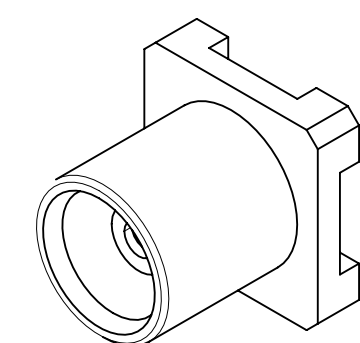


**MATERIALS & FINISHES:**

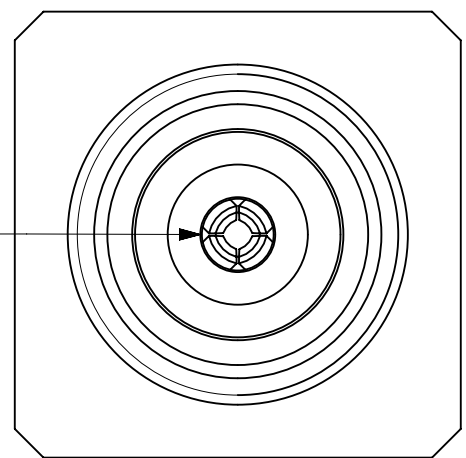
**BODY: BRASS**  
**PLATING SEE TABLE**

**CONTACT: BERYLLIUM COPPER**  
**GOLD (30µ-in MIN)**

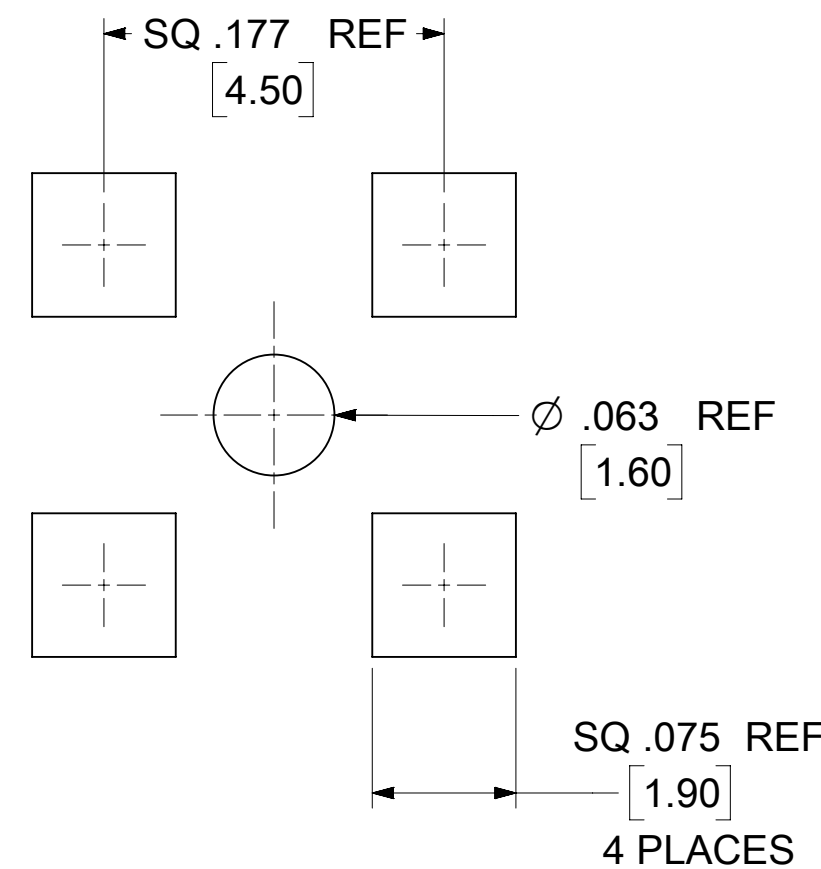
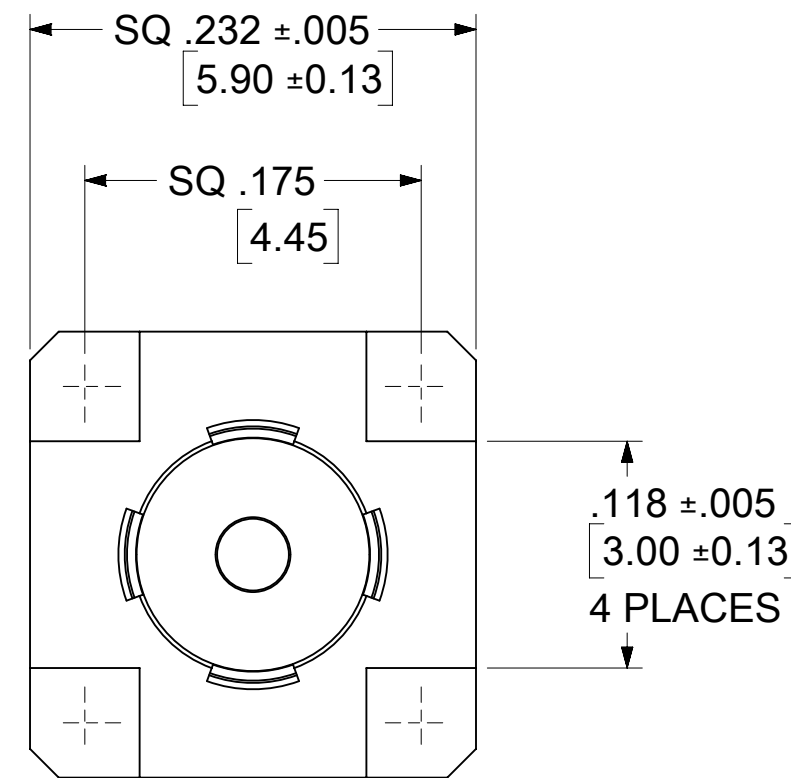
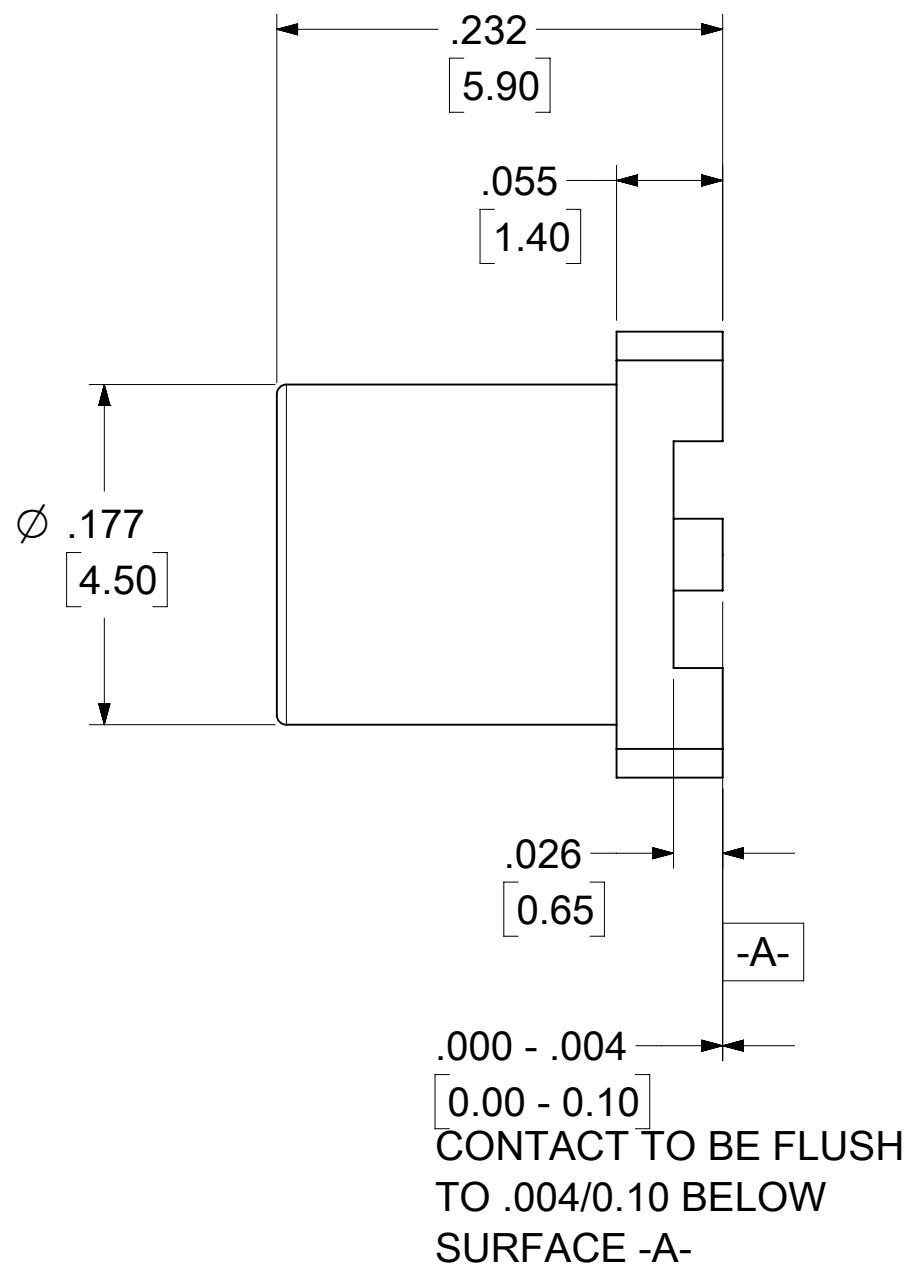
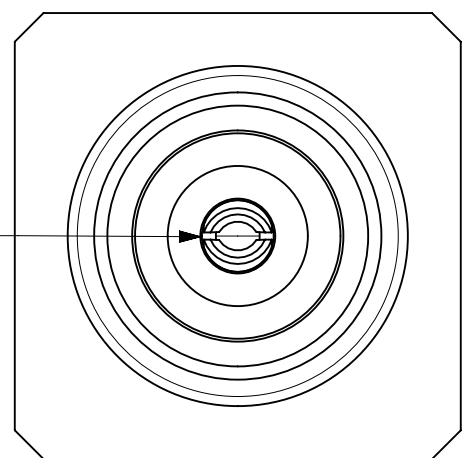
**INSULATOR: TEFLON**



**NOTE:**  
 73415-1696 & 73415-1697  
 WITH 4 SLOTS CONTACT



**NOTE:**  
 73415-1690 & 73415-1691 &  
 73415-1692 & 73415-1693 &  
 73415-1694 & 73415-1695 &  
 73415-1698 & 73415-1699 &  
 73366-6510  
 WITH 2 SLOTS CONTACT



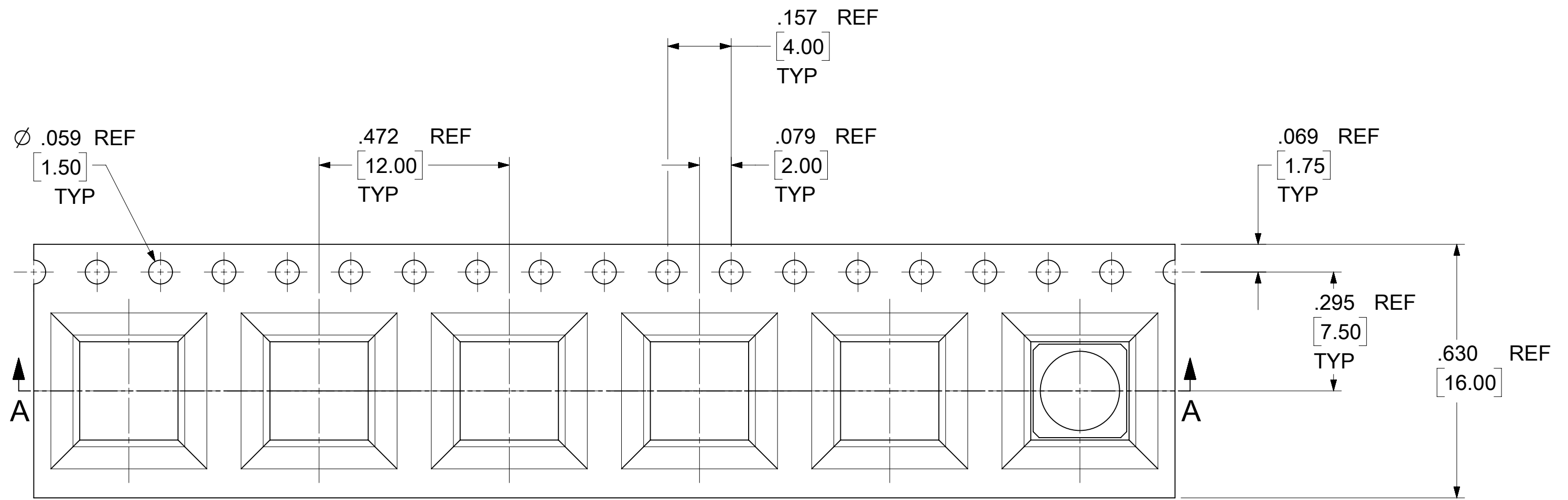
**RECOMMENDED MOUNTING PATTERN**

73366-6510	GOLD (1µ-in MIN)	2 SLOTS	73415-1691 TAPE & REEL WITH KAPTON	750 PCS PER REEL	SHEET 2, 3 & 4
73415-1699	GOLD (1µ-in MIN)	2 SLOTS	73416-1691 ONE PER BAG	1 PCS PER BAG	895420089
73415-1698	GOLD (30µ-in MIN)	2 SLOTS	73415-1698 TAPE & REEL WITH KAPTON	750 PCS PER REEL	SHEET 2, 3 & 4
73415-1697	GOLD (1µ-in MIN)	4 SLOTS	73415-1696 TAPE & REEL WITH KAPTON	750 PCS PER REEL	SHEET 2, 3 & 4
73415-1696	GOLD (1µ-in MIN)	4 SLOTS	73415-1696 BAG	500 PCS PER BAG	895420601
73415-1695	NICKEL	2 SLOTS	73415-1690 TAPE & REEL WITH KAPTON	750 PCS PER REEL	SHEET 2, 3 & 4
73415-1694	GOLD (1µ-in MIN)	2 SLOTS	73416-1691 SMALL TRAY	20 PCS PER TRAY	895420200
73415-1693	NICKEL	2 SLOTS	73415-1690 SMALL TRAY	20 PCS PER TRAY	895420200
73415-1692	GOLD (1µ-in MIN)	2 SLOTS	73415-1691 TAPE & REEL WITH KAPTON	750 PCS PER REEL	SHEET 2, 3 & 4
73415-1691	GOLD (1µ-in MIN)	2 SLOTS	73415-1691 BAG	500 PCS PER BAG	895420161
73415-1690	NICKEL	2 SLOTS	73415-1690 BAG	500 PCS PER BAG	895420161
<b>PART NO.</b>	<b>BODY PLATING</b>	<b>CONTACT</b>	<b>DESCRIPTION</b>	<b>QUANTITY</b>	<b>PACKING SPEC</b>

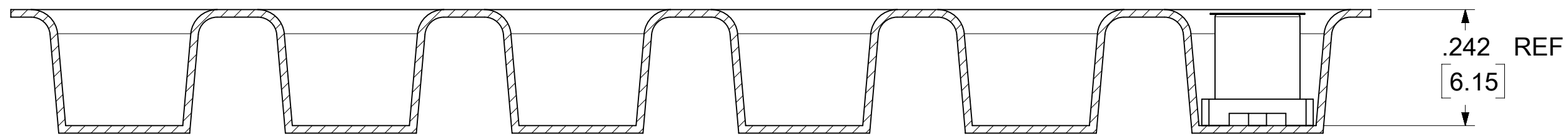
PS-89675-183	ELEC/MECH PERFORMANCE
SPECIFICATION	DESCRIPTION

THIS DRAWING CONTAINS INFORMATION THAT IS PROPRIETARY TO MOLEX ELECTRONIC TECHNOLOGIES, LLC AND SHOULD NOT BE USED WITHOUT WRITTEN PERMISSION

DIMENSION UNITS <b>INCH/MM</b>	SCALE <b>NTS</b>	CURRENT REV DESC: ADD PACKING SPEC PER EWR #15848-A	<b>molex</b>		
GENERAL TOLERANCES (UNLESS SPECIFIED)		EC NO: 750290			
4 PLACES	±	DRWN: RYEH	PRODUCT CUSTOMER DRAWING		
3 PLACES	±	2023/05/10			
2 PLACES	± 0.25	CHK'D: YCHENG	DOC TYPE <b>PSD</b>		
1 PLACE	±	APPR: YCHENG			
0 PLACES	±	INITIAL REVISION:	REVISION <b>B7</b>		
ANGULAR TOL	± 2.0 °	DRWN: YCHENG			
DRAFT WHERE APPLICABLE MUST REMAIN WITHIN DIMENSIONS		APPR: MHUANG	CUSTOMER GENERAL MARKET		
THIRD ANGLE PROJECTION		DRAWING <b>C-SIZE</b>			
		SERIES <b>73415</b>			

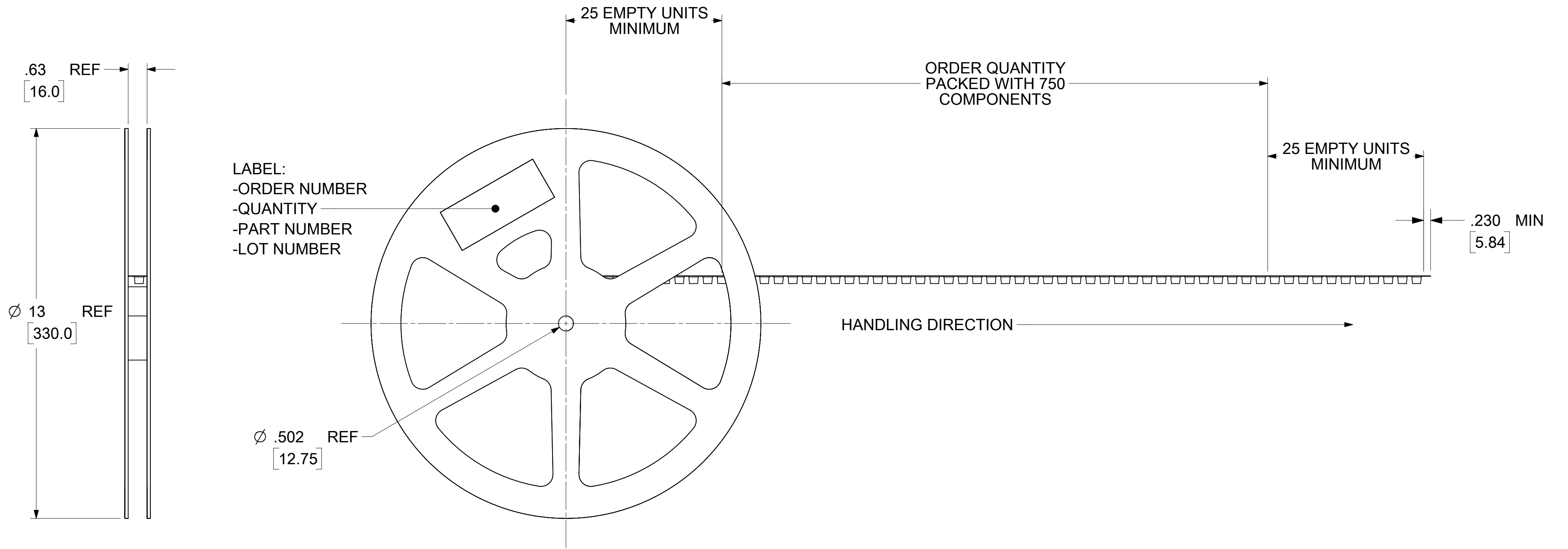


VIEWS FOR 73415-1692 & 73415-1695 & 73415-1697 & 73415-1698 & 73366-6510

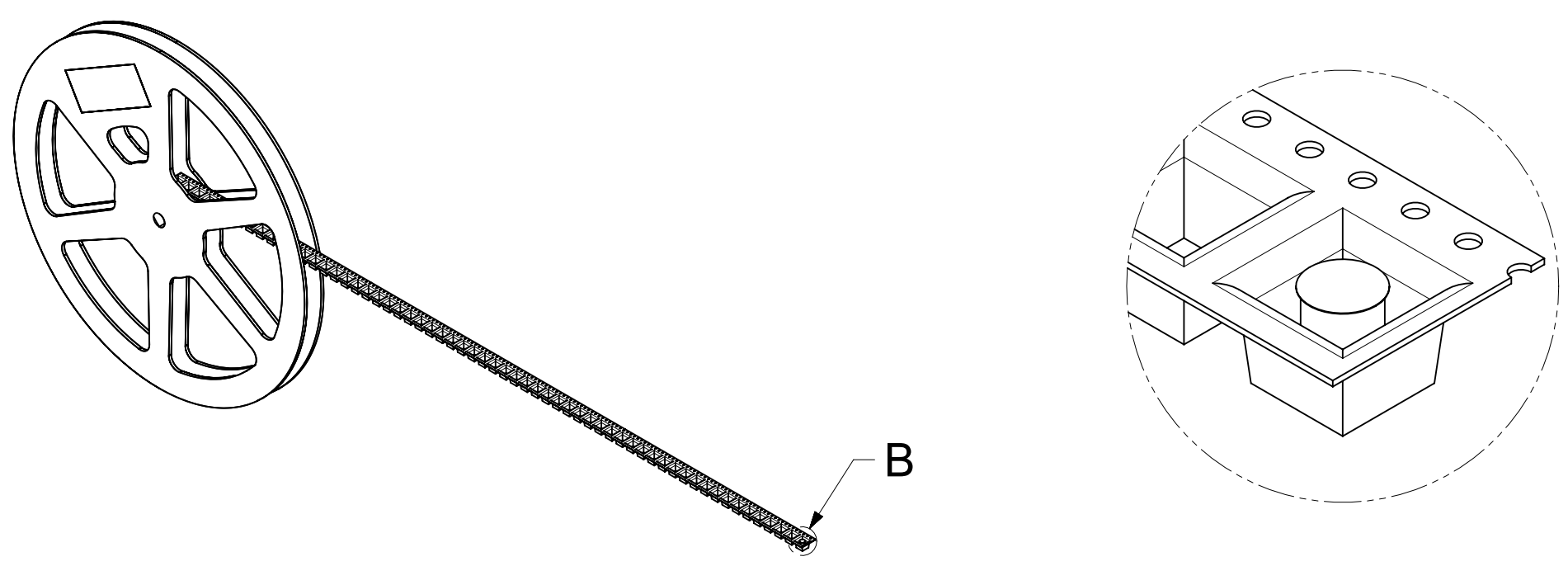


SECTION A-A

THIS DRAWING CONTAINS INFORMATION THAT IS PROPRIETARY TO MOLEX ELECTRONIC TECHNOLOGIES, LLC AND SHOULD NOT BE USED WITHOUT WRITTEN PERMISSION										
DIMENSION UNITS <b>INCH/MM</b>		SCALE <b>NTS</b>		CURRENT REV DESC: ADD PACKING SPEC PER EWR #15848-A			<b>molex</b>			
GENERAL TOLERANCES (UNLESS SPECIFIED)				EC NO: 750290						MCX PCB/SMT JACK 50 OHM MCX-J/PCB/SMT EWR-1148
4 PLACES		±	±	DRWN: RYEH			2023/05/10			
3 PLACES		±	± 0.01	CHK'D: YCHENG			2023/05/24			
2 PLACES		± 0.25	±	APPR: YCHENG			2023/05/24			
1 PLACE		±	±	INITIAL REVISION:			DOCUMENT NUMBER			
0 PLACES		±	±	DRWN: YCHENG			SD-73415-169			
ANGULAR TOL		± 2.0 °		APPR: MHUANG			PSD 001 B7			
DRAFT WHERE APPLICABLE MUST REMAIN WITHIN DIMENSIONS				THIRD ANGLE PROJECTION		DRAWING	SERIES	MATERIAL NUMBER	CUSTOMER	SHEET NUMBER
						C-SIZE	73415	SEE TABLE	GENERAL MARKET	2 OF 4



VIEWS FOR 73415-1692 & 73415-1695 & 73415-1697 & 73415-1698 & 73366-6510



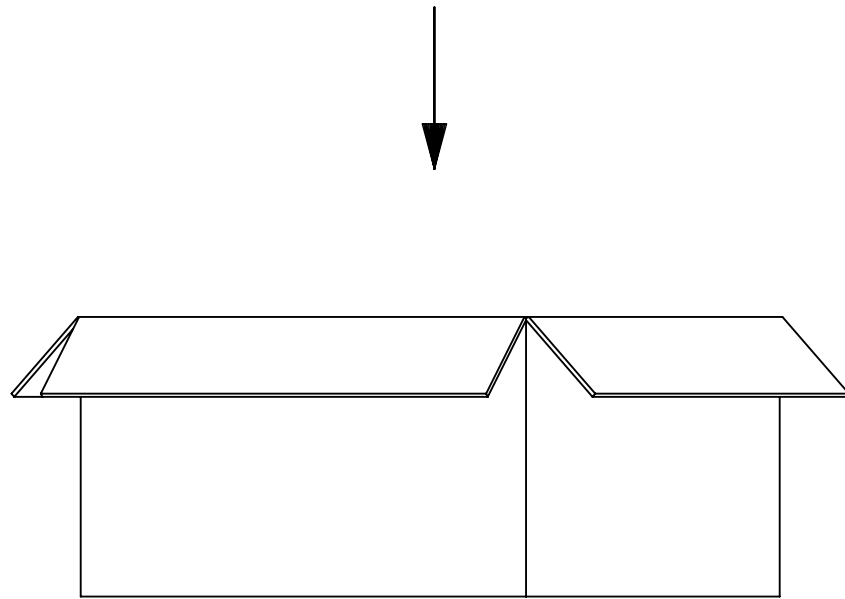
DETAIL B

THIS DRAWING CONTAINS INFORMATION THAT IS PROPRIETARY TO MOLEX ELECTRONIC TECHNOLOGIES, LLC AND SHOULD NOT BE USED WITHOUT WRITTEN PERMISSION										
DIMENSION UNITS <b>INCH/MM</b>		SCALE <b>NTS</b>		CURRENT REV DESC: ADD PACKING SPEC PER EWR #15848-A			<b>molex</b>			
GENERAL TOLERANCES (UNLESS SPECIFIED)				EC NO: 750290						MCX PCB/SMT JACK 50 OHM MCX-J/PCB/SMT EWR-1148
		MM	INCH	DRWN: RYEH 2023/05/10			PRODUCT CUSTOMER DRAWING			
4 PLACES		±	±	CHK'D: YCHENG 2023/05/24			DOCUMENT NUMBER			
3 PLACES		±	± 0.01	APPR: YCHENG 2023/05/24			SD-73415-169			
2 PLACES		± 0.25	±	INITIAL REVISION:			DOC TYPE   DOC PART   REVISION			
1 PLACE		±	±	DRWN: YCHENG 2007/02/08			PSD   001   B7			
0 PLACES		±	±	APPR: MHUANG 2007/02/09			MATERIAL NUMBER   CUSTOMER   SHEET NUMBER			
ANGULAR TOL		± 2.0 °		THIRD ANGLE PROJECTION		DRAWING	SERIES	SEE TABLE	GENERAL MARKET	3 OF 4
DRAFT WHERE APPLICABLE MUST REMAIN WITHIN DIMENSIONS						C-SIZE	73415			

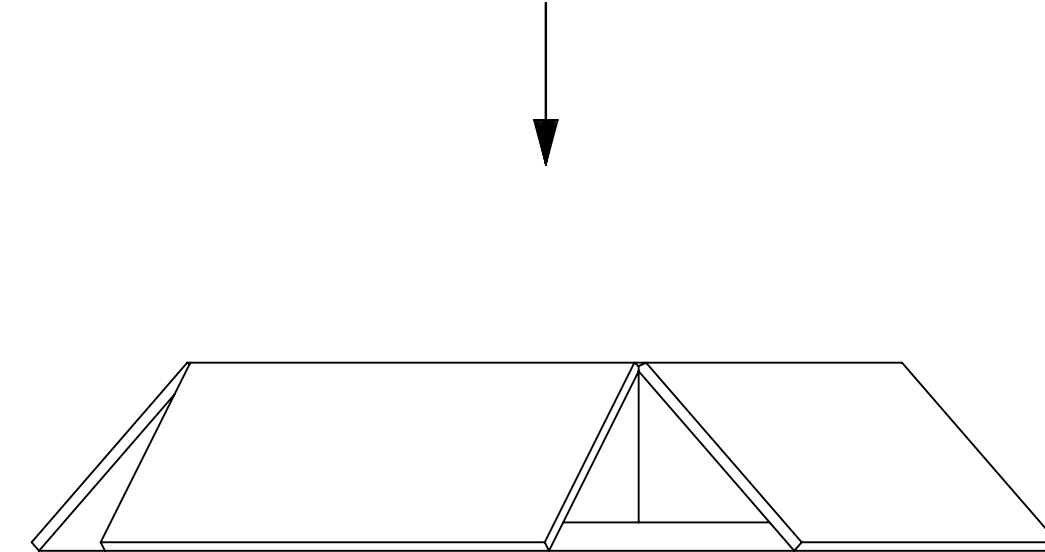
DOCUMENT STATUS	P1	RELEASE DATE	2023/05/24	11:34:23
-----------------	----	--------------	------------	----------

73415-1698	73415-1698 TAPE & REEL WITH KAPTON	750 PCS	6000 PCS
73415-1697	73415-1696 TAPE & REEL WITH KAPTON	750 PCS	6000 PCS
73415-1695	73415-1690 TAPE & REEL WITH KAPTON	750 PCS	6000 PCS
73415-1692	73415-1691 TAPE & REEL WITH KAPTON	750 PCS	6000 PCS
PART NO.	DESCRIPTION	QTY/REEL	QTY/CARTON

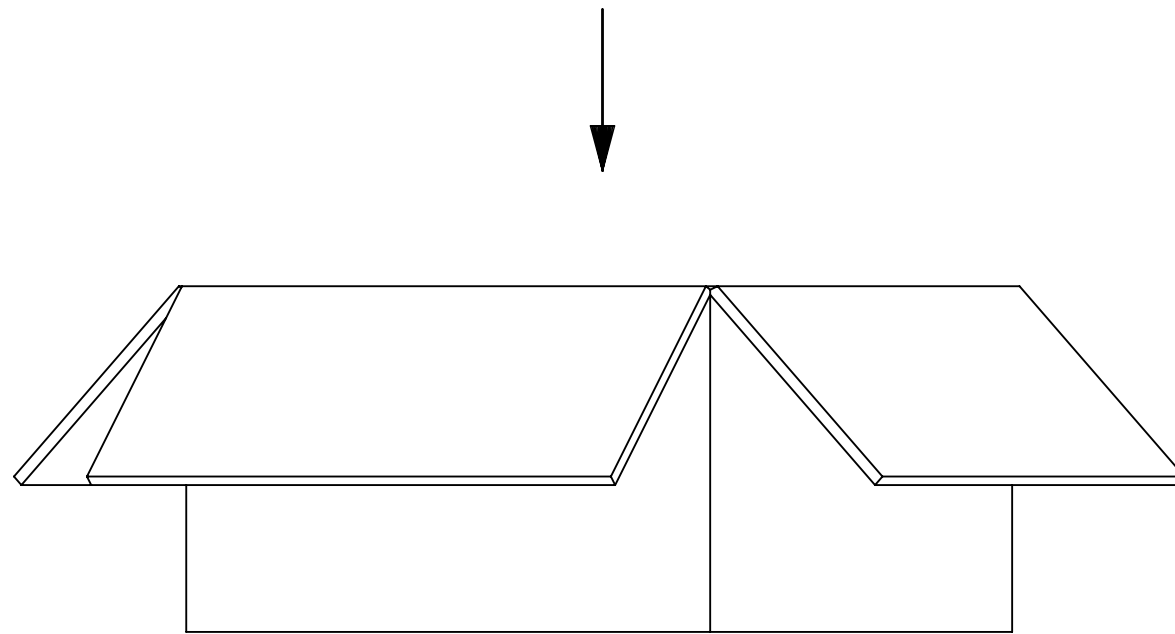
73366-6510	73415-1691 TAPE & REEL WITH KAPTON	750 PCS	750 PCS
PART NO.	DESCRIPTION	QTY/REEL	QTY/CARTON



8 REELS PER INNER CARTON BOX  
(8 X 750 = 6000 PCS)



1 REEL PER CARTON BOX  
(1 X 750 = 750 PCS)



8 REELS PER OUTER CARTON BOX  
(8 X 750 = 6000 PCS)

THIS DRAWING CONTAINS INFORMATION THAT IS PROPRIETARY TO MOLEX ELECTRONIC TECHNOLOGIES, LLC AND SHOULD NOT BE USED WITHOUT WRITTEN PERMISSION									
DIMENSION UNITS		SCALE		CURRENT REV DESC: ADD PACKING SPEC PER EWR #15848-A				<b>molex</b>	
INCH/MM		NTS							
GENERAL TOLERANCES (UNLESS SPECIFIED)				EC NO: 750290 DRWN: RYEH 2023/05/10 CHK'D: YCHENG 2023/05/24 APPR: YCHENG 2023/05/24 INITIAL REVISION: DRWN: YCHENG 2007/02/08 APPR: MHUANG 2007/02/09				MCX PCB/SMT JACK 50 OHM MCX-J/PCB/SMT EWR-1148	
4 PLACES		±	±					PRODUCT CUSTOMER DRAWING	
3 PLACES		±	± 0.01					DOCUMENT NUMBER	
2 PLACES		± 0.25	±					SD-73415-169	
1 PLACE		±	±					DOC TYPE	
0 PLACES		±	±	DOC PART					
ANGULAR TOL		± 2.0 °		REVISION		PSD 001 B7			
DRAFT WHERE APPLICABLE MUST REMAIN WITHIN DIMENSIONS				THIRD ANGLE PROJECTION		DRAWING		SERIES	
						C-SIZE		73415	
DOCUMENT STATUS				MATERIAL NUMBER		CUSTOMER		SHEET NUMBER	
P1				SEE TABLE		GENERAL MARKET		4 OF 4	
RELEASE DATE									
2023/05/24 11:34:23									