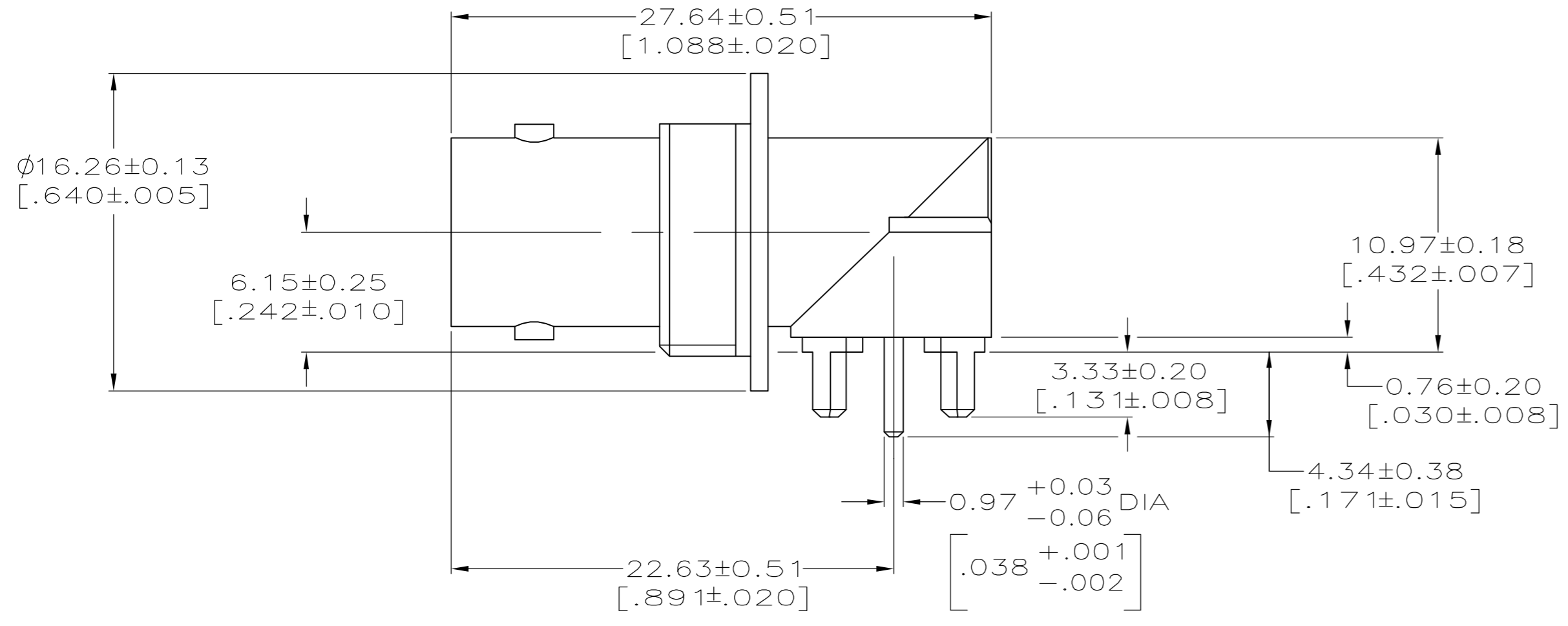
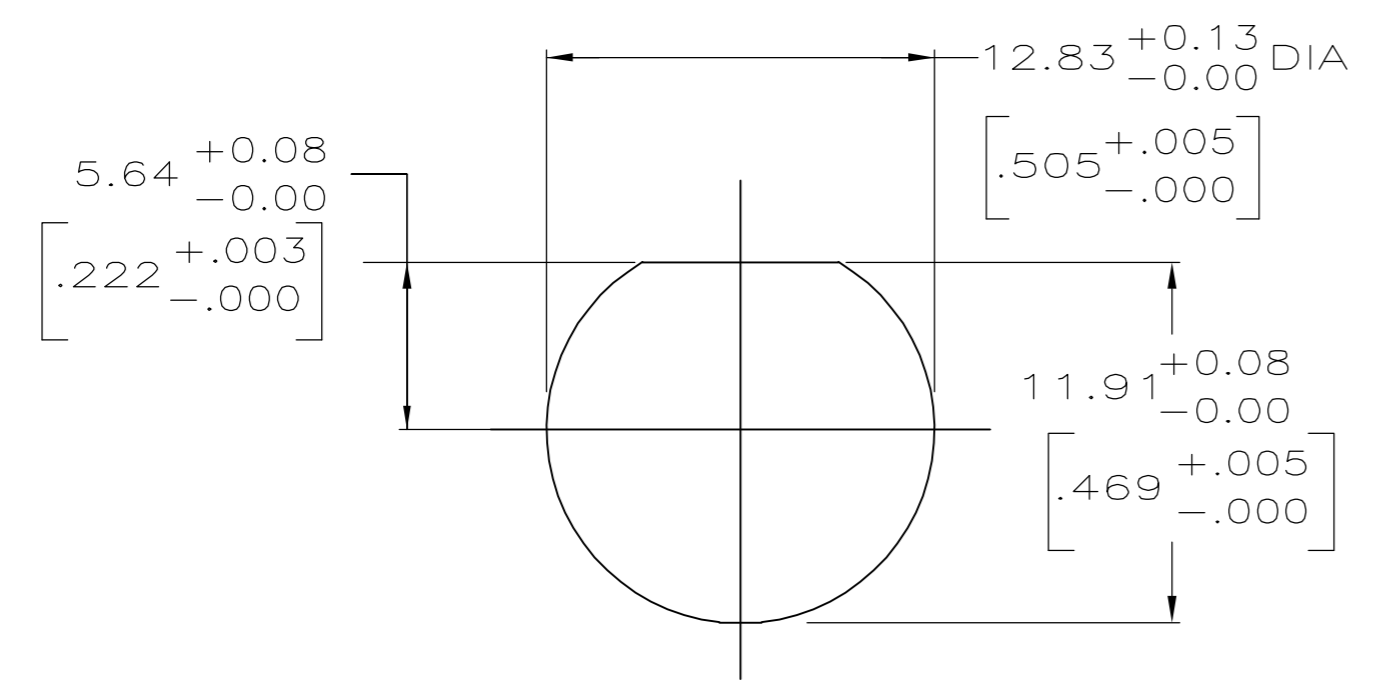
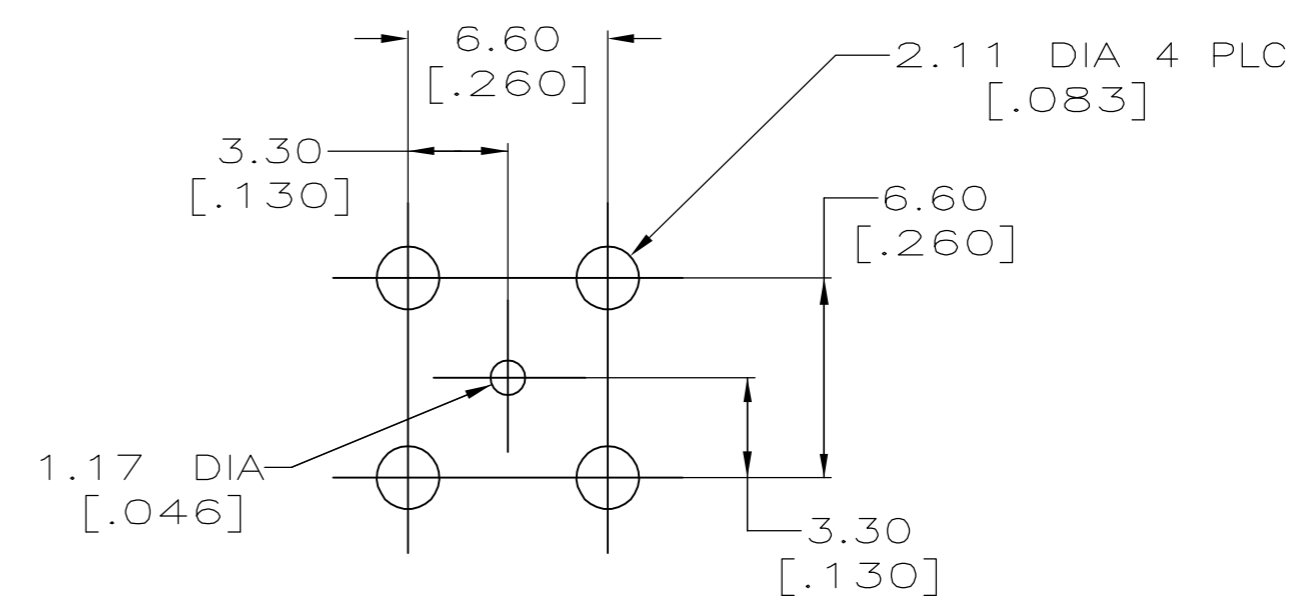
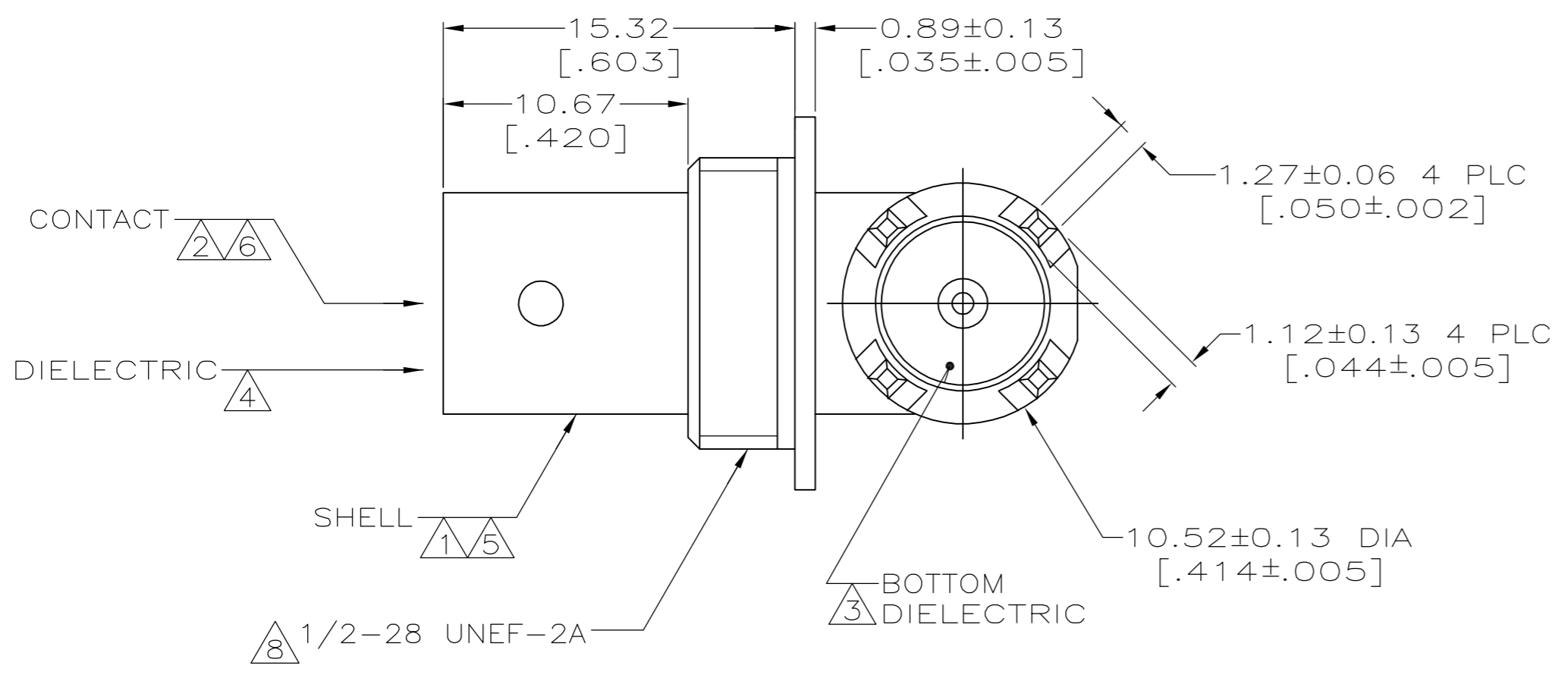


THIS DRAWING IS UNPUBLISHED. RELEASED FOR PUBLICATION
 © COPYRIGHT BY TYCO ELECTRONICS CORPORATION. ALL RIGHTS RESERVED.

| LOC | | DIST | | REVISIONS | | | |
|-----|-----|-------------|-----------------------|-----------|------|----|--|
| P | LTR | DESCRIPTION | DATE | DWN | APVD | | |
| AJ | 00 | A | REV PER ECO 06-024121 | 1/29/2007 | DW | JL | |



- ① ZINC PER QQ-Z-363
- ② BERYLLIUM COPPER PER ASTM-B-197
- ③ PTFE PER MIL-P-19468
- ④ POLYMETHYLPENTENE, GENERAL PURPOSE
- ⑤ TIN PLATE PER ASTM-B-545, 3.81 μ m [$.000150$] MIN THICK.
- ⑥ GOLD PLATE PER MIL-G-45204, 0.76 μ m [$.000030$] MINIMUM THICKNESS
- ⑦ INTERFACE PER MIL-C-39012
- ⑧ MODIFIED MAJOR DIAMETER TO 12.29 [$.484$]



RECOMMENDED PANEL CUTOUT

PCB CONFIGURATION

5415373-1
 PART NUMBER

| | | | | |
|--|--|--|---|--|
| THIS DRAWING IS A CONTROLLED DOCUMENT. | | DWN G. ATTADIA - DOCK5 01FEB2005 | Tyco Electronics Corporation Harrisburg, PA 17105-3608 | |
| DIMENSIONS: mm [INCHES] | | CHK J. HAVENER 01FEB2005 | NAME JACK, PCB, RIGHT ANGLE, 75 OHM, BNC | |
| TOLERANCES UNLESS OTHERWISE SPECIFIED: | | APVD J. LIPPERT 01FEB2005 | PRODUCT SPEC | |
| 0 PLC ± - | | APPLICATION SPEC | | |
| 1 PLC ± - | | WEIGHT - | | |
| 2 PLC ± 0.08 [.003] | | SIZE A2 | | |
| 3 PLC ± - | | CAGE CODE 00779 | | |
| 4 PLC ± - | | DRAWING NO C=5415373 | | |
| ANGLES ± - | | RESTRICTED TO - | | |
| FINISH | | SCALE 4:1 | | |
| SEE NOTES | | SHEET 1 of 1 | | |
| SEE NOTES | | REV A | | |
| CUSTOMER DRAWING | | | | |