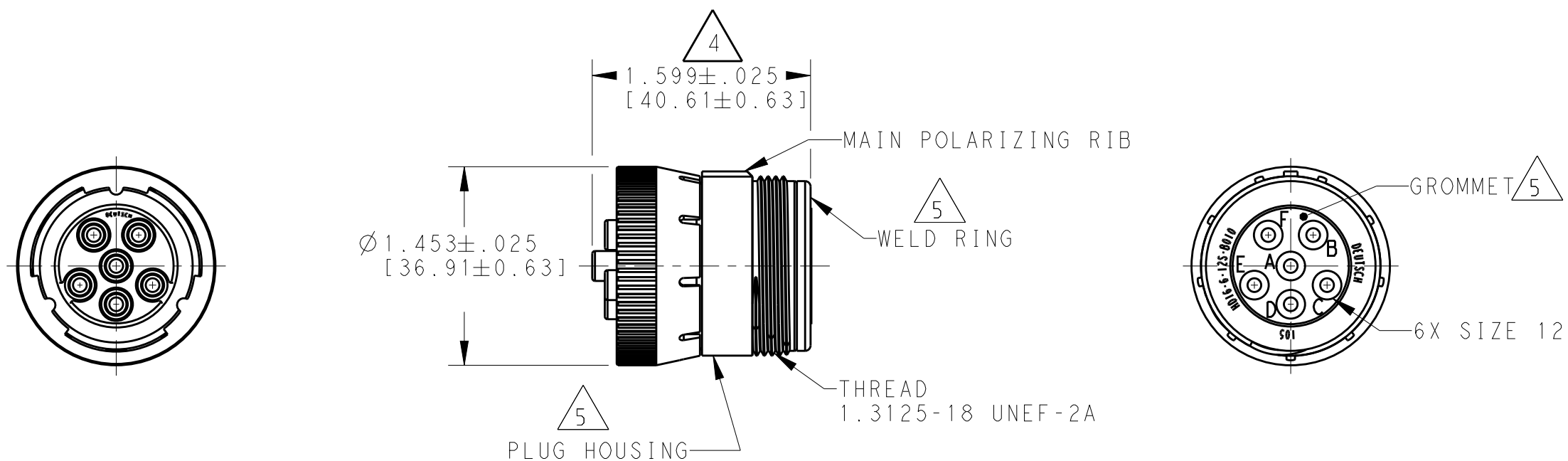
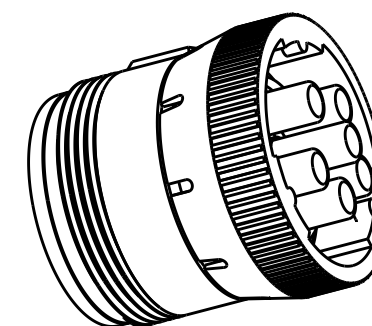


THIS DRAWING IS UNPUBLISHED  
 RELEASED FOR PUBLICATION 2013  
 © COPYRIGHT 2013 BY TE CONNECTIVITY. ALL RIGHTS RESERVED.

LOC	DIST	REVISIONS			
P	LTR	DESCRIPTION	DATE	DWN	APVD
-	-	C1	REVISED PER ECO-14-002953	29JAN2014	PV DM
-	-	C2	REVISED PER ECO-16-016568	20OCT2016	KR DM



- 5 MATERIAL:  
 PLUG HOUSING AND WELD RING: PA 15%GF (GREY)  
 GROMMET: SILICONE (RED)
- 4. OVERALL DIMENSION DOES NOT INCLUDE RUBBER GROMMET.
- 3. THIS PLUG MATES WITH RECEPTACLE  
 (X=SEAL TYPE, XXXX= ALL MODIFICATIONS).  
 HD10-6-12PX-XXXX  
 HD14-6-12PX-XXXX
- 2. SEE DRAWING 0425-015-0000 FOR CONTACT AND WIRE  
 PERFORMANCE AND APPLICATION CHARACTERISTICS.



**3D VIEW**

1. SEE TABLE FOR USABLE WIRE RANGE AND INSULATION RANGE.

CONTACT SIZE	MINIMUM O.D.	MAXIMUM O.D.	WIRE RANGE [mm <sup>2</sup> ] <sup>2</sup>
12	.134 [3.40]	.170 [4.31]	10-14 AWG [6.0-2.0mm <sup>2</sup> ]

NOTES:

THIS DRAWING IS A CONTROLLED DOCUMENT.		DWN R. OCHOA 9AUG1999	TE INTERNAL PN HD16-6-12S-B010		DEUTSCH PN HD16-6-12S-B010												
DIMENSIONS: INCHES [mm]		CHK I. GRANTCHAROVA 18SEP2013															
TOLERANCES UNLESS OTHERWISE SPECIFIED:		APVD D. MEYER 19SEP2013															
<table border="0"> <tr> <td>0 PLC</td> <td>±</td> </tr> <tr> <td>1 PLC</td> <td>±</td> </tr> <tr> <td>2 PLC</td> <td>±</td> </tr> <tr> <td>3 PLC</td> <td>±.025 [0.64]</td> </tr> <tr> <td>4 PLC</td> <td>±</td> </tr> <tr> <td>ANGLES</td> <td>±0° 30' 0"</td> </tr> </table>		0 PLC	±	1 PLC	±	2 PLC	±	3 PLC	±.025 [0.64]	4 PLC	±	ANGLES	±0° 30' 0"	PRODUCT SPEC -	NAME PLUG CONNECTOR HD10 SERIES 6-12S ARRANGEMENT COLOR: GREY		
0 PLC	±																
1 PLC	±																
2 PLC	±																
3 PLC	±.025 [0.64]																
4 PLC	±																
ANGLES	±0° 30' 0"																
MATERIAL <sup>5</sup>		FINISH -	APPLICATION SPEC -	SIZE A3	CAGE CODE 4AFU8	DRAWING NO. HD16-6-12S-B010											
		WEIGHT 30.40 (g)	RESTRICTED TO -	SCALE 1:1 SHEET 1 OF 1 REV C2													
		Customer Drawing															