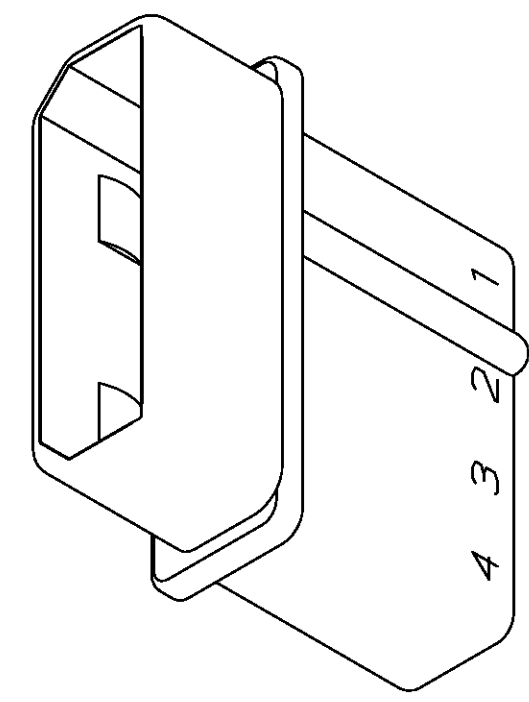
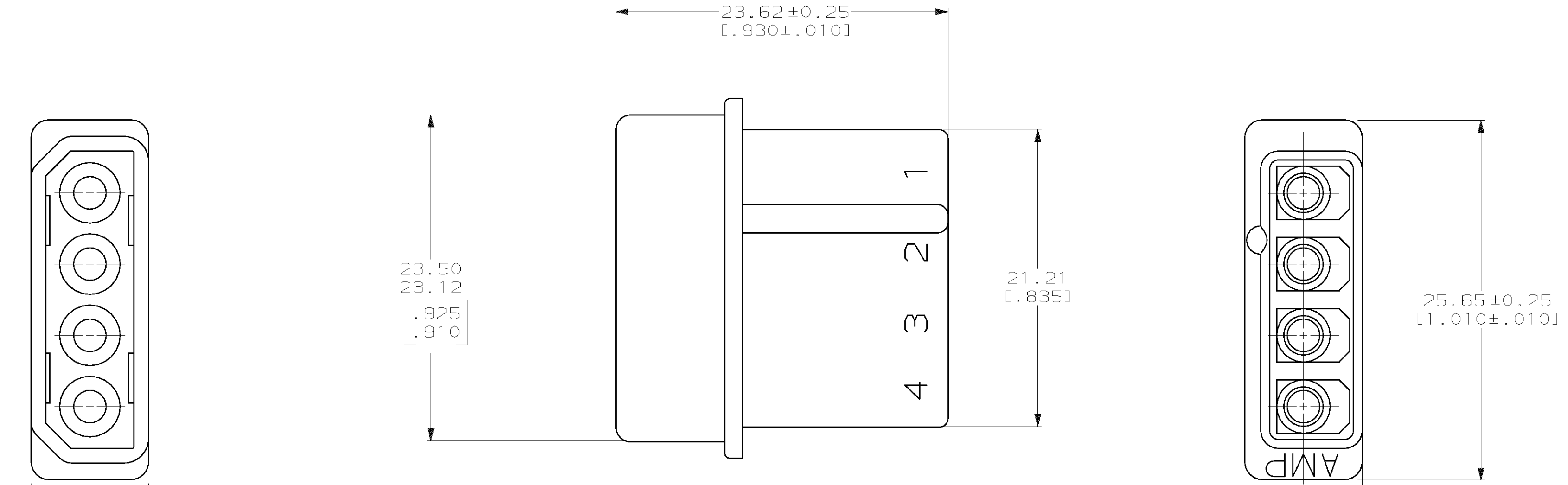


THIS DRAWING IS UNPUBLISHED. RELEASED FOR PUBLICATION, 19 .
 © COPYRIGHT 19 BY AMP INCORPORATED. ALL INTERNATIONAL RIGHTS RESERVED.

LOC		DIST		P		F		ZONE		LTR	REVISIONS		DATE	APPD
CM	53										0	RLSD PER PR CM 96-118	10-30-96	BL RS

1. THIS CAP TO BE USED WITH PLUG NO. 770827.
2. TO BE USED WITH APPROPRIATE COMMERCIAL MATE-N-LOK™ PINS.
3. DIMENSIONS IN BRACKETS ARE IN INCHES.



3-DIMENSIONAL MODELS
NTS

METRIC

THIS DRAWING IS A CONTROLLED DOCUMENT FOR AMP INCORPORATED. IT IS SUBJECT TO CHANGE AND THE CONTROLLING ENGINEERING ORGANIZATION SHOULD BE CONTACTED FOR THE LATEST REVISION.

DO NOT SCALE PRINT. UNLESS SPECIFIED DIMENSIONS IN mm [INCHES] TOLERANCES ON : 2 PLC DEC ± 0.13 [.005] 3 PLC DEC ± - ANGLES ± -		DR 10-30-96 B. LEWIS	AMP Incorporated Harrisburg, PA 17105-3608		
MATERIAL UL94V-0, NYLON NATURAL		CHK 10-30-96 R. SWING			
FINISH -		APPD 10-30-96 C. MARTIN	DRAWING NO C=794132		
		APPD 10-30-96 C. MARTIN	SIZE C	CAGE CODE 00779	SHEET 1 OF 1
		PRODUCT SPEC -	SCALE 4:1	CUSTOMER DRAWING	
		APPLICATION SPEC -			
		WEIGHT -			

794132-1
PART NO