



## Specifications

Electrical Ratings	50mA @ 50VDC	Dielectric Strength	1000Vrms min
Electrical Life	100,000 cycles typical	Insulation Resistance	≥ 100MΩ min
Contact Resistance	≤ 50mΩ initial	Operating Temperature	-40°C to +85°C
Actuation Force	160gF ± 50gF 260gF ± 50gF	Storage Temperature	-40°C to +85°C
Actuation Travel	.25 ± 0.1mm		

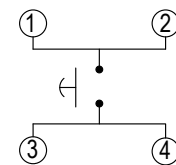
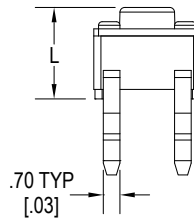
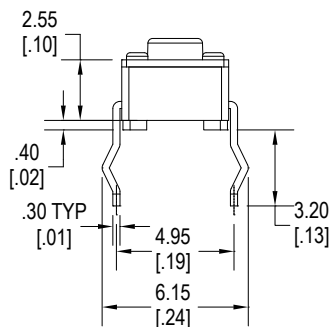
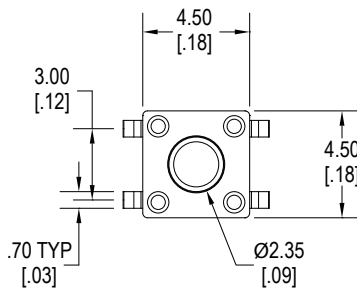
## Materials

Actuator	6/6 Nylon
Base	6/6 Nylon
Cover	Polyester
Contacts	Phosphor Bronze, Silver Plated
Terminals	Brass, Silver Plated

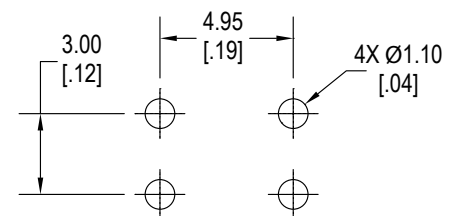
## Ordering Information

1. Series	CT1104	3.8	F160
	CT1104		
2. Actuation Length "L"	3.8 = 3.8mm		
3. Actuation Force	F160 = 160gF F260 = 260gF		

## Dimensions



**Schematic**



**PC Layout**