

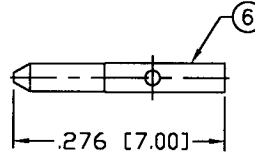
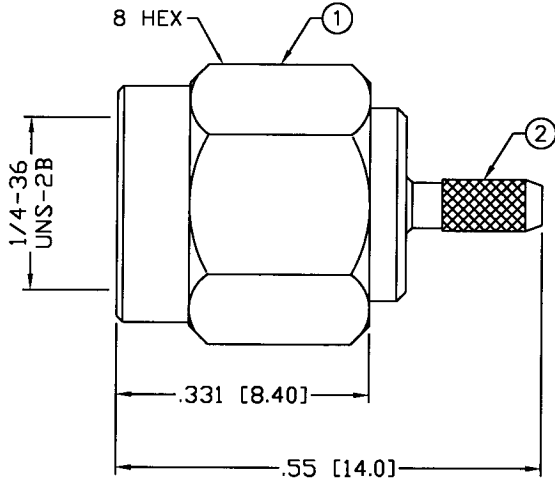
THIS DRAWING CONTAINS INFORMATION PROPRIETARY TO RF INDUSTRIES.
 ANY UNAUTHORIZED USE OF THIS DRAWING IS EXPRESSLY PROHIBITED
 WITHOUT WRITTEN PERMISSION FROM RF INDUSTRIES.
 ANY VIOLATION IS PUNISHABLE UNDER U.S. COPYRIGHT LAWS.

ALL DIMENSIONS ARE REFERENCE ONLY

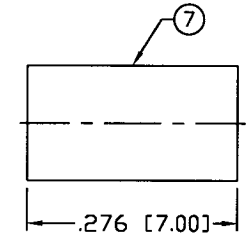
PART NO.

RSA-3000-A

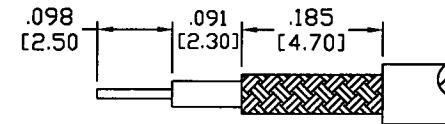
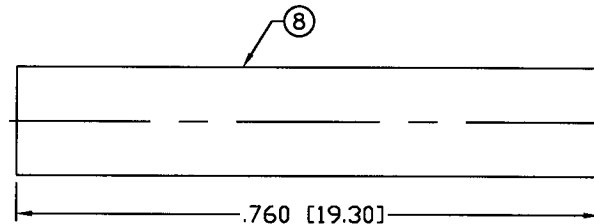
REV	DESCRIPTION	DWN	DATE	APPROVED
-	ENGINEERING RELEASE	CZS	6/29/00	JDMc



SOLDER PIN RECOMMENDED
OR CRIMP WITH RFA-4089



CRIMP DIE SIZE: .130"



RECOMMENDED STRIPPING DIMENSIONS

SPECIFICATIONS:

IMPEDANCE: 50 OHMS
 FOR RG-178, 178A, 178B, 196 & 196A/U CABLE

1	SHELL	1	BRASS	NICKEL, 100 MICRO
2	BODY	1	BRASS	NICKEL, 100 MICRO
3	INSULATOR	1	PTFE	---
4	RETAINING RING	1	Be. Cu.	---
5	GASKET	1	SILICONE	RED
6	PIN	1	BRASS	GOLD, 50 MICRO
7	FERRULE	1	COPPER	NICKEL, 100 MICRO
8	SHRINK TUBING	1	---	---

008974

UNLESS OTHERWISE SPECIFIED:

1. REMOVE ALL BURRS
2. BREAK ALL CORNERS & EDGES .005 R. MAX.
3. CHAMFER 1ST & LAST THREADS 45°
4. SURFACE ROUGHNESS 63 FINISH MIL-STD-10
5. DIAMETERS ON COMMON CENTERS TO BE CONCENTRIC WITHIN .002 T.I.R.
6. ALL DIMENSIONS ARE AFTER PLATING.

DIMENSIONS ARE IN INCHES
 AND [MILLIMETERS]

UNLESS OTHERWISE NOTED
 TOLERANCES ARE:

DECIMALS	DIAMETER
.xxx±.003 [.08]	.xxx±.001 [.03]
.xx±.005 [.13]	.xx±.003 [.08]

RF connectors
 DIVISION OF RF INDUSTRIES, LTD.

7610 MIRAMAR RD
 SAN DIEGO, CA 92126
 (858) 549-6340
 (858) 549-6345 FAX

SMA PLUG, CRIMP

SIZE	CABLE GROUP	DWG NO.	REV
A	A	RSA-3000-A	-
SCALE: NTS		CAD FILE OUTLINE	SHEET 1 OF 1

#	DESCRIPTION	QTY	MATRL	FINISH	APPROVALS	DATE

DRAWN	C. ZUNIGA	3/12/01
CHECKED	<i>JDM</i>	3-12-01
ORJ DRAWN	C. ZUNIGA	3/12/01