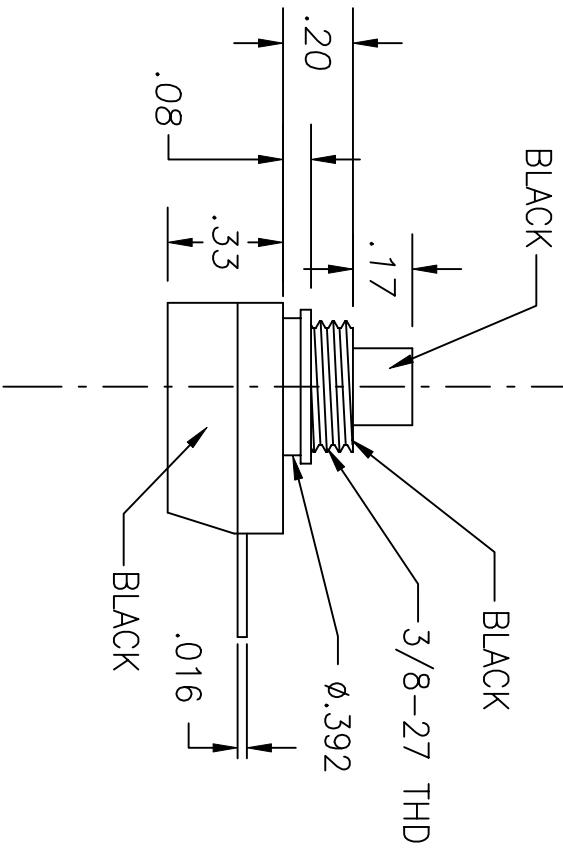
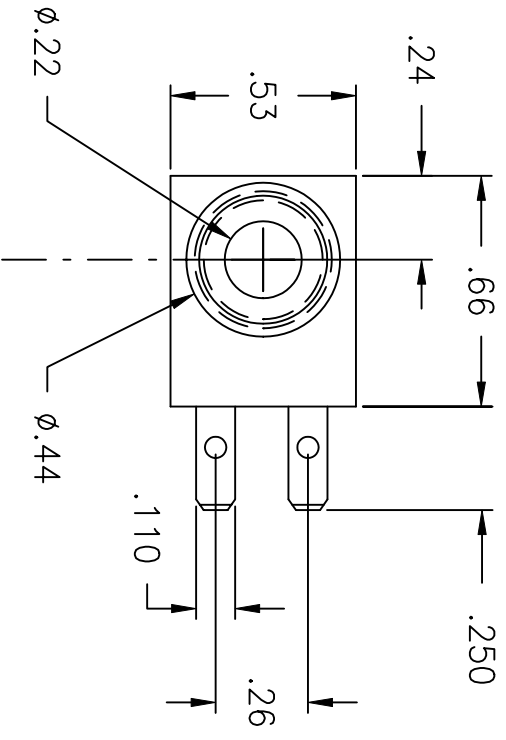


LTR	EN	DESCRIPTION	APPR	BY	DATE
A	-	INITIAL RELEASE	RB	DC	09-18-06
A1	-	ADDED ELECTRICAL RATING ON SWITCH DESCRIPTION.	RB	DC	11-06-06



JUDCO INVENTORY NO:40-4520-00
 SWITCH TYPE: PUSH ON-PUSH OFF, SPST
 ELECTRICAL RATING: 14 VDC, 10A, NON-UL
 NUTS ARE PACKED SEPARATELY.

CUSTOMER : DIGI-KEY
 CUSTOMER PN: TBD

APPROVED BY: _____
 DATE: _____

DIMENSIONS IN INCHES DIMENSIONS ARE REFERENCE		 HARBOR CITY CALIFORNIA
DRAWN: DC 09-18-06		
APPR: KJ 11-06-06	DWG. NO. 1415-1021	TITLE J-188B-1 STRAIGHT TERM
1415U1021A1.DWG	SHEET 1 OF 1	OUTLINE 1415-1021

This document embodies a product, component, and/or design proprietary to JUDCO MANUFACTURING INC., and which is protected either as a trade secret, by U.S. Patent, or by copyright. It may not be used in any way without written express consent of JUDCO MANUFACTURING INC.