



- 2500 Base-T for Ethernet Applications
- Designed to support SOHO (ADSL modems), LOM, Hub, and Switches.
- Meets IEEE 802.3at Specification
- PoE++ for applications with up to 1.2A current capability
- Operating Temperature Range: -40°C to +85°C

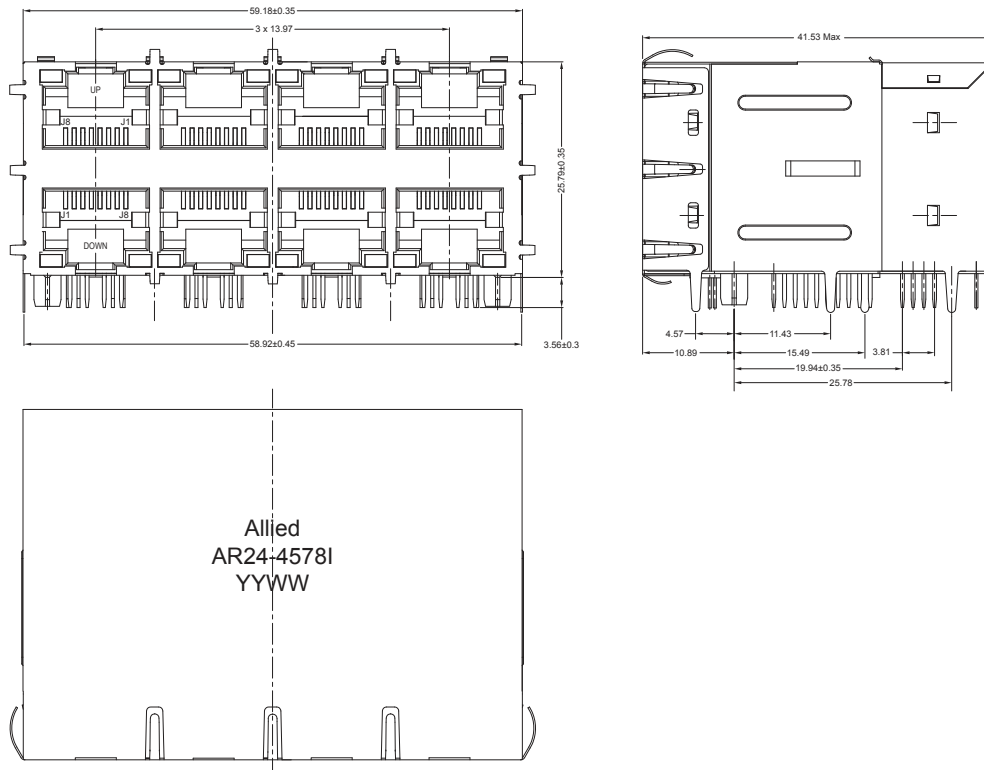
Electrical Specifications @ 25°C					
OCL(μH Min) @ 100kHz, 0.1V With 11mA DC Bias	Turns Ratio (±2%)	Insertion Loss (dB Max)		Return Loss (dB Min)	
		1-50MHz	50-125MHz	1-40MHz	40-200MHz
120	1CT : 1CT	-0.5	-1.0	-20	-20+15log ₁₀ (f/40MHz)

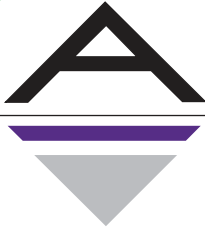
Electrical Specifications @ 25°C					
Cross Talk (dB Min)	CMR (dB Min)	CDMR (dB Min)	DC Current/Voltage Rating (A) Max @54V Continuous	Hi-Pot @ 60 Sec	
				Vac	Vdc
1-125MHz -30	30-200MHz -30	10-125MHz -45+f/35	1.2	1500	2250

All specifications subject to change without notice.

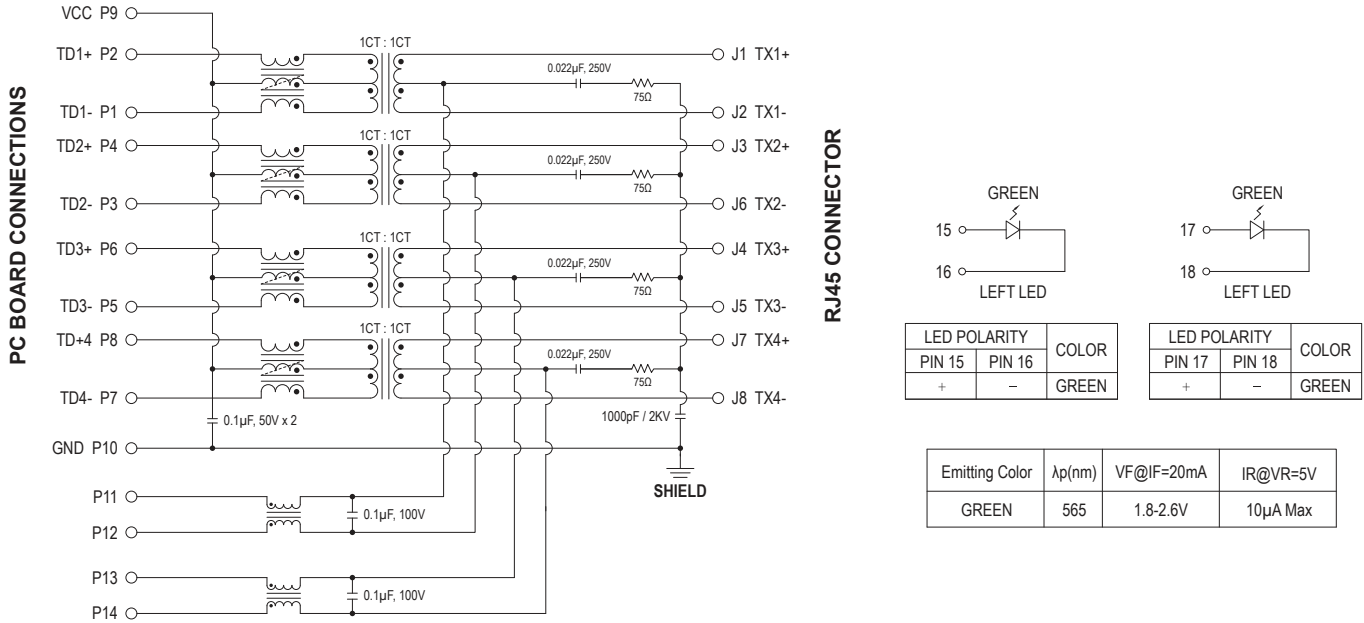
MECHANICAL

Dimensions: mm

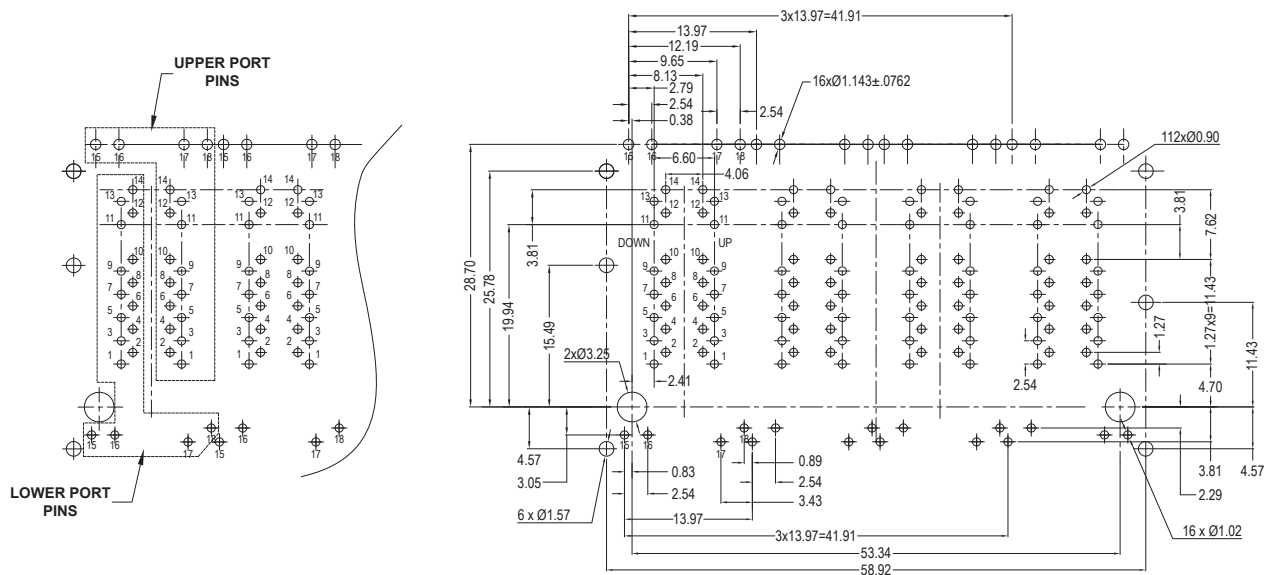




SCHEMATICS



PCB LAYOUT



NOTES

- Connector Materials:
Housing: Thermoplastic UL94V-0
Contact / Shield: Copper Alloy
Shield Plating: Nickel
Contact Plating: Gold 6µ" min in contact area
- Wave Solder Peak Temperature: 265°C Max, 5Sec