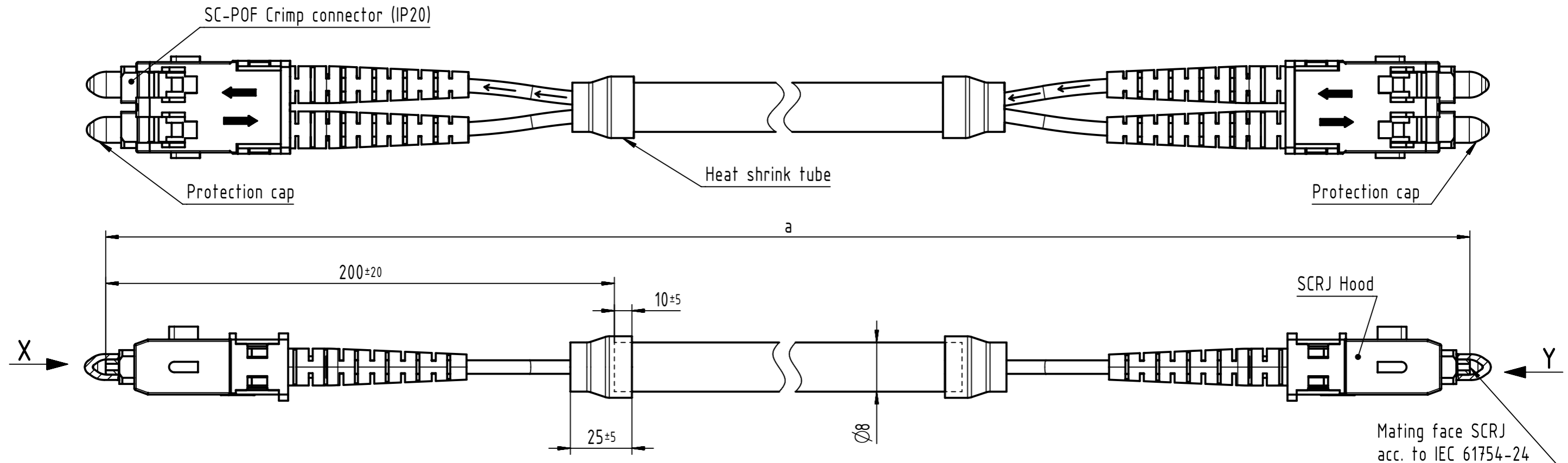


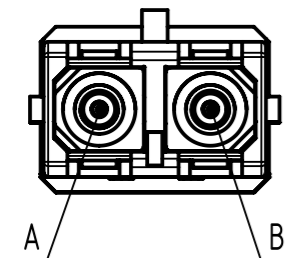
Connector Location A

Connector Location B

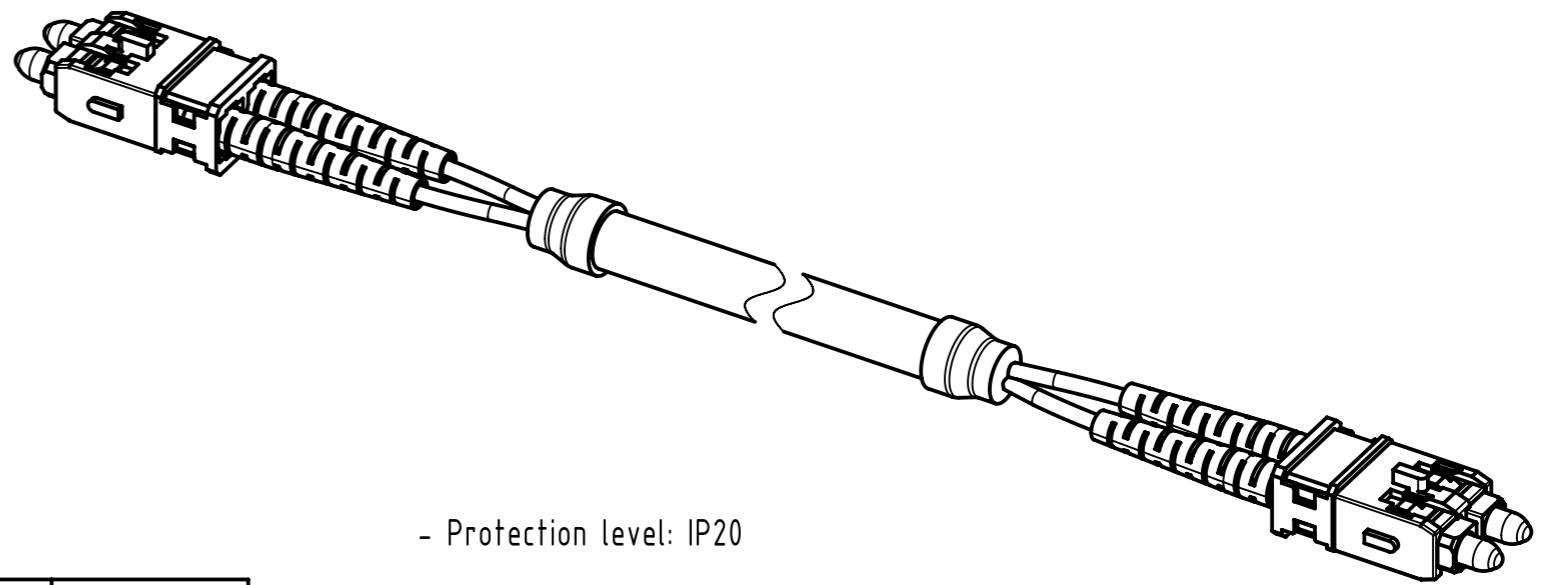
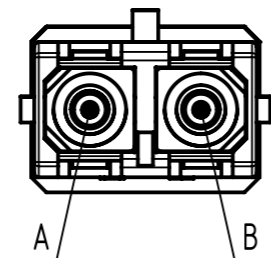


**X**  
male  
(without protection cap)

**Y**  
male  
(without protection cap)



Loading-Plan  
A — black — B  
B — orange — A



- Protection level: IP20

6	3302211020001	POF Fiber optic cable, MM 2-channel, 2P 980/1000, green, Ø8 mm	20
5	33022110150001		15
4	33022110100001		10
3	33022110050001		5
2	33022110020001		2
1	33022110010001		1
Cont. no.	Part no.	Type of cable	Dim. a[m]

	All rights reserved Department HCS - RO	Tech. Character.		Free size tol.		According to production drawing	
		Created by STOCEVIC Stocheci	Inspected by COSTEA Costea	Standardisation MUNTEANV Muntean	Date 2018-11-20	State Final Release	
HARTING Customised Solutions D-32339 Espelkamp		Title SCRJ Cable Assembly			Doc-Key / ECM-Nr. 100222053/UGD/005/D 500000143543		
		Type TB	Number 3302211XXX0001		Rev. D	Page 1/1	