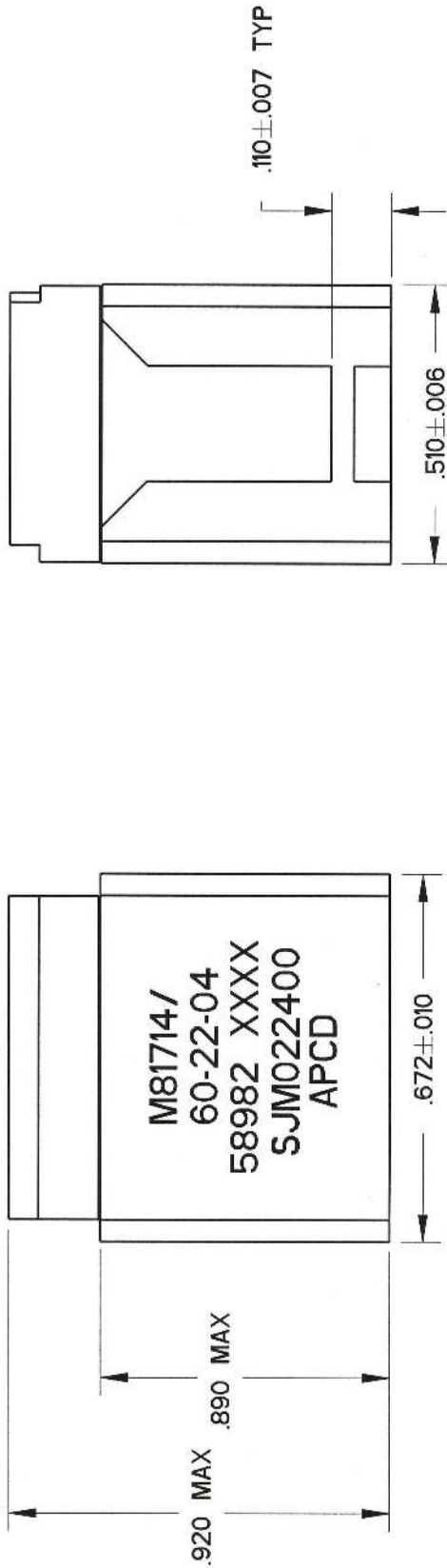
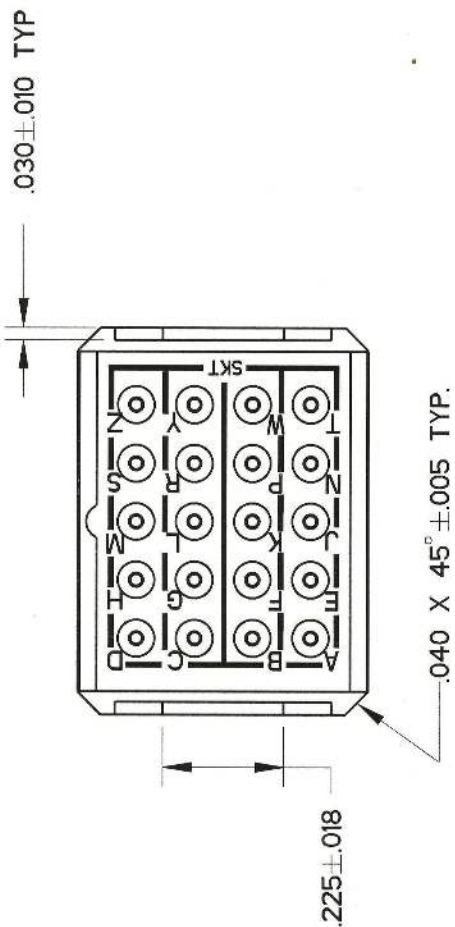
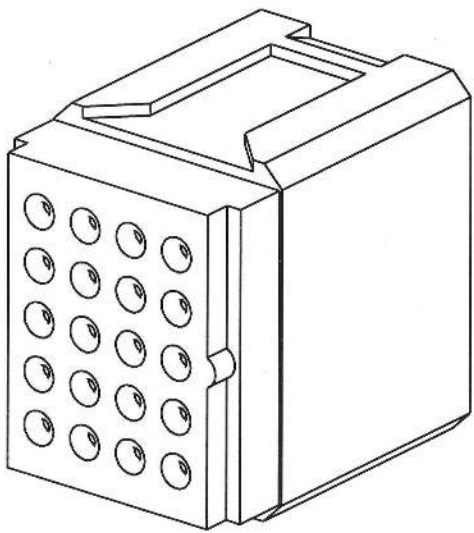


REV	ECN	APP'D
M	5910	RS 7/27/06
N	5979	<i>[Signature]</i> 1/16/06



- NOTES:
- PART MEETS ALL REQUIREMENTS OF MIL-T-81714/60
  - MATERIALS:  
GROMMET - SILICONE RUBBER PER A-A-59588  
BODY - POLYETHERIMIDE PER ASTM-D-5205  
INTERNAL CONTACT - BRASS PER ASTM-B16, GOLD PLATED PER SAE-AMS-2422  
CONTACT RETAINER CLIPS - STAINLESS STEEL PER ASTM-A666
  - PART ACCEPTS M39029/22-191 SOCKET CONTACTS. SEE TABLE

APCD P/N	SUPPLIED		MARKING	
	SKTS	PLUGS	APCD PART NO.	MIL. NO.
SJM022400	21	2	SJM022400	M81714/60-22-04
SJM022401	-	-	-	-

<b>Amphenol Pcd</b> SPECIFICATION DRAWING DRWN: R. SWAINE 9/25/06 ENGR: <i>[Signature]</i> 11/15/06 APPB: <i>[Signature]</i> 1/16/06		TITLE <b>SOCKET JUNCTION MODULE</b> SIZE 22, 4-BUS	
DIMENSIONS	TOLERANCES	PROJECTION	SIZE
ANSI Y14.5M UNITS: INCHES Pro/E FILE	.XX ±0.01 .XXX ±0.005 ANGLES ±2.0°		DWG NO. <b>SJM022400</b>
ORIGINAL	THIS DOCUMENT CONTAINS PROPRIETARY INFORMATION WHICH IS THE CONFIDENTIAL PROPERTY OF AMPHENOL PCD INC., PEABODY, MA	CODE: 58982	SCALE: 3:1
		SHEET 1	OF 1