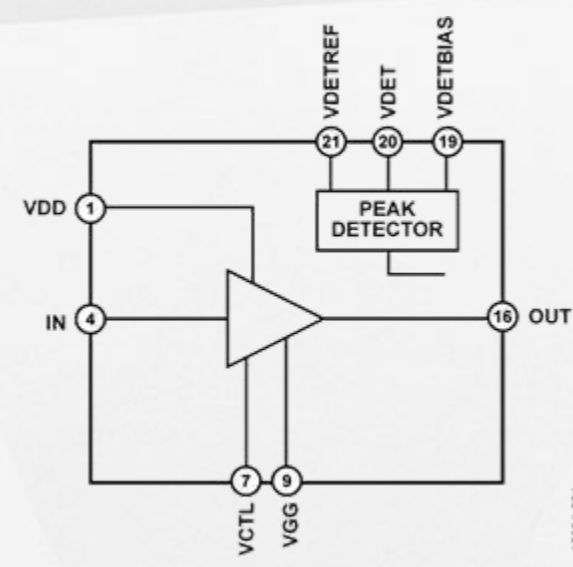


HMC7144

28 Gbps EML Driver w/ Peak-Detector

Recommended for New Designs

Overview Evaluation Kits Design Resources Discussions Sample & Buy



Overview

Features and Benefits | Product Details

- 100Gb Ethernet ER4/ LR4 systems
- CFP/CFP2 or similar form factor modules
- Optical transceivers and pluggable modules
- Broadband gain stages and pre-amplifiers
- Broadband Test & Measurement Equipment

Product Categories

- Optical
 - Modulator Drivers

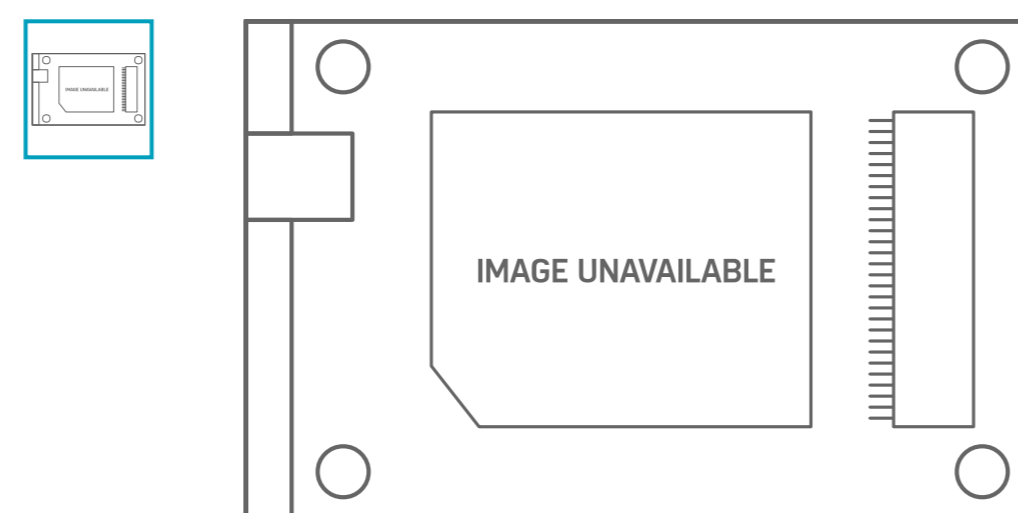
To request data sheet and for additional information, please contact RFMC-fc@analog.com

Comparable Parts | [Click to see all in Parametric Search](#)

Product Lifecycle ✔ Recommended for New Designs

This product has been released to the market. The data sheet contains all final specifications and operating conditions. For new designs, ADI recommends utilization of these products.

Evaluation Kits (1)



EVAL-HMC7144LC4

[View Detailed Evaluation Kit Information](#)

This page contains ordering information for evaluating the HMC7144LC4 .

Design Resources

ADI has always placed the highest emphasis on delivering products that meet the maximum levels of quality and reliability. We achieve this by incorporating quality and reliability checks in every scope of product and process design, and in the manufacturing process as well. "Zero defects" for shipped products is always our goal.

- [HMC7144 Material Declaration](#)
- [Quality And Reliability](#)
- [Symbols and Footprints](#)

Discussions

EngineerZone™ Didn't find what you were looking for? [Ask the Analog community](#) »

Sample & Buy

Model	Package	Pins	Temp Range	Packing Qty	Price (100-499)	Price (1000+)	RoHS	Order from Analog Devices
HMC7144LC4 Request PCN/PDN Notification Production	24 M LCC	24	-40 to 87C	Cut Tape, 50	\$70.62	-	Y <input checked="" type="checkbox"/> Info	Sample Purchase
HMC7144LC4TR Request PCN/PDN Notification Production	24 M LCC	24	-40 to 87C	Reel, 100	\$70.62	-	Y <input checked="" type="checkbox"/> Info	Purchase
HMC7144LC4TR-R5 Request PCN/PDN Notification Production	24 M LCC	24	-40 to 87C	Reel, 500	\$70.62	-	Y <input checked="" type="checkbox"/> Info	Purchase

[Back](#) [EGYPT](#) [Check Inventory](#)

The USA list pricing shown is for BUDGETARY USE ONLY, shown in United States dollars (FOB USA per unit for the stated volume), and is subject to change. International prices may differ due to local duties, taxes, fees and exchange rates. For volume-specific price or delivery quotes, please contact your local Analog Devices, Inc. sales office or authorized distributor. Pricing displayed for Evaluation Boards and Kits is based on 1-piece pricing.

[Price Table Help](#)

Evaluation Boards

Pricing displayed is based on 1-piece.

Model	Description	Price	RoHS
EVAL01-HMC7144LC4 Production	HMC7144LC4 Evaluation Board	\$726.00	Yes

[Back](#) [Add to cart](#) [EGYPT](#) [Check Inventory](#)

Pricing displayed is based on 1-piece. The USA list pricing shown is for budgetary use only, shown in United States dollars (FOB USA per unit), and is subject to change. International prices may vary due to local duties, taxes, fees and exchange rates.

15,000

Problem Solvers

4,700+

Patents Worldwide

125,000

Customers

50+

Years

Ahead of What's Possible

Analog Devices is a global leader in the design and manufacturing of analog, mixed signal, and DSP integrated circuits to help solve the toughest engineering challenges.

[See the Innovations](#)

Analog Devices. Dedicated to solving the toughest engineering challenges.

SOCIAL

[LinkedIn](#) [Facebook](#) [Twitter](#) [Google+](#) [YouTube](#)

QUICK LINKS

[About ADI](#)
[Analog Dialogue](#)
[Contact us](#)
[News Room](#)
[Sales & Distribution](#)

[Partners](#)
[Careers](#)
[Investor Relations](#)
[Quality & Reliability](#)

LANGUAGES

[English](#)
[简体中文](#)
[日本語](#)
[Русский](#)

NEWSLETTERS

Interested in the latest news and articles about ADI products, design tools, training and events? Choose from one of our 12 newsletters that match your product area of interest, delivered monthly or quarterly to your inbox.

[Sign Up](#)