

VIP/S/D25M/BASE 1-8/L/C/EX - Base module



2906595

<https://www.phoenixcontact.com/us/products/2906595>

Please be informed that the data shown in this PDF document is generated from our online catalog. Please find the complete data in the user documentation. Our general terms of use for downloads are valid.



8-channel VIP I/O marshalling base element for universal use. All connections as screw connection technology. This module with the D-SUB 25 connector is pin compatible with the Foxboro I/A series DCS.

Your advantages

- Integrated carrier for IOA insertion and retention
- Screw-clamp field connections
- Power bus terminals with redundancy
- Each channel has four connections (A, B, C, D) and multiple shield options
- Channels for marking accessories
- Integrated DIN rail ground foot
- Rugged metal DIN rail foot for ease of installation or removal from the rail
- Terminals for discrete wiring or cable connection

Commercial data

Item number	2906595
Packing unit	1 pc
Sales key	C480
Product key	CK8112
Catalog page	Page 552 (C-5-2017)
GTIN	4055626184609
Weight per piece (including packing)	442.3 g
Weight per piece (excluding packing)	442.3 g
Customs tariff number	85366990
Country of origin	US

VIP/S/D25M/BASE 1-8/L/C/EX - Base module



2906595

<https://www.phoenixcontact.com/us/products/2906595>

Technical data

Product properties

Product type	Module carrier
Product family	VIP I/O-Marshalling
No. of channels	8

Insulation characteristics

Overvoltage category	II
Pollution degree	2

Electrical properties

No. of channels	8
Max. operating voltage U_{max}	30 V DC (field terminals)
	230 V AC (field terminals)
	30 V DC (A and B terminals)
	30 V DC (D-SUB 25 connector)
Max. permissible current	4 A (A and B terminals)
Max. permissible total current	15 A (per module)
Max. current carrying capacity per branch	3 A (field signal)
	1 A (control contacts)

Connection data

Field level

Connection in acc. with standard	IEC / EN
Connection method	Screw connection
Stripping length	8 mm
Screw thread	M3
Conductor cross section rigid	0.2 mm ² ... 4 mm ²
Conductor cross section flexible	0.2 mm ² ... 2.5 mm ²
Conductor cross section AWG	24 ... 12
Tightening torque	0.5 Nm ... 0.6 Nm

Controller level

Connection method	D-SUB 25
Number of connections	1
Number of positions	25
Tightening torque	0.3 Nm ... 0.34 Nm

Power-level terminals

Connection method	Screw connection
Number of connections	2
Conductor cross section rigid	0.14 mm ² ... 2.5 mm ²
Conductor cross section flexible	0.14 mm ² ... 2.5 mm ²

VIP/S/D25M/BASE 1-8/L/C/EX - Base module



2906595

<https://www.phoenixcontact.com/us/products/2906595>

Conductor cross section AWG	26 ... 14
Tightening torque	0.5 Nm ... 0.6 Nm

Ex data


Safety data

Input voltage U_i	30 V (per channel)
Input current I_i	1 A (per channel)
Inductance L_i	0 mH
Capacitance C_i	0 μ F
Safety-related maximum voltage U_m	253 V AC/DC (A and B terminals and D-SUB 25)

Signaling

Status display	No
Status display present	No

Dimensions

Width	123.14 mm
Height	106.828013 mm
Depth	72.37 mm
Dimensional drawing	
Width	123.1 mm
Height	102.7 mm
Depth	72.2 mm

Environmental and real-life conditions

Ambient conditions

Degree of protection	IP20
Ambient temperature (operation)	-40 °C ... 75 °C
Ambient temperature (storage/transport)	-40 °C ... 75 °C
Altitude	< 2000 mm
Permissible humidity (operation)	0 % ... 95 % (non-condensing)

Approvals

ATEX

Identification	Ⓔ II 3G Ex nA IIC T4 Gc
Certificate	Sira 17ATEX4367X

VIP/S/D25M/BASE 1-8/L/C/EX - Base module



2906595

<https://www.phoenixcontact.com/us/products/2906595>

IECEX

Identification	Ex nA IIC T4 Gc
Certificate	IECEX SIR 17.0086X

UKEX

Identification	Ⓜ II 3G Ex nA IIC T4 Gc
Certificate	PxCIF23UKEX2906595X

UL, USA/Canada

Identification	Class I, Div. 2, Groups A, B, C, D T4
	Class I, Zone 2, IIC T4

CSA, USA/Canada

Identification	Class I, Div. 2, Groups A, B, C, D T4
	Class I, Zone 2, AEx nA IIC T4 Gc
	Ex nA IIC T4 Gc

Standards and regulations

Standards/regulations	IEC 60664
	DIN EN 50178

Mounting

Mounting type	DIN rail mounting
Mounting position	As desired on 35 mm DIN rail in acc. with EN 60715

VIP/S/D25M/BASE 1-8/L/C/EX - Base module

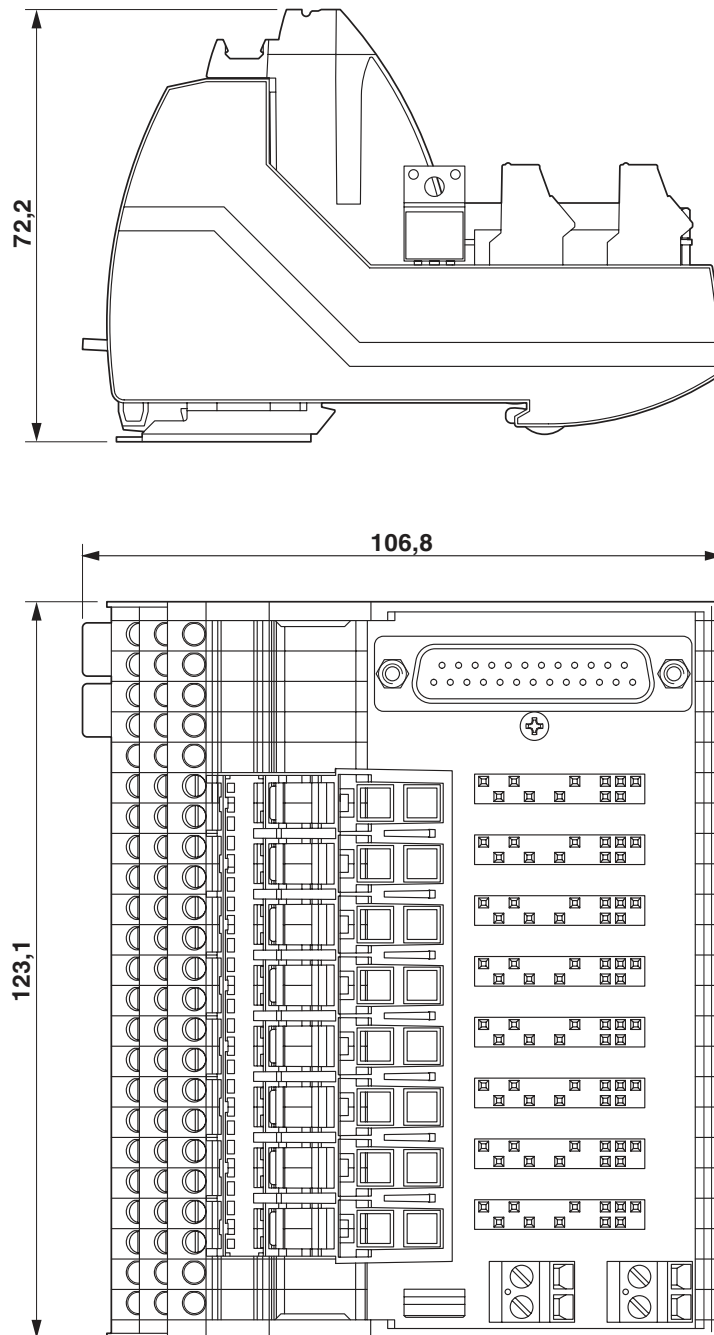
2906595

<https://www.phoenixcontact.com/us/products/2906595>



Drawings

Dimensional drawing



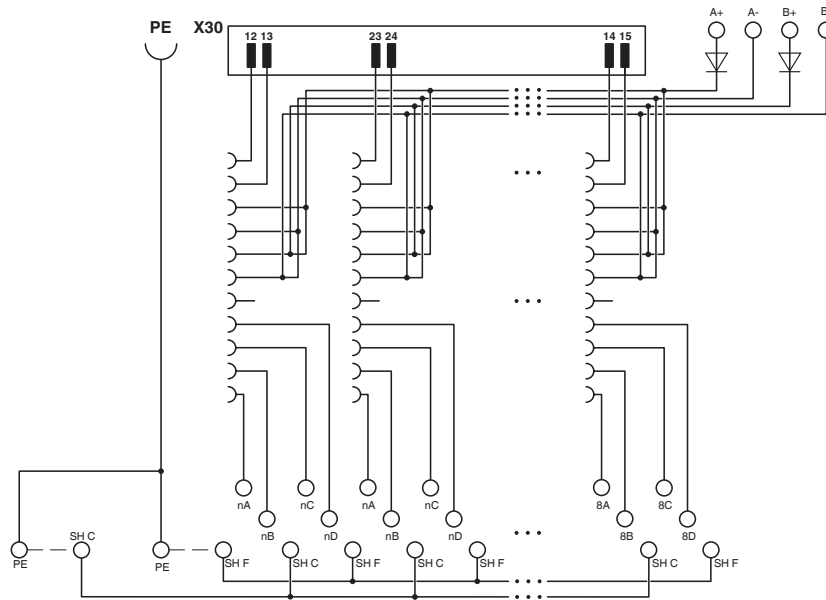
VIP/S/D25M/BASE 1-8/L/C/EX - Base module



2906595

<https://www.phoenixcontact.com/us/products/2906595>

Circuit diagram



VIP/S/D25M/BASE 1-8/L/C/EX - Base module



2906595

<https://www.phoenixcontact.com/us/products/2906595>

Approvals

To download certificates, visit the product detail page: <https://www.phoenixcontact.com/us/products/2906595>



IECEx

Approval ID: IECEx SIR 17.0086X



ATEX

Approval ID: SIRA 17ATEX4367X



CSA

Approval ID: 70123589



CSAus

Approval ID: 70123589



ATEX

Approval ID: SIRA 18ATEX2007X



cUL Listed

Approval ID: FILE E 196811



UL Listed

Approval ID: FILE E 196811

cULus Listed

cCSAus

VIP/S/D25M/BASE 1-8/L/C/EX - Base module



2906595

<https://www.phoenixcontact.com/us/products/2906595>

Classifications

ECLASS

ECLASS-11.0	27141152
ECLASS-13.0	27141152
ECLASS-12.0	27141152

ETIM

ETIM 8.0	EC002780
----------	----------

UNSPSC

UNSPSC 21.0	39121400
-------------	----------

VIP/S/D25M/BASE 1-8/L/C/EX - Base module



2906595

<https://www.phoenixcontact.com/us/products/2906595>

Environmental product compliance

REACH SVHC	Lead 7439-92-1
China RoHS	Environmentally Friendly Use Period = 50 years
	For information on hazardous substances, refer to the manufacturer's declaration available under "Downloads"

VIP/S/D25M/BASE 1-8/L/C/EX - Base module



2906595

<https://www.phoenixcontact.com/us/products/2906595>

Mandatory accessories

IOA FEED-THRU/EX - Feed-through plug

2906598

<https://www.phoenixcontact.com/us/products/2906598>



Feed-through terminal block for VIP I/O-Marshalling base elements for conveying field signals to or from the I/O system.

IOA AI/AO/BFI/DS/0.5A/EX - Input/output module

2906599

<https://www.phoenixcontact.com/us/products/2906599>



Fuse module for VIP I/O-Marshalling base elements with replaceable 0.5 A fuses in the field device supply path and in the signal path. Integrated test points and a disconnect knife enable uninterrupted signal measurement.

VIP/S/D25M/BASE 1-8/L/C/EX - Base module

2906595

<https://www.phoenixcontact.com/us/products/2906595>



IOA DI/DO/BFI/DS/1.0A/EX - Input/output module

2906600

<https://www.phoenixcontact.com/us/products/2906600>



Fuse module for VIP I/O-Marshalling base elements with replaceable 1 A fuses in the field device supply path and in the signal path. Integrated test points and a disconnect knife enable uninterrupted signal measurement.

IOA REL 24V DO/BFI/3.0A/EX - Relay Module

2910153

<https://www.phoenixcontact.com/us/products/2910153>



Relay module for VIP I/O-Marshalling base elements. For switching 24 V DC loads up to max. 3 A. Integrated fuse and fuse failure indication. N/O contact or N/C contact can be used.

VIP/S/D25M/BASE 1-8/L/C/EX - Base module



2906595

<https://www.phoenixcontact.com/us/products/2906595>

IOA REL 24V DI/BFI/1.0A/EX - Relay Module

2910155

<https://www.phoenixcontact.com/us/products/2910155>



Relay module for VIP I/O-Marshalling base elements. For the electrically isolated coupling of 24 V DC field devices to digital inputs. Integrated fuse and fuse failure indication.

IOA REL 120V DO/BFI/3.0A/EX - Relay Module

2910154

<https://www.phoenixcontact.com/us/products/2910154>



Relay module for VIP I/O-Marshalling base elements. For switching 120 V AC loads up to max. 3 A. Integrated fuse and fuse failure indication. N/O contact or N/C contact can be used.

VIP/S/D25M/BASE 1-8/L/C/EX - Base module



2906595

<https://www.phoenixcontact.com/us/products/2906595>

IOA REL 120V DI/1.0A/EX - Relay Module

2910157

<https://www.phoenixcontact.com/us/products/2910157>



Relay module for VIP I/O-Marshalling base elements. For the electrically isolated coupling of 120 V AC field devices to digital inputs. Integrated fuse and fuse failure indication.

IOA REL 230V DO/BFI/NO/3.0A/EX - Relay Module

2910421

<https://www.phoenixcontact.com/us/products/2910421>



Relay module for VIP I/O-Marshalling base elements. For switching 230 V AC loads up to max. 3 A. Integrated fuse and fuse failure indication. N/O contact can be used.

VIP/S/D25M/BASE 1-8/L/C/EX - Base module



2906595

<https://www.phoenixcontact.com/us/products/2906595>

IOA REL 230V DO/BFI/NC/3.0A/EX - Relay Module

2910422

<https://www.phoenixcontact.com/us/products/2910422>



Relay module for VIP I/O-Marshalling base elements. For switching 230 V AC loads up to max. 3 A. Integrated fuse and fuse failure indication. N/C contact can be used.

IOA REL 230V DI/1.0A/EX - Relay Module

2910423

<https://www.phoenixcontact.com/us/products/2910423>



Relay module for VIP I/O-Marshalling base elements. For the electrically isolated coupling of 230 V AC field devices to digital inputs. Integrated fuse and fuse failure indication.

VIP/S/D25M/BASE 1-8/L/C/EX - Base module



2906595

<https://www.phoenixcontact.com/us/products/2906595>

IOA RPSS-I-I/HART/EX - Power/input isolating amplifier

2908452

<https://www.phoenixcontact.com/us/products/2908452>



Ex ic repeater power supply and input signal conditioner, HART for VIP I/O-Marshalling base elements: Transmits 0/4 ... 20 mA signals from the potentially explosive area (zone 2, CID2) to a load (active or passive) in the safe area. 3-way electrical isolation

Accessories

VIP/S/BASE 3L DIVIDER - Partition plate

2907715

<https://www.phoenixcontact.com/us/products/2907715>



VIP I/O marshalling partition plate for safe isolation between non-Ex i and Ex i plug-in modules on a base module in VIP design.
The partition plate is mounted directly on the base module between the plug-in IOAs.

VIP/S/D25M/BASE 1-8/L/C/EX - Base module



2906595

<https://www.phoenixcontact.com/us/products/2906595>

VIP/U/RAIL 3L DIVIDER - Partition plate

2908555

<https://www.phoenixcontact.com/us/products/2908555>



VIP I/O marshalling partition plate for safe isolation between non-Ex i and Ex i assembled base modules for Honeywell systems. The partition plate is mounted directly on the DIN rail at the end of the base module.

Phoenix Contact 2023 © - all rights reserved

<https://www.phoenixcontact.com>

Phoenix Contact USA
586 Fulling Mill Road
Middletown, PA 17057, United States
(+717) 944-1300
info@phoenixcon.com