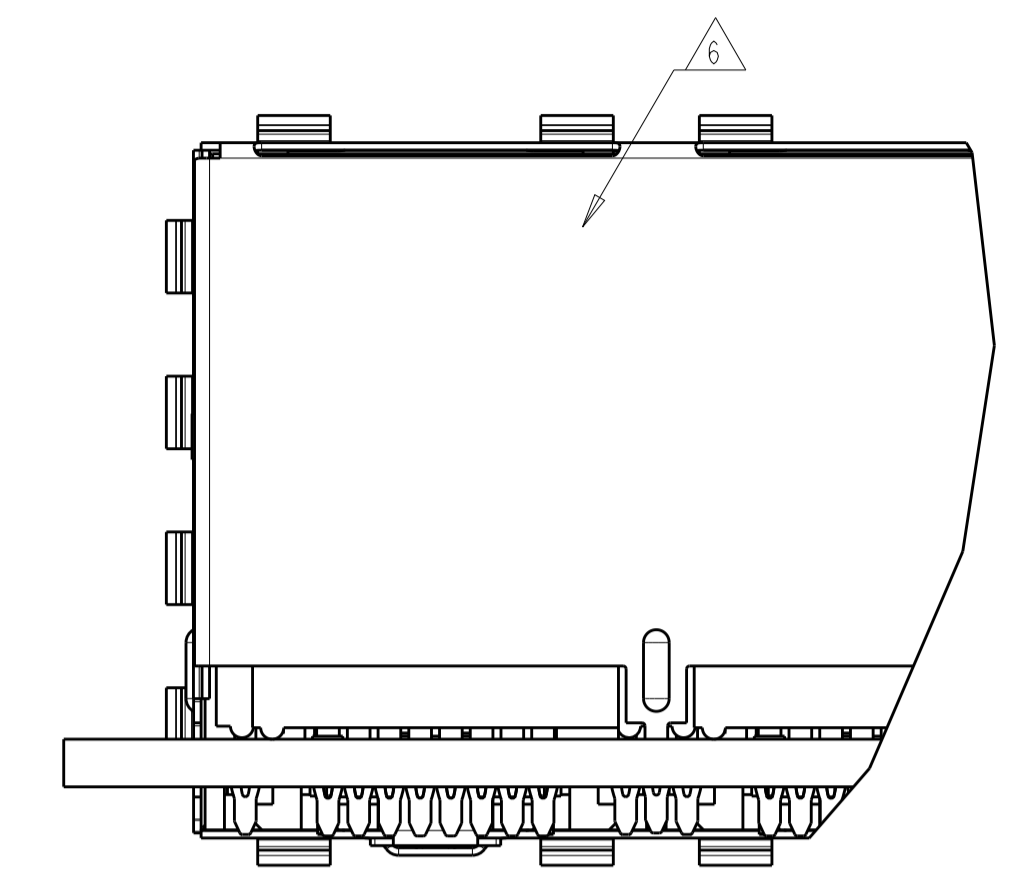
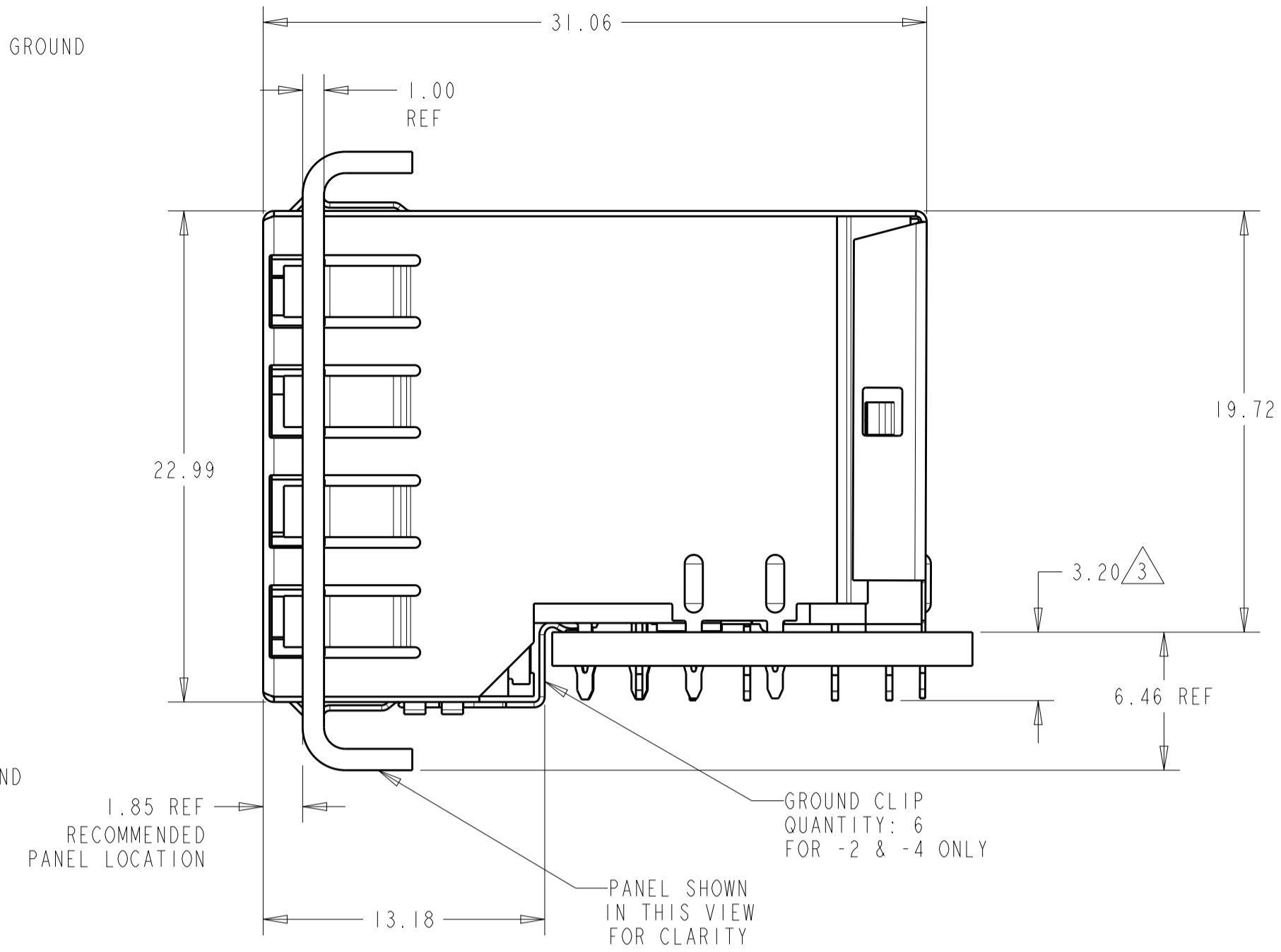
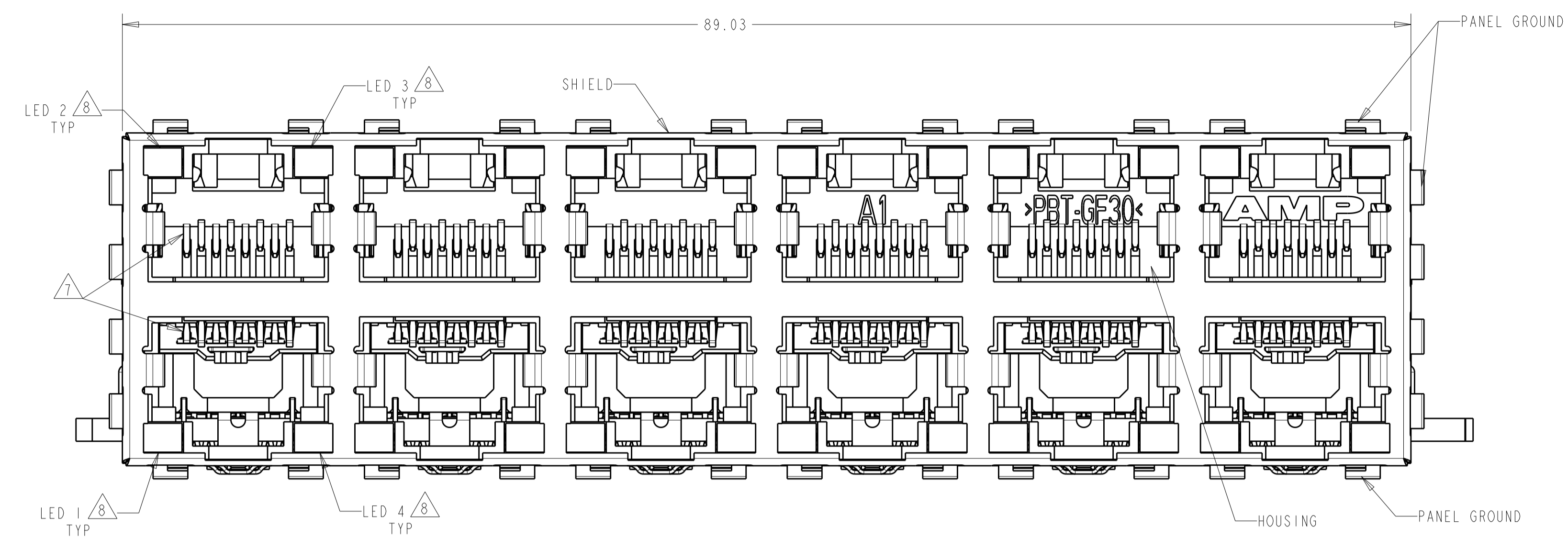
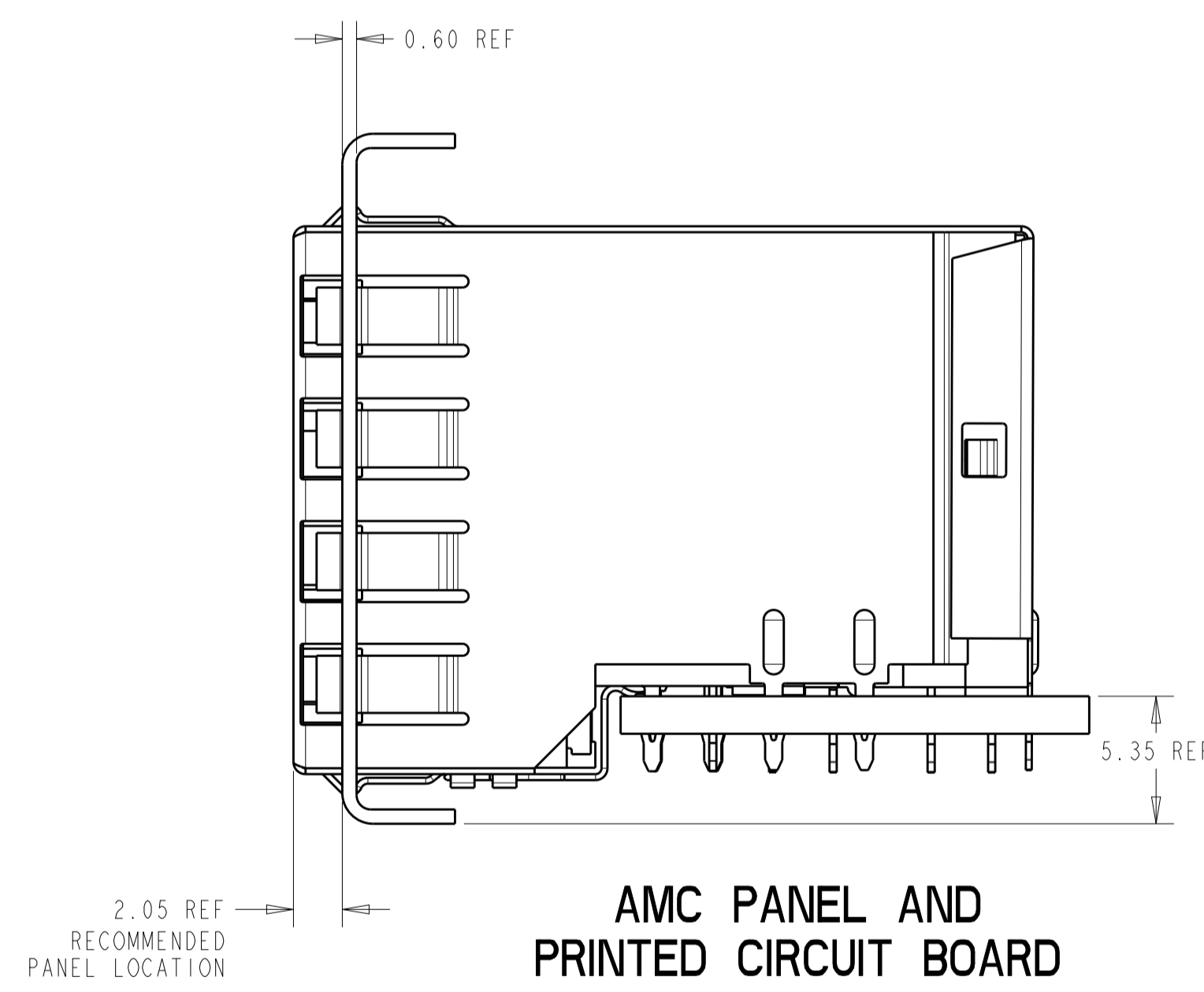


REVISIONS					
P	LTN	DESCRIPTION	DATE	DWN	APVD
B		REV PER ECO-07-001858	28MAR2007	RG	JW
B1		ADDED NEW DASH NUMBER	23MAY2008	DZ	SY
B2		ECR-08-020353	13AUG2008	AL	SY
C		ECO-15-006810	22JAN2016	LL	SH



ATCA PANEL AND PRINTED CIRCUIT BOARD ASSEMBLY LAYOUT

- MATERIAL:
HOUSING: PBT POLYESTER, BLACK, UL 94V-0
TERMINALS: 0.33 THICK PHOSPHOR BRONZE PLATED WITH 1.27µm MINIMUM THICK HARD GOLD IN LOCALIZED AREA AND 2.0µm MINIMUM THICK MATTE TIN IN COMPLIANT PIN TERMINAL AREA OVER 1.27µm MINIMUM THICK NICKEL UNDERPLATE
SHIELD: 0.25 THICK COPPER ALLOY PLATED WITH 2.03µm MINIMUM TIN OVER 1.27 µm MINIMUM NICKEL
GROUND CLIP: 0.25 THICK COPPER ALLOY PRE-PLATED WITH 2.03µm MINIMUM MATTE TIN OVER 1.27µm MINIMUM NICKEL
LIGHT EMITTING DIODE (LED): DIFFUSED EPOXY LENS, 12.95 CARBON STEEL WIREFRAME LEADS PREPLATED WITH 8.89µm THICK Sn/Cu OVER 2.03µm THICK Ag OVER 1.02µm THICK Cu OVER 3.56µm THICK Ni OVER 1.02µm THICK Cu UNDERPLATE
LED COMPLIANT PIN CONTACTS: 0.3 THICK BRASS PLATED WITH 2µm MINIMUM MATTE TIN OVER 1.27µm MINIMUM NICKEL UNDERPLATE.



AMC PANEL AND PRINTED CIRCUIT BOARD ASSEMBLY LAYOUT

- JACK CAVITY CONFORMS TO FCC RULES AND REGULATIONS, PART 68 SUBPART F.
- 3 MAXIMUM PIN LENGTH 3.40 FROM TOP SURFACE OF PC BOARD
 - 4 FINISHED PLATED THROUGH HOLE DIAMETER - ANNULAR RING DIAMETER 1.3 TO 1.5
 - 5 DATUMS AND BASIC DIMENSIONS ESTABLISHED BY CUSTOMER
 - 6 DATE CODE LOCATED ON REAR OF PART APPROXIMATELY AS SHOWN
 - 7 CONTACTS ARE NOT INTENDED TO BE ALIGNED WITH EACH OTHER
 - 8 SUGGESTED OPERATING CURRENT FOR LEDS IS 20mA
 - 9 NO PANEL GROUNDS.

15.88	GREEN/YELLOW	GREEN/YELLOW	GREEN/YELLOW	GREEN/YELLOW	WITH GROUND CLIP	1888509-5
15.88	GREEN/YELLOW	GREEN/YELLOW	GREEN/YELLOW	GREEN/YELLOW	WITH GROUND CLIP	1888509-4
16.13	YELLOW	YELLOW	GREEN	GREEN	WITHOUT GROUND CLIP	1888509-3
15.88	GREEN	GREEN	GREEN	GREEN	WITH GROUND CLIP	1888509-2
16.13	GREEN	GREEN	GREEN	GREEN	WITHOUT GROUND CLIP	1888509-1
M DIM	LED #4 (LOWER-RIGHT)	LED #3 (UPPER-RIGHT)	LED #2 (UPPER-LEFT)	LED #1 (LOWER-LEFT)	DESCRIPTION	PART NUMBER

THIS DRAWING IS A CONTROLLED DOCUMENT.

DIMENSIONS: mm

TOLERANCES UNLESS OTHERWISE SPECIFIED:

0 PLC	±
1 PLC	±0.13
2 PLC	±
3 PLC	±
4 PLC	±
ANGLES	±1°

MATERIAL: SEE NOTE 1

FINISH: SEE NOTE 1

THIS DRAWING IS A CONTROLLED DOCUMENT.

DWN: L.A. MAYER 28OCT2006

CHK: J. WESTMAN 28OCT2006

APVD: S. FLICKINGER 28OCT2006

NAME: STACKED MOD JACK ASSEMBLY, 2 X 6, 8 POSN, W/LEDS, RJ45, SHIELDED, PANEL GROUND, OFFSET, CAT 5

SIZE: A1

SCALE: 4:1

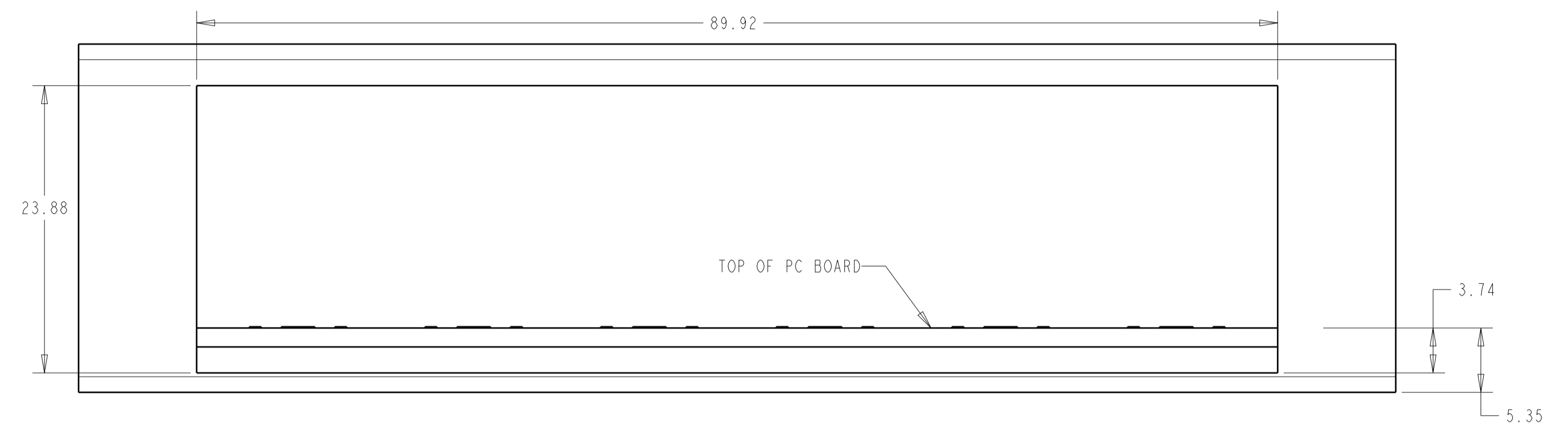
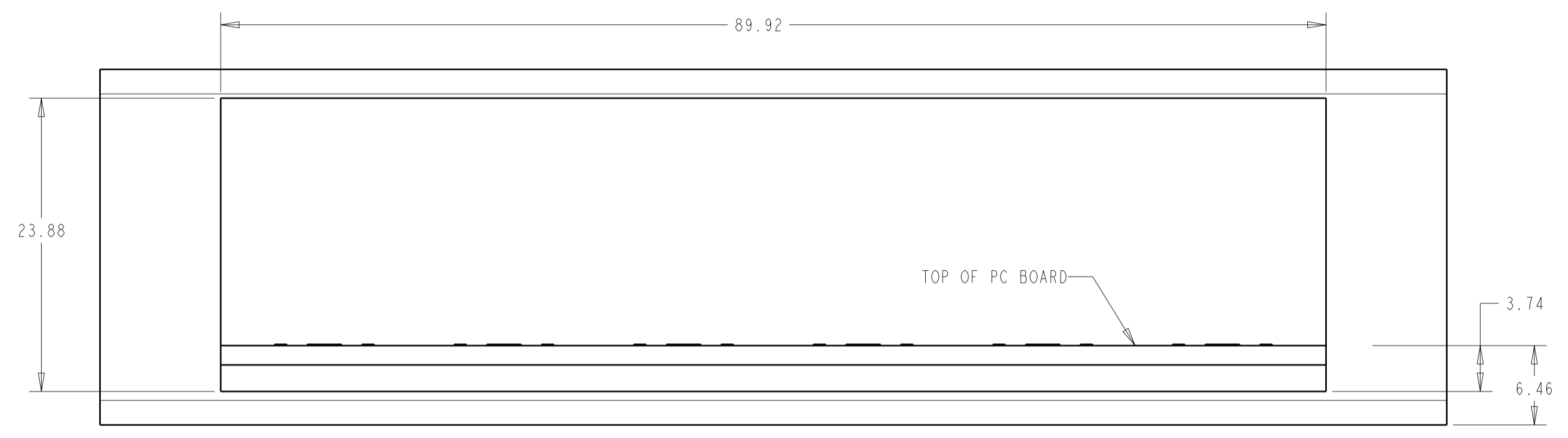
SHEET: 1 OF 2

REV: C

CUSTOMER DRAWING

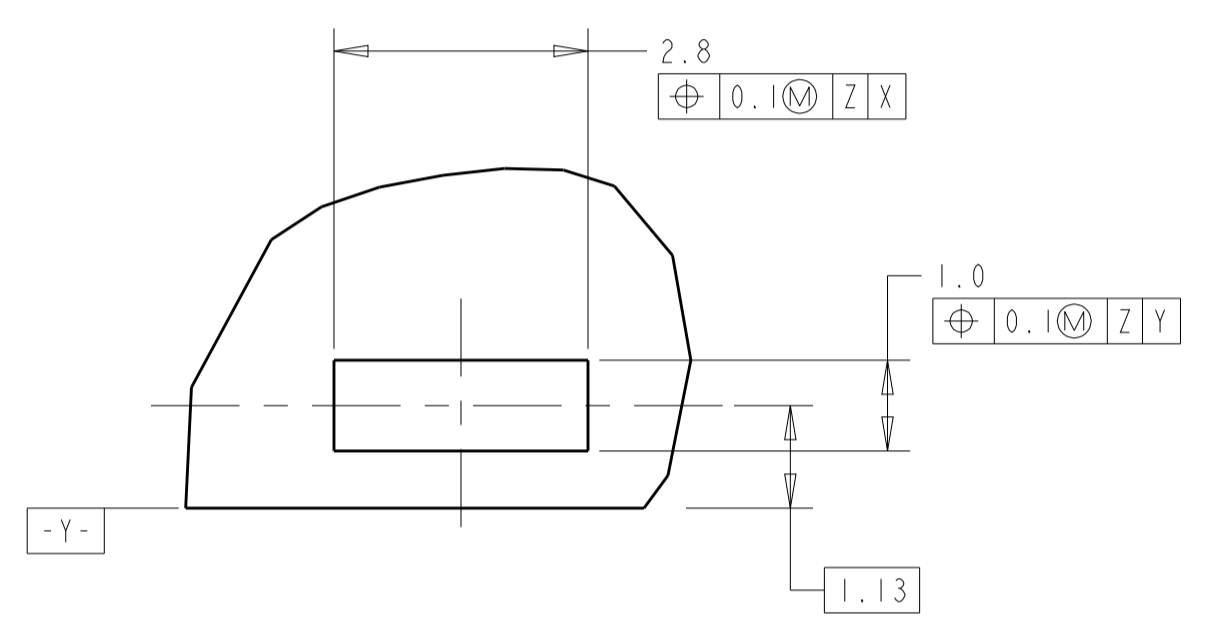
00779 ©=1888509

REVISIONS				
P.	LTN.	DESCRIPTION	DATE	APVD.
-	-	SEE SHEET 1	-	-

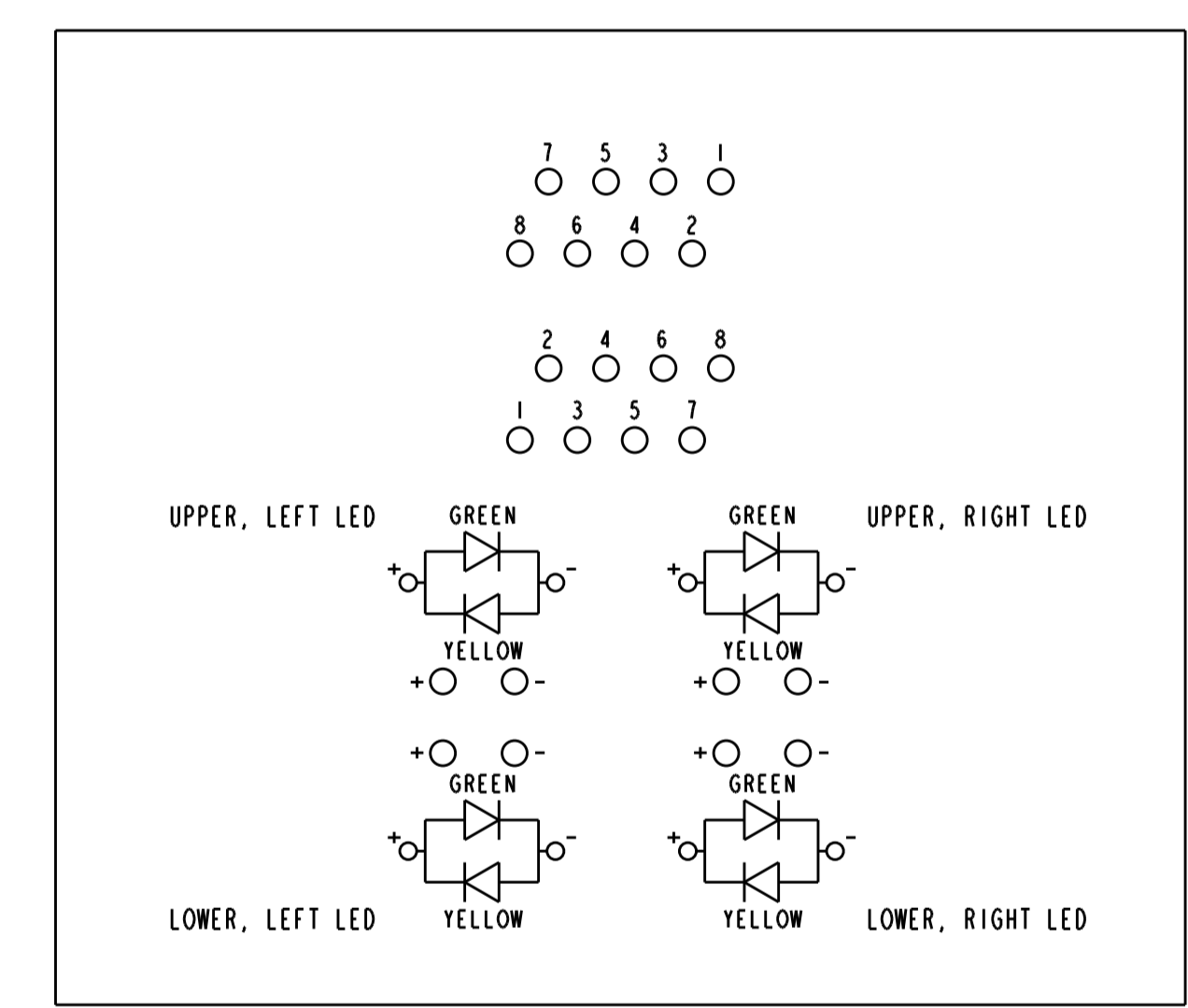


ATCA PANEL AND PRINTED CIRCUIT BOARD LAYOUT
SCALE 3:1

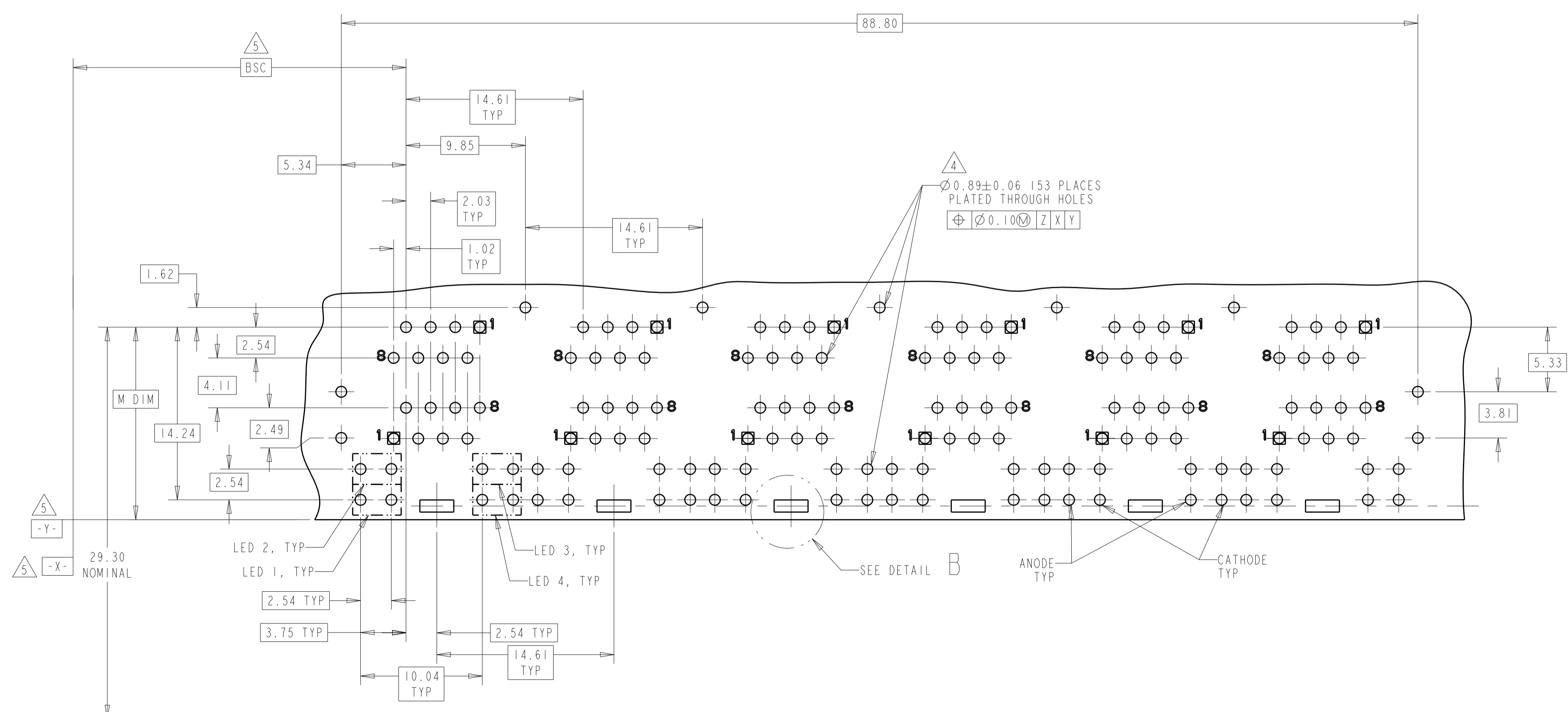
AMC PANEL AND PRINTED CIRCUIT BOARD LAYOUT
SCALE 3:1



DETAIL B
SCALE 12:1
PLATED PADS REQUIRED FOR 1888509-2 & -4 (PRODUCT WITH GROUNDING CLIPS)



BI-COLOR LED SCHEMATIC FOR 1888509-4,5
SCALE 4:1



PC BOARD LAYOUT (COMPLIANT SIDE)

THIS DRAWING IS A CONTROLLED DOCUMENT.		DWN: L.A.MAYER 28OCT2006 CHG: J.WESTMAN 28OCT2006 APVD: S.FLICKINGER 28OCT2006	TE Connectivity
DIMENSIONS: mm 	TOLERANCES UNLESS OTHERWISE SPECIFIED: 0 PLC ± 1 PLC ±0.13 2 PLC ± 3 PLC ± 4 PLC ± ANGLES ±1°	NAME: STACKED MOD JACK ASSEMBLY, 2 X 6, 8 POSN, W/LEDs, RJ45, SHIELDED, PANEL GROUND, OFFSET, CAT 5 PRODUCT SPEC: 108-1854 APPLICATION SPEC: 114-2160 WEIGHT: - CUSTOMER DRAWING	
MATERIAL: SEE NOTE 1	FINISH: SEE NOTE 1	SIZE: A1 CAGE CODE: 00779 DRAWING NO: 1888509	RESTRICTED TO: - SCALE: 4:1 SHEET: 2 OF 2 REV: C