

4

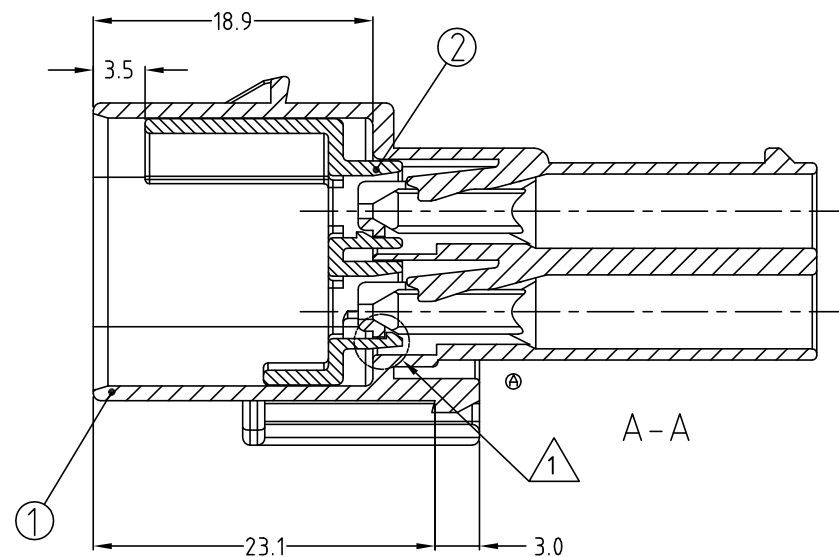
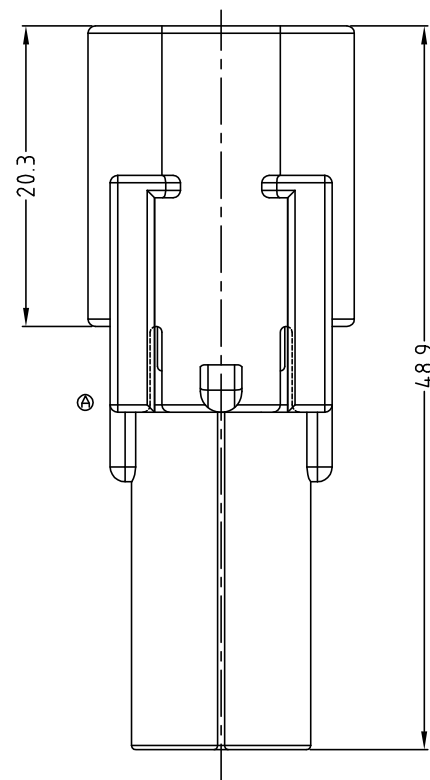
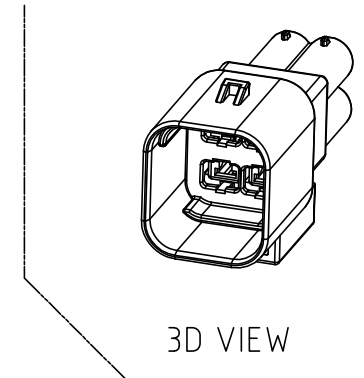
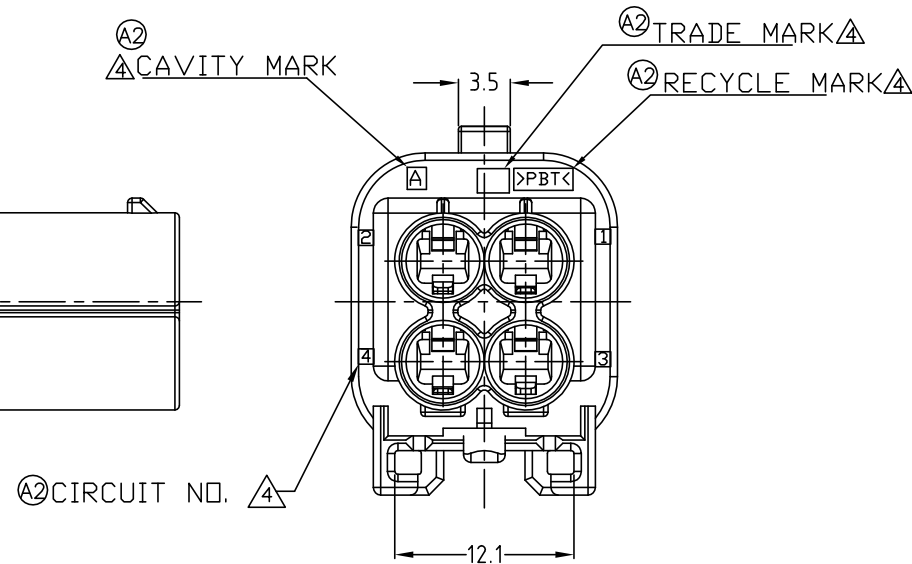
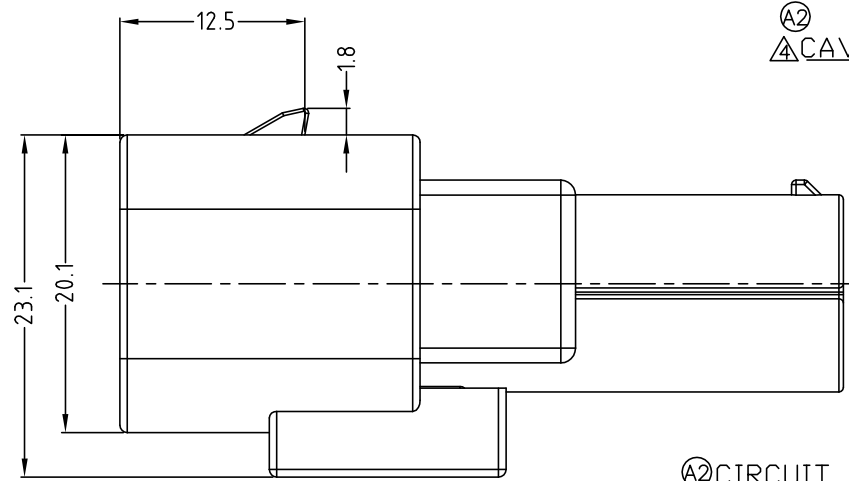
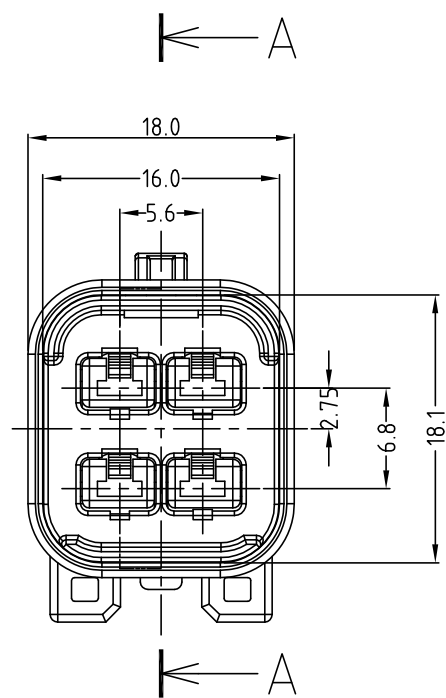
3

2

1

THIS DRAWING IS UNPUBLISHED. RELEASED FOR PUBLICATION  
COPYRIGHT BY TYCO ELECTRONICS CORPORATION, ALL RIGHTS RESERVED.

LOC	DIST	REVISIONS					
DS	-	P	LTR	DESCRIPTION	DATE	DWN	APVD
			A	REVISED(FC00-0317-04)	07,DEC,'04	JG	CS
			A1	REVISED(ECR-06-013973)	09,JUN,'06	YH	JK
			A2	REVISED(ECR-10-017371)	14,SEP,'10	SJ	HG



NOTES.

- 1. CONDITION OF DELIVERY : DBL PLATE IN OPEN POSITION.
- 2. APPLIED TAB CONTACT P/N :

CONTACT	MCP-E TERMINAL	
Part No.	936612-1	936613-1
WIRE SIZE(mm <sup>2</sup> )	1.0 ~ 2.5	0.5 ~ 1.0

- 3. APPLIED FEMALE CONNECTOR P/N : 936254
- 4. ALL CHARACTERS SHALL BE CLEAR AND LEGIBLE
  - TRADE MARK: 1.0 CHARACTERS 0.2 RAISED
  - CAVITY MARK & CURCUIT NO: 1.0 CHARACTERS 0.2 RAISED
  - RECYCLE MARK: 1.0 CHARACTEERS 0.2 RAISED

NO	DESCRIPTION	MATERIAL	COLOR /FINISH	ASS'Y FOR Q'TY	A	A	REV
2	DBL HOUSING	PBT GF10	WHITE	1	1		
1	CAP HOUSING	PBT	GRAY	1	•		
			BLACK	•	1		
					0-936293-3	0-936293-2	ASS'Y P/N

THIS DRAWING IS A CONTROLLED DOCUMENT FOR TYCO ELECTRONICS CORPORATION IT IS SUBJECT TO CHANGE AND THE CONTROLLING ENGINEERING ORGANIZATION SHOULD BE CONTACTED FOR THE LATEST REVISION.

DIMENSIONS: MM	TOLERANCES UNLESS OTHERWISE SPECIFIED: 0 <XXX<10 ± 0.2 10<XXX<30 ± 0.25 30<XXX ± 0.3 ANGLES ± 3°
MATERIAL SEE TABLE	FINISH SEE TABLE

DWN SJ CHOI	NAME <b>Tyco Electronics</b> Tyco Electronics kyungsan, korea
CHK JW JUNG	
APVD HG CHD	
PRODUCT SPEC -	
APPLICATION SPEC -	
WEIGHT -	
CUSTOMER DRAWING	

SIZE		CAGE CODE	DRAWING NO	RESTRICTED TO
A3		00779	C=936293	-
SCALE 2/1		SHEET 1	OF 1	REV A2