

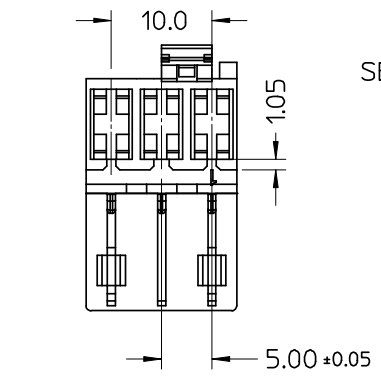
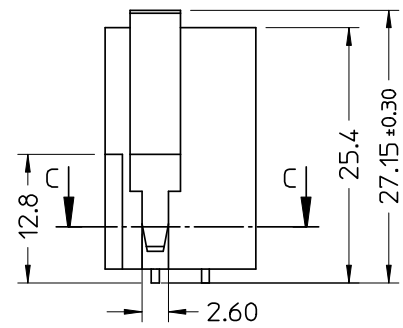
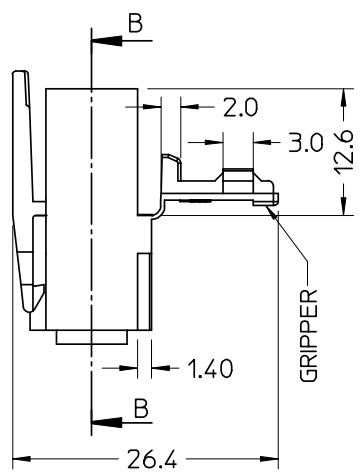
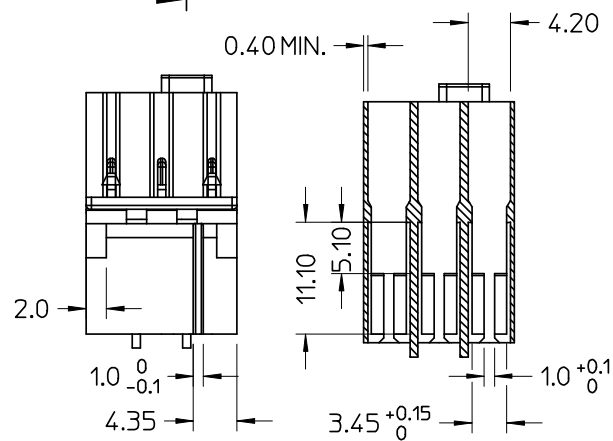
- NOTE:
- USATO CON TERMINALE 94518-0XXX E 94549-0XXX
 - SPECIFICA DI RIFERIMENTO PER IL CONNETTORE PS-94550-001
 - PER CARATTERISTICHE DI CRIMPATURA RIF. SD-94518-005 E SD-94549-001
 - FORZA DI DISACCOPIAMENTO CONNETTORE (TRAZIONANDO DAI CAVI SENZA AZIONARE L'AGGANCIO): 40 N MIN.
 - SPESSORE MINIMO PARETI CONNETTORE 0.40 mm.

- NOTE:
- USED WITH TERMINALS 94518-0XXX AND 94549-0XXX
 - REFER TO PS-94550-001 FOR CONNECTOR SPECIFICATION
 - REFER TO SD-94518-005 AND SD-94549-001 FOR CRIMPING CHARACTERISTICS
 - CONNECTOR DISENGAGEMENT FORCE (PULLING BY THE WIRES, WITHOUT ACTUATING THE LATCH): 40 N MIN.
 - MINIMUM CONNECTOR WALL THICKNESS 0.40 mm.

CONFEZIONE: Box da 2200 Pz.
PACKAGING: 2200 pcs in carton box

P/N	MATERIAL/COLOR
*94550-9003	NYLON 6.6 V0 NATURAL
94550-4003	NYLON 6.6 GWT 750 °C sec.IEC 60335-1 TEST METHOD IEC 60695-2-11 NATURAL

* AGENCY RECOGNIZATIONS
CSA (file LR19980)
UL (file E-29179)



SPQ =2200

Std. Descr: "HSG W/SEC LOCK AND EXT LATCH 3 CKT _____ COLOR"

EC NO: Z2006-0056 DRWN: FGOTTARD 2005/10/14 CHKD: RSANDANI 2005/10/14 APPR: GZUIN 2005/10/17	QUALITY SYMBOLS	GENERAL TOLERANCES (UNLESS SPECIFIED)	SCALE 2:1	DESIGN UNITS METRIC	FIRST ANGLE PROJECTION	REVISE ON CAD ONLY
	▲ ± 0 ▽ ± 0	mm	INCH	DIMENSION STYLE MM ONLY		TITLE HSG 3 CKT WITH SEC.LOCK AND EXTERNAL LATCH MOLEX MOLEX INCORPORATED
		4 PLACES ± --- ± ---	3 PLACES ± --- ± ---	DRAWN BY FGOTTARD	DATE 2002/06/27	
		2 PLACES ± 0.10 ± ---	1 PLACE ± 0.2 ± ---	CHECKED BY MTESTAGU	DATE 2002/06/27	
A2	REV	ANGULAR ± 2 °	DRAFT WHERE APPLICABLE MUST REMAIN WITHIN DIMENSIONS		APPROVED BY GZUIN	DATE 2002/06/27
		THIS DRAWING CONTAINS INFORMATION THAT IS PROPRIETARY TO MOLEX INCORPORATED AND SHOULD NOT BE USED WITHOUT WRITTEN PERMISSION		MATERIAL NO. SEE TABLE	DOCUMENT NO. SD-94550-007	SHEET NO. 1 OF 1