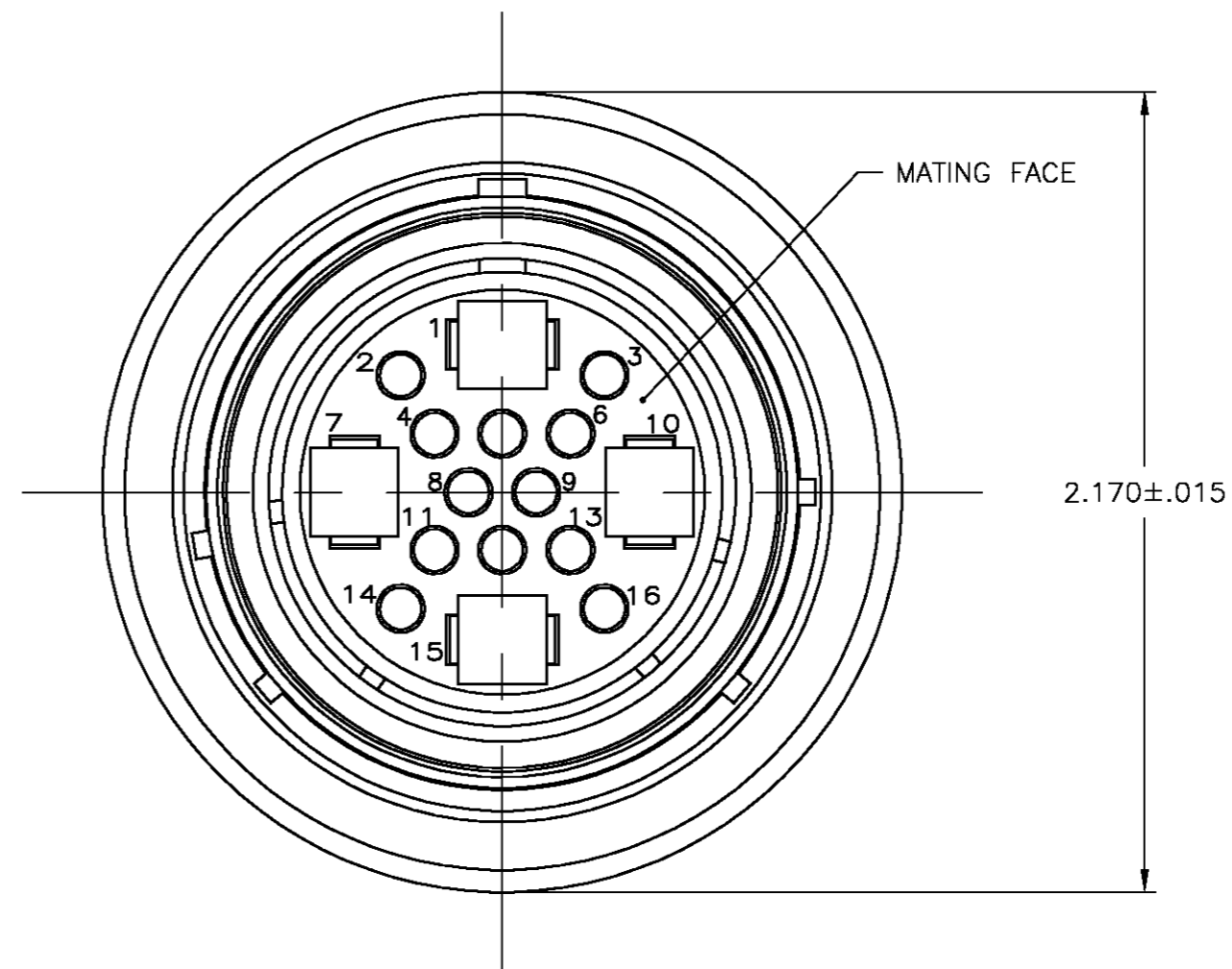
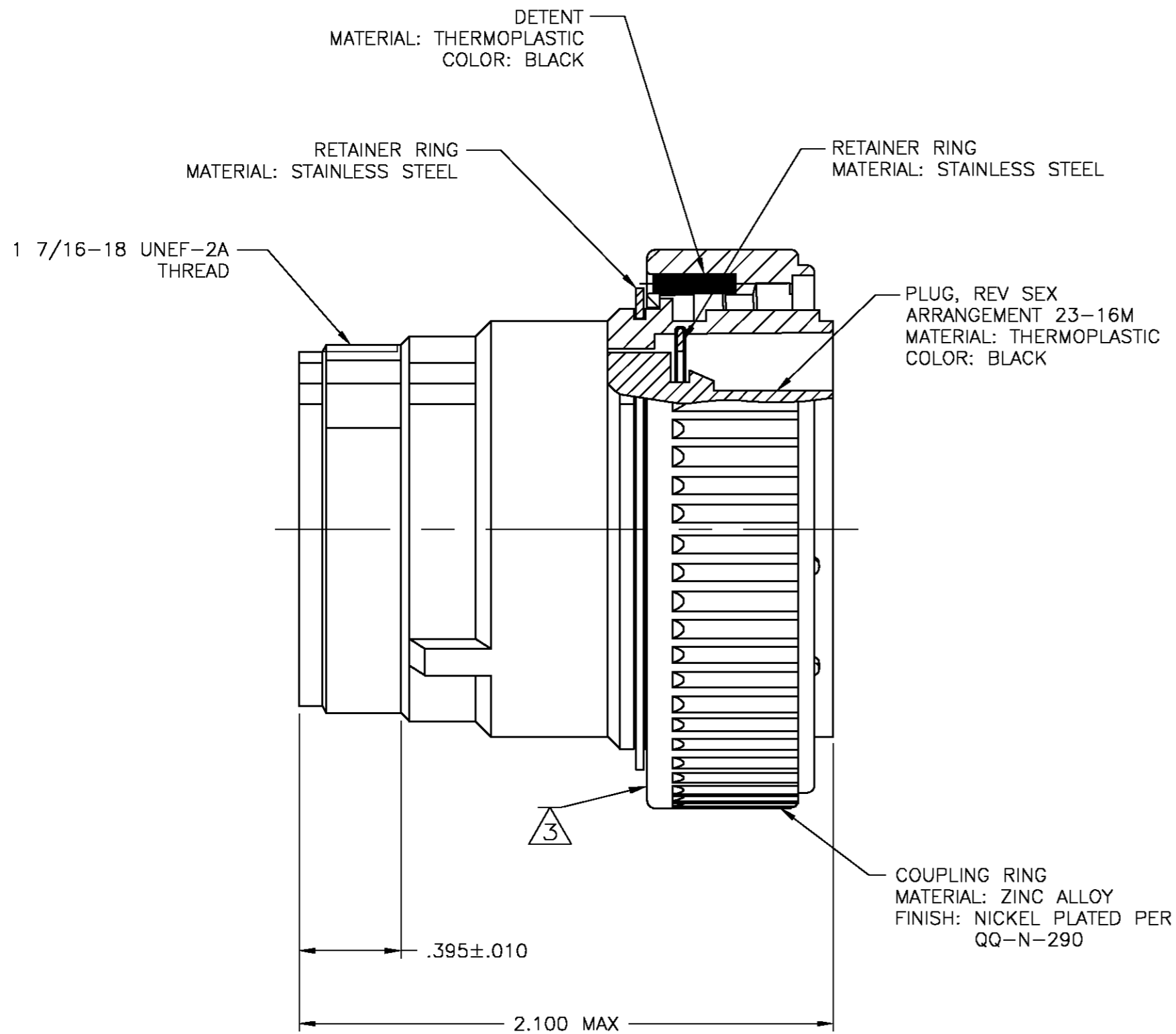


THIS DRAWING IS UNPUBLISHED. RELEASED FOR PUBLICATION
 © COPYRIGHT BY TYCO ELECTRONICS CORPORATION. ALL RIGHTS RESERVED.

LOC	DIST	REVISIONS			
P	LTR	DESCRIPTION	DATE	DWN	APVD
FT	0	0	REVISED PER 0G3B-0619-04	7/16/04	SS SH



NOTES:

- THIS CONNECTOR ACCEPTS (12) MULTIMATE PIN CONTACTS AND (4) TYPE XII MALE CONTACTS.
 - RECEPTACLE MATES WITH 1776088-1.
- AMP PART NUMBER AND DATE CODE TO BE LOCATED ON TOP SURFACE OF COUPLING RING.

1776089-1
PART NO.

THIS DRAWING IS A CONTROLLED DOCUMENT.		DWN	S SCHLEGEL	5/28/04	Tyco Electronics Corporation Harrisburg, Pa 17105-3608
DIMENSIONS: INCHES		CHK	S SCHLEGEL	5/25/04	
TOLERANCES UNLESS OTHERWISE SPECIFIED:		APVD	S HEADER	5/25/04	
0 PLC ± - 1 PLC ± - 2 PLC ± - 3 PLC ± - 4 PLC ± - ANGLES ± - FINISH -		PRODUCT SPEC	NAME		
MATERIAL	-	WEIGHT	-	SIZE	A2
CUSTOMER DRAWING		CAGE CODE	00779	DRAWING NO	C=1776089
SCALE		2:1		SHEET	1 OF 1
REV		0		RESTRICTED TO	

1776089