

PART NUMBER	REV	FIRST USED
567853-1	C	854040-4

TERMINAL NAME: TAB		286549	VISIBLE	CRIMPING DATA	
			PAD LTR	CRIMP HEIGHT	
				A	.043 ±.002 [1.14 ±0.05mm]
				B	NOT USED
				C	NOT USED
				D	NOT USED
				CRIMP SIZE TYPE RANGE	
				WIRE	.055 [1.40mm] F 0.5mm ²
				INSUL	.074 [1.88mm] TP ø1.2MM
WIRE STRIP LENGTH	TERM APPL SPEC	FEED	APPL INSTRUCTION	SET UP GAGE	LAYOUT
.177-.197		.394	SEE CUSTOMER MANUAL	NONE	L1874

2	-	C	4-354779-0	PIN, WIRE DISC (.3190)C	129
					128
					127
					126
1	-	A	986950-1	WASHER, FLAT PRECISION	125
1	-	A	217238-4	DOCUMENTATION PACKAGE	124
					123
					122
1	-	A	4-21028-0	PIN, SLT SPR (ø.093x.75) ST GDE PL	121
1	-	B	690701-2	PLATE, SERIAL NO.	120
2	-	A	21899-2	WASHER, FLAT (#10) S G ADJ BLK	119
					118
2	-	A	21024-5	WASHER, LOCK (#10) ADJ BLOCK	117
					116
					115
2	-	A	21024-2	WASHER, LOCK (#4) FRONT STP GUIDE	114
REF	-	A	21024-4	WASHER, LOCK (#8) FEED FINGER	113
2	-	A	21024-4	WASHER, LOCK (#8) DEP-HOLD	112
REF	-	A	21024-4	WASHER, LOCK (#8) STRIPPER	111
					110
					109
1	-	A	21018-5	NUT, HEX (#6) HOLD DOWN	108
					107
					106
					105
					104
1	-	A	21009-2	SCR, SKT SET (1/4-20x.25 LW) RAM	103
					102
4	-	A	21017-2	SCR, DRIVE (#2x.19) ID PLATE	101
1	-	B	819347-1	PLATE, IDENTIFICATION	100
2	-	A	3-21002-0	SCR, BHC (10-32x.88) DRAG	99
1	-	A	22733-8	SCR, BHC (8-32x.38 LW) ANVIL	98
					97
1	-	A	3-21000-8	SCR, SHC (10-32x.88) MOUNTING	96
1	-	A	2-21002-7	SCR, BHC (10-32x.50) SG ADJ BLK	95
6	-	A	2-21002-2	SCR, BHC (8-32x.50) SHEAR-TERM SUP	94
					93
					92
1	-	A	1-21002-7	SCR, SHC (6-32x.50) CAM	91
4	-	A	2-21000-7	SCR, SHC (8-32x.50) SCR BLK	90
					89
					88
					87
REF	-	A	2-22603-0	SCR, HEX HD (8-32x.31) FEED FINGER	86
2	-	A	1-21000-3	SCR, SHC (4-40x.25) F ST GUIDE	85
REF	-	A	22733-9	SCR, BHC (8-32x.50 SL) STRIPPER	84
					83
					82
1	-	A	3-22603-1	SCR, HEX (10-32x.38) SG ADJ BL	81
					80
					79
					78
2	-	B	463310-5	BLADE, STRIPPING (#20)	77
-	-	D	354440-3	FFC LOOP ASSY	76
					75
1	-	A	690603-1	SPRING, ASSIST	74
1	-	A	23030-1	SCR, SKT CAP (6-32x.25) CP DSC	73
					72
2	-	B	853495-1	GASKET	71
					70
					69
					68
					67
					66
					65
					64
					63
					62
					61
					60
					59
					58
1	-	A	7-21013-3	SCR, SET (5/16x.38) CR BOLT	57
REF	-	B	694433-8	PAWL, FEED	56
					55
					54
					53
					52
1	-	A	811242-2	BUMPER, HOLDDOWN	51
1	-	A	690753-1	SPACER, TONKER	50
					49
1	-	A	690602-6	CAM, PRE-FEED 1.62 STROKE	48
					47
					46
1	-	A	690191-1	PLUG, NYLON	45
1	-	C	853493-4	SIDE FEED RAM ASSY	44
1	-	A	690125-1	WASHER, LAMINATED	43
1	-	A	690124-1	WASHER, RAM	42
1	-	A	690686-2	BOLT, CRIMPER (5/16x1.00)	41
1	-	A	23241-6	BALL, STEEL	40
1	-	A	690170-1	SPRING, COMPRESSION	39
1	-	C	690142-6	DISC, INSULATION	38
1	-	D	354777-1	WIRE DISC, PLASTIC	37
1	-	A	22480-5	WASHER, SPRING	36
1	-	B	856041-1	POST, RAM	35
1	-	B	690786-1	SUPPORT, TERMINAL	34
1	-	C	462544-1	PLATE, BASE SPECIAL	33
1	-	A	690432-3	SCREW, ADJUSTMENT	32
1	-	B	462543-1	BLOCK, SCREW SPECIAL	31
1	-	B	455689-1	BLOCK, STRIP GUIDE ADJ	30
1	-	C	455671-1	PLATE, STRIP GUIDE	29
					28
2	-	A	1-22284-0	SPRING, DRAG	27
1	-	B	690546-1	LEVER, DRAG RELEASE	26
1	-	B	240792-1	DRAG, TERMINAL	25
1	-	D	6-690504-3	GUIDE, STRIP (REAR)	24
1	-	A	690438-1	GUIDE, STRIP (FRONT)	23
					22
1	-	A	463756-1	GUIDE, SCRAP	21
1	-	A	904275-1	SUPPORT, SPRING	20
REF	-	C	462615-1	STRIPPER	19
1	-	B	904225-1	JAW ASSY	18
					17
					16
2	-	A	1-21989-4	SCR, SHLD	15
1	-	B	904274-1	DEPRESSOR	14
2	-	A	6-22281-3	SPRING, DEPRESSOR	13
1	-	A	6-22279-4	SPRING, SHEAR	12
1	-	B	690461-2	STOP, SHEAR (FRONT)	11
1	-	B	462548-3	HOLDER, SHEAR (FRONT) SP	10
1	-	B	462547-4	SHEAR, FLOAT (FRONT) SP	9
1	-	C	662183-1	ANVIL	8
1	-	A	576266-4	WIRE DEPRESSOR	7
1	-	A	919474-5	SPACER, CRIMPER	6
1	-	B	904273-1	DEPRESSOR, MOUNT	5
1	-	B	1-238011-0	SPACER, BLOCK CRIMPER	4
1	-	C	1213076-1	CRIMPER, INSULATION	3
1	-	C	1-455888-2	SPACER, CRIMPER	2
1	-	C	2-456402-5	CRIMPER, WIRE	1

QTY REQD PER ASSY	U/M	DWG SIZE	PART NO	DESCRIPTION	ITEM NO
-------------------	-----	----------	---------	-------------	---------

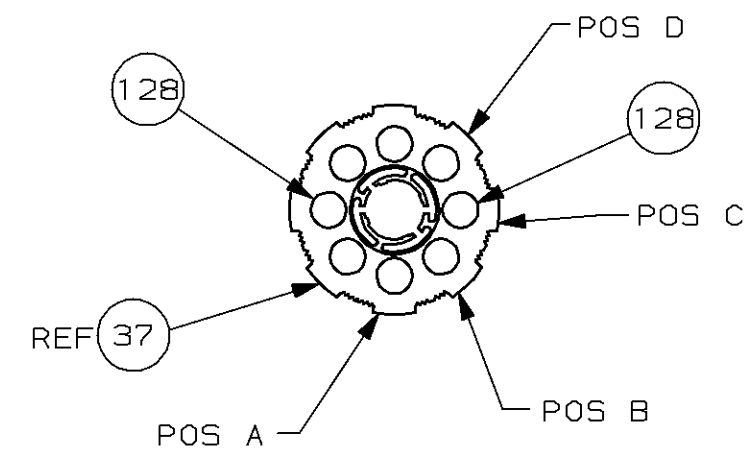
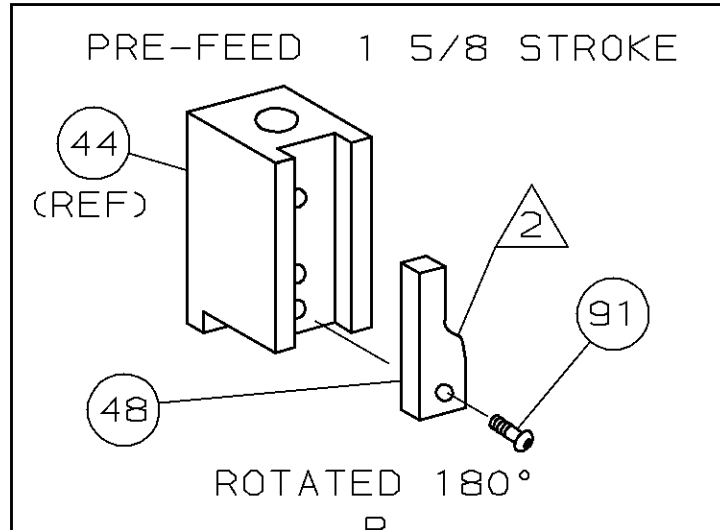
P/F LTR		REVISION RECORD		APP DATE	
C	0150-8202-97	TB	1-98		
B	0150-8009-97	TB	9-97		
A	RELEASED	CE	5-97		

QTY REQD PER ASSY	U/M	DWG SIZE	PART NO	DESCRIPTION	ITEM NO
REVISION OF EACH ASSY NO (WHEN BLANK, USE DWG REVISION)					
-1	U/M	DWG SIZE	PART NO	DESCRIPTION	ITEM NO
PARTS LIST					
DIMENSIONS IN INCHES. DO NOT SCALE PRINT. TOLERANCES UNLESS OTHERWISE SPECIFIED.					
2 PLC DEC ±					
3 PLC DEC ±					
4 PLC DEC ±					
ANGLES ± SURF TEXTURE: REMOVE BURRS, BREAK SHARP EDGES R.015 MAX					
MACHINING			FIN		
MATL		HT TR		FIN	
DR R.O. WILSON		APP 28JAN97		J. HIRNEISEN	
CHK 27JAN97		REL		-	
C. ERISMAN					
NAME: CQM STRIPPER CRIMPER APPLICATOR					
SCALE: -					
DWG NO: 567853					
MACHINE REF: STRIPPER CRIMPER					
SHEET: 1 OF 1					
REV: C					

THIS DRAWING IS A CONTROLLED DOCUMENT FOR AMP INCORPORATED. IT IS SUBJECT TO CHANGE AND THE CONTROLLING ENGINEERING ORGANIZATION SHOULD BE CONTACTED FOR THE LATEST REVISION.

THIS INFORMATION IS CONFIDENTIAL AND IS DISCLOSED TO YOU ON CONDITION THAT NO FURTHER DISCLOSURE IS MADE BY YOU TO OTHER THAN AMP PERSONNEL WITHOUT WRITTEN AUTHORIZATION FROM AMP INCORPORATED, HARRISBURG, PA.

- 1 RECOMMENDED SPARE PARTS.
- 2 GREASE LIGHTLY.
- 3 ITEM NOT SHOWN
- 4 TORQUE ITEM 41 TO 60 INCH POUNDS
- 5 ATTACH ITEM 20 TO ITEM 33 USING ADHESIVE PART NUMBER 28998-6.
- 6 APPLY TERMINAL PER TRW SAFETY SYSTEMS SPEC TRWES01063A.



567853