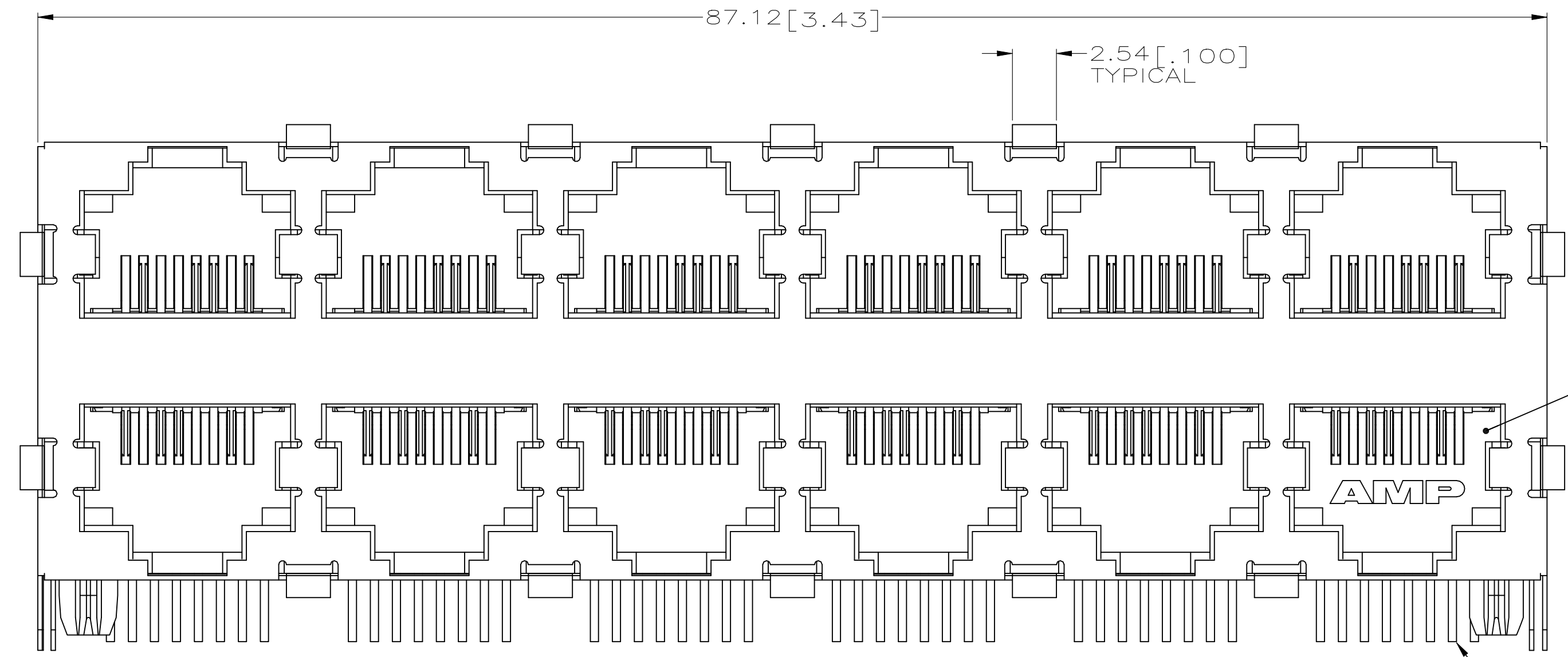
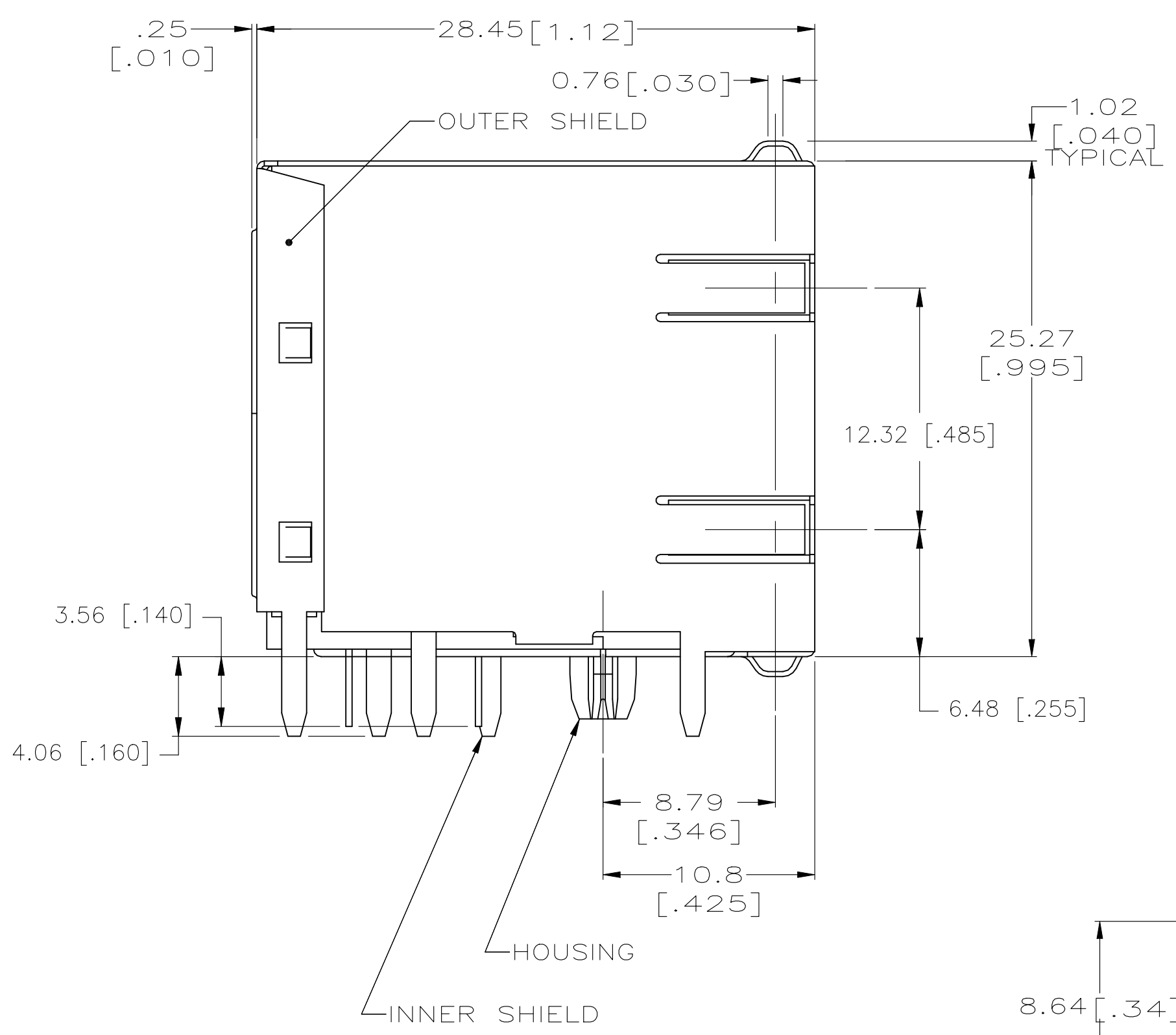


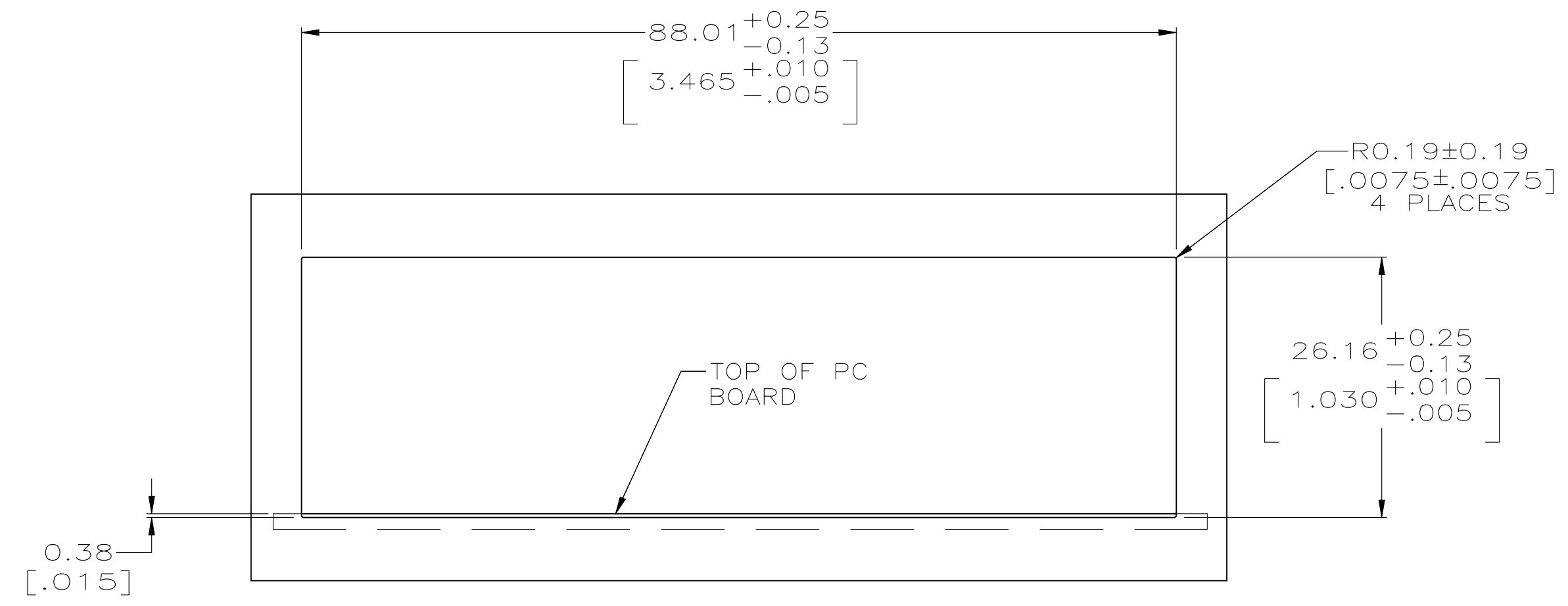
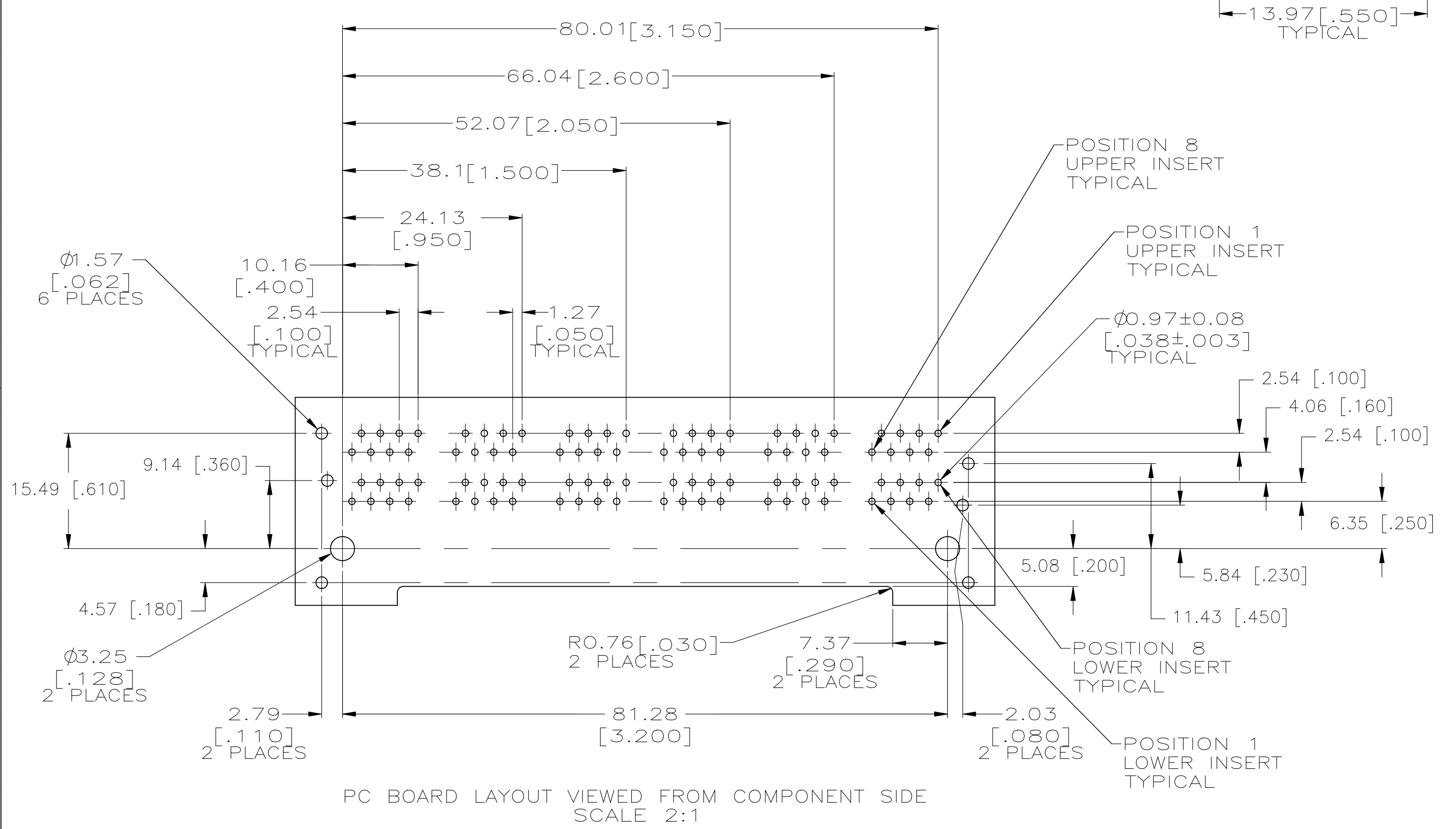
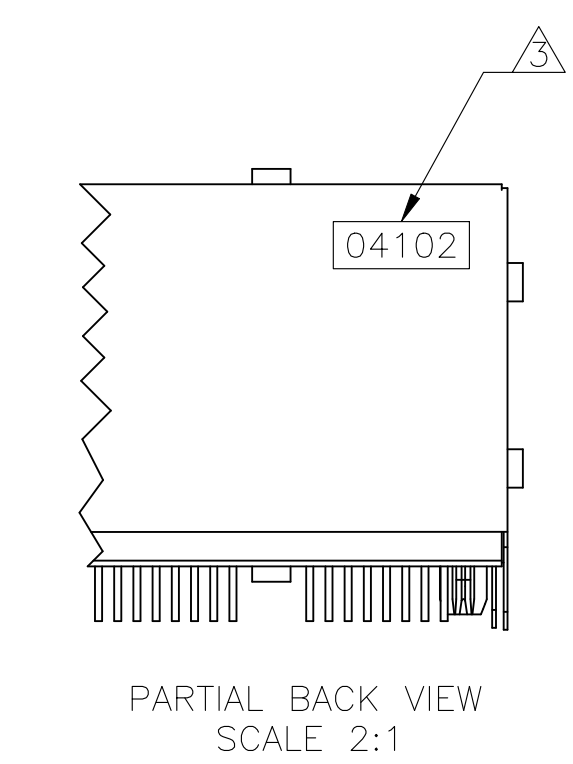
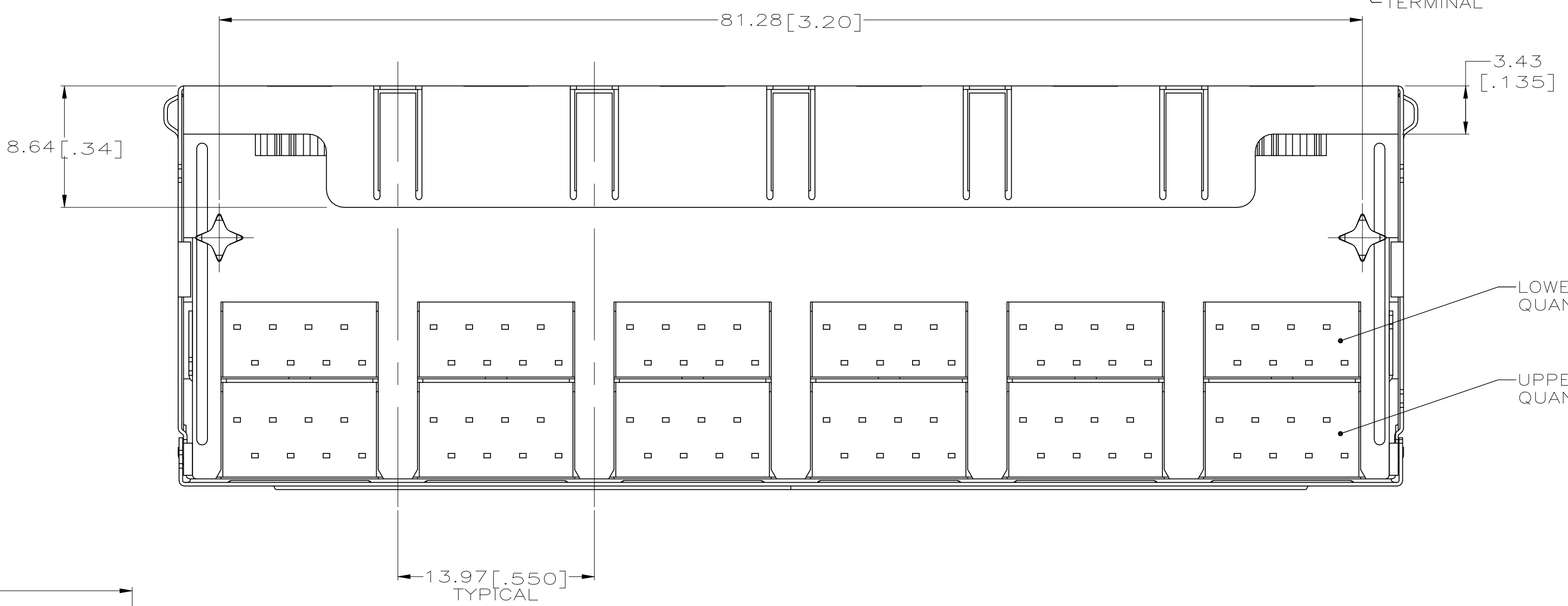
REVISIONS					
REV	DESCRIPTION	DATE	BY	CHK	APP'D
B3	REVISED AS PER ECR-23-169440.	19APR2023	JK	WH	



MATERIAL:
 HOUSING - PCT POLYESTER, BLACK, UL94V-0.
 OVERMOLDED TERMINAL ARRAY - PBT, BROWN.
 TERMINALS - 0.33 [.013] THICK PHOS BRONZE PLATED WITH 1.27um [.000050] MIN THICK HARD GOLD IN LOCALIZED AREA AND 3.81um [.000150] MIN THICK MATTE TIN IN SOLDER AREA OVER 1.27um [.000050] MIN THICK NICKEL UNDERPLATE.
 OUTER SHIELD AND INNER SHIELD - 0.25 [.010] THICK COPPER ALLOY PLATED WITH 1.27 um [.000050] MINIMUM NICKEL AND 2.03 um [.000080] MINIMUM HOT TIN DIP ON PCB GROUND TABS.

JACK CAVITY CONFORMS TO FCC RULES AND REGULATIONS, PART 68 SUBPART F.

DATE CODE LOCATED ON REAR OF PART APPROXIMATELY AS SHOWN:
 FIRST 2 DIGITS ARE LAST 2 DIGITS OF YEAR, SECOND 2 DIGITS ARE MANUFACTURING WORK WEEK, LAST DIGIT IS DAY OF WEEK, WITH SUNDAY = 1.



PC BOARD LAYOUT VIEWED FROM COMPONENT SIDE SCALE 2:1

SUGGESTED PANEL CUTOUT DIMENSIONS SCALE 2:1

5569263-1
PART NUMBER

THIS DRAWING IS A CONTROLLED DOCUMENT.		DIN T. SPRINKLE/L.A. MAYER 25MAY2005		STE TE Connectivity	
DIMENSIONS: mm [INCHES]		TOLERANCES UNLESS OTHERWISE SPECIFIED:		APVD S. FLICKINGER 25MAY2005 NAME	
0. PLC ± -		1. PLC ± -		PRODUCT SPEC	
1. PLC ± -		2. PLC ± 0.25(.01)		108-1163-2	
2. PLC ± -		3. PLC ± 0.13(.005)		APPLICATION SPEC	
3. PLC ± -		4. PLC ± -		114-2048	
4. PLC ± -		ANGLES ± -		SIZE CODE DRAWING NO	
MATERIAL SEE NOTE 1		FINISH SEE NOTE 1		WEIGHT 0.000000	
				A1 00779 C=5569263	
				CUSTOMER DRAWING	
				SCALE 4:1 SHEET 1 of 1 REV B3	