

PART NO.	A24002-004	REV	ECO	DATE	APP
		B	103927	10-30-17	TLM

MATERIALS & SPECIFICATIONS

INSULATOR:
 POLYPHENYLENE SULFIDE (PPS)
 PER MIL-M-24519, TYPE GST
 40F.

CONTACT:
 BERYLLIUM COPPER PER ASTM
 B194, C17200. GOLD PLATED
 PER ASTM B488, (HARD GOLD)
 TYPE II CODE C CLASS 1.27.

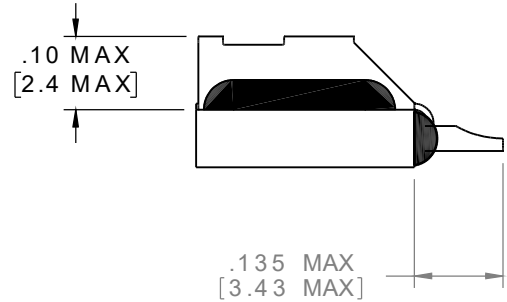
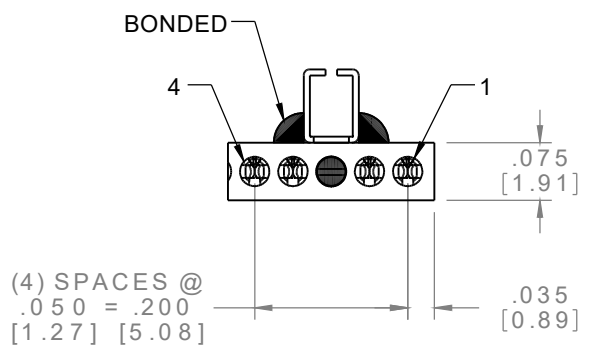
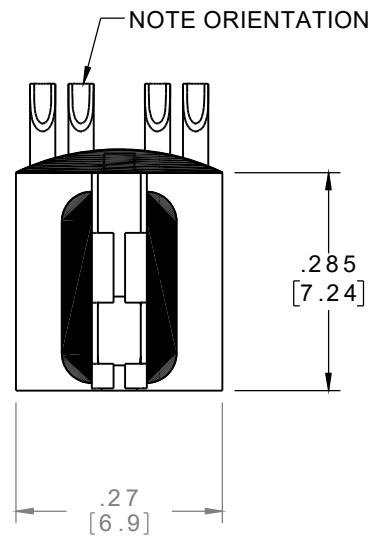
TERMINATION:
 SOLDER PLATED PER AMS-P-
 81728.

LATCH BOX:
 BERYLLIUM COPPER PER ASTM
 B194 NICKEL PLATE PER SAE-
 AMS-2404

CURRENT CAPACITY:
 3 AMP MAX.

CONTACT RESISTANCE:
 26 MILLIOHMS (65mV) MAX @
 2.5 AMPS.

PERFORMANCE:
 PRODUCT FAMILY TESTED TO AND
 PASSED THE PERFORMANCE
 SPECIFICATIONS OF TABLE VII OF
 MIL-DTL-83513.



NOTE:
 DIMENSIONS IN [] ARE IN
 MILLIMETERS UNLESS
 OTHERWISE NOTED AND ARE
 FOR REFERENCE ONLY

PST SLDW	THIRD ANGLE	THIS DRAWING CONTAINS CONFIDENTIAL AND PROPRIETARY INFORMATION WHICH IS THE PROPERTY OF OMNETICS CONNECTOR CORP. THIS DOCUMENT MAY NOT, IN WHOLE OR IN PART, BE DUPLICATED, OR DISCLOSED FOR ANY PURPOSE, WITHOUT WRITTEN PERMISSION FROM OMNETICS CONNECTOR CORP.	
	-TOLERANCES- UNLESS OTHERWISE NOTED DIMENSIONS IN INCHES	DFTM. MJM	DATE 03-29-13
	2 PL DEC ± .01	CHK'D.	DATE
	3 PL DEC ± .005	APP'D.	DATE
4 PL DEC ± .0005	TITLE: (4) PIN MALE SINGLE ROW CONNECTOR W/LATCH		
ANGLES ± 1°			

OMNETICS
 CONNECTOR CORPORATION
 7260 COMMERCE CIRCLE EAST
 MINNEAPOLIS, MN 55432
 WWW.OMNETICS.COM

CAGE CODE 61873	DWG NO. A24002-004
SHEET 1 OF 1	REV B
SCALE: 4:1	