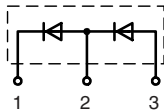
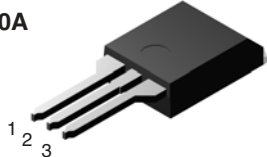


Gallium Arsenide Schottky Rectifier

Second generation
 ISOPLUS220™
 Electrically Isolated Back Surface

Preliminary Data

$V_{RRM} = 600\text{ V}$ (2x300V)
 $I_{DC} = 38\text{ A}$
 $C_{Junction} = 16\text{ pF}$

Type	Marking on product	Circuit	Package
DGSS 20-06CC	DGSS 20-06CC		ISOPLUS220A 

Diode		
Symbol	Conditions	Maximum Ratings
$V_{RRM/RSM}$	(between terminal 1 and 3)	600 V
$V_{RRM/RSM}$		300 V
I_{FAV}	$T_C = 25^\circ\text{C}$; DC	38 A
I_{FAV}	$T_C = 90^\circ\text{C}$; DC	23 A
I_{FSM}	$T_{VJ} = 45^\circ\text{C}$; $t_p = 10\text{ ms}$ (50 Hz), sine	110 A
P_{tot}	$T_C = 25^\circ\text{C}$	45 W

Features

GaAs Schottky Diode with Enhanced Barrier Height:

- lowest operating forward voltage drop due to additional injection of minority carriers
- high switching speed
 - low junction capacity of GaAs diode independent from temperature
 - short and low reverse recovery current peak due to short lifetime of minority carriers
 - soft turn off
- low leakage current

ISOPLUS220™ Package:

- isolated back surface
- low coupling capacity between pins and heatsink
- enlarged creepage
- high reliability
- industry standard outline

Applications

*Power Factor Correction (PFC)
 Switched Mode Power Supplies:*

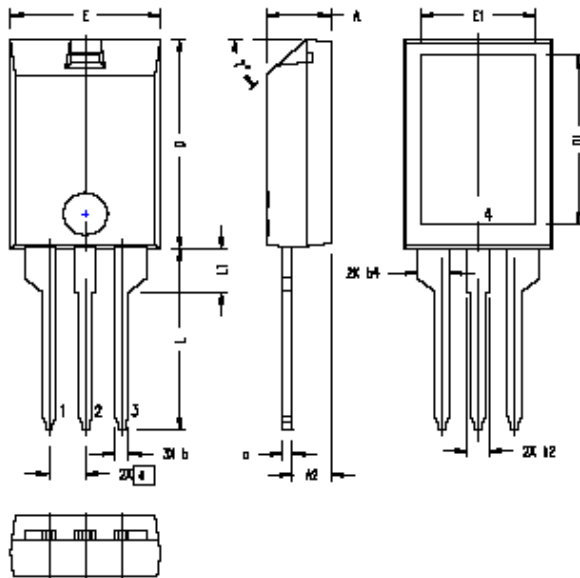
- AC-DC converters
 - DC-DC converters
- with:*
- high switching frequency
 - high efficiency
 - low EMI
- for use e. g. in:*
- telecom
 - computer
 - automotive equipment

Symbol	Conditions	Characteristic Values		
		min.	typ.	max.
V_F	$I_F = 20\text{ A}$; $T_{VJ} = 25^\circ\text{C}$		1.7	2.1 V
	$I_F = 20\text{ A}$; $T_{VJ} = 125^\circ\text{C}$		1.2	V
I_R	$V_R = V_{RRM}$; $T_{VJ} = 25^\circ\text{C}$			0.4 mA
	$V_R = V_{RRM}$; $T_{VJ} = 125^\circ\text{C}$		40	μA
I_{RM}	} $I_F = 5\text{ A}$; $-di_F/dt = 150\text{ A}/\mu\text{s}$; $V_R = 150\text{ V}$; $T_{VJ} = 125^\circ\text{C}$		2.1	A
			20	ns
C_J	$V_R = 150\text{ V}$; $T_{VJ} = 125^\circ\text{C}$		16	pF
R_{thJC}				3.5 K/W

Data according to IEC 60747 and per diode unless otherwise specified

Component			
Symbol	Conditions	Maximum Ratings	
I_{RMS}	per pin	45	A
T_{VJ}		-55...+175	°C
T_{stg}		-55...+150	°C
V_{ISOL}	$I_{ISOL} \leq 1 \text{ mA}; 50/60 \text{ Hz}$	2500	V~
F_c	mounting force with clip	10...50	N

Symbol	Conditions	Characteristic Values		
		min.	typ.	max.
C_p	coupling capacity between shorted pins and mounting tab in the case		15	pF
R_{thcs}			0.3	K/W
Weight			2	g

ISOPLUS220 OUTLINE


SYM	INCHES		MILLIMETERS	
	MIN	MAX	MIN	MAX
A	.157	.197	4.00	5.00
A2	.098	.118	2.50	3.00
b	.035	.051	0.90	1.30
b2	.049	.065	1.25	1.65
b4	.093	.100	2.35	2.55
c	.028	.039	0.70	1.00
D	.591	.630	15.00	16.00
D1	.472	.512	12.00	13.00
E	.394	.433	10.00	11.00
E1	.295	.335	7.50	8.50
e	.100 BASIC		2.55 BASIC	
L	.512	.571	13.00	14.50
L1	.118	.138	3.00	3.50
T*			42.5*	47.5*

NOTE:

1. Bottom heatsink (Pin 4) is electrically isolated from Pin 1, 2, or 3.
2. This drawing will meet dimensional requirement of JEDEC SS Product Outline TO-273 except D and D1 dimension.