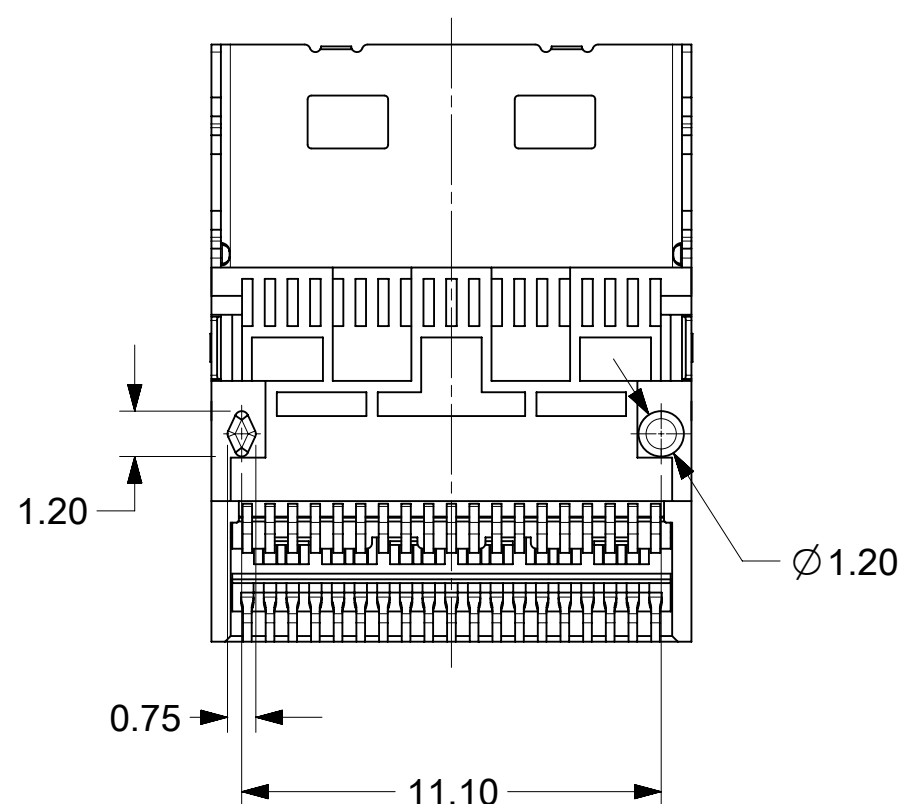
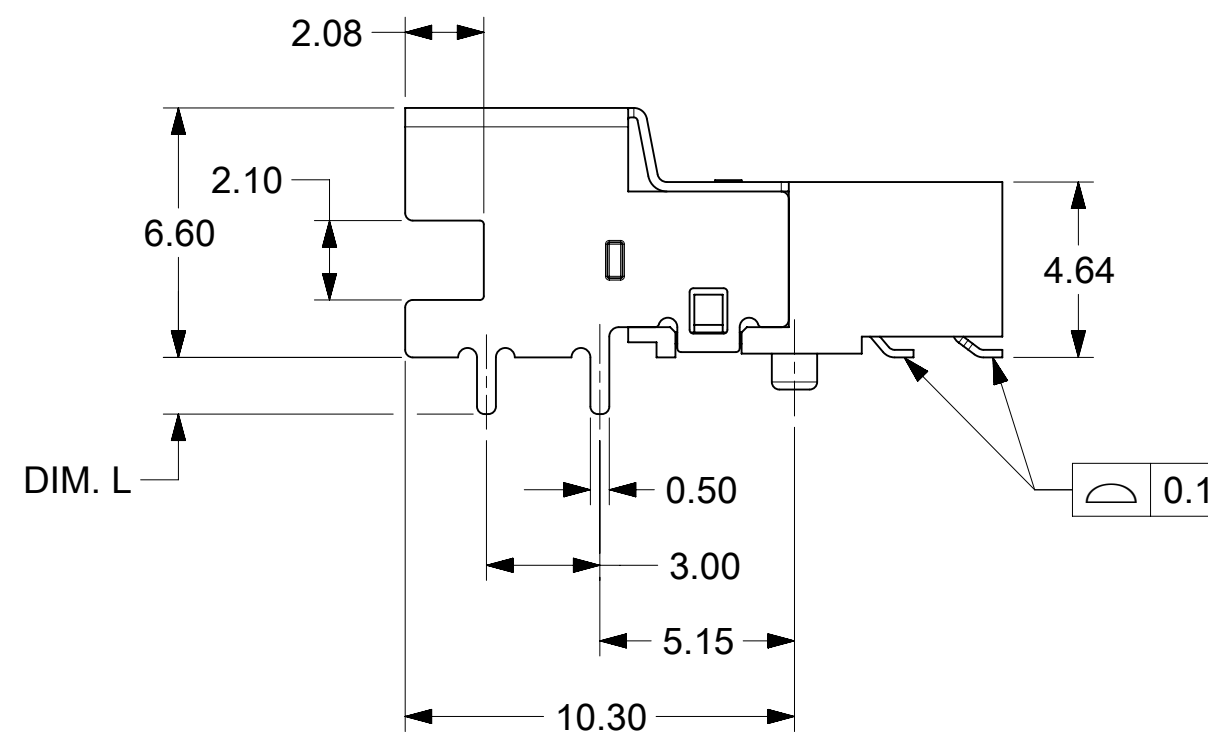
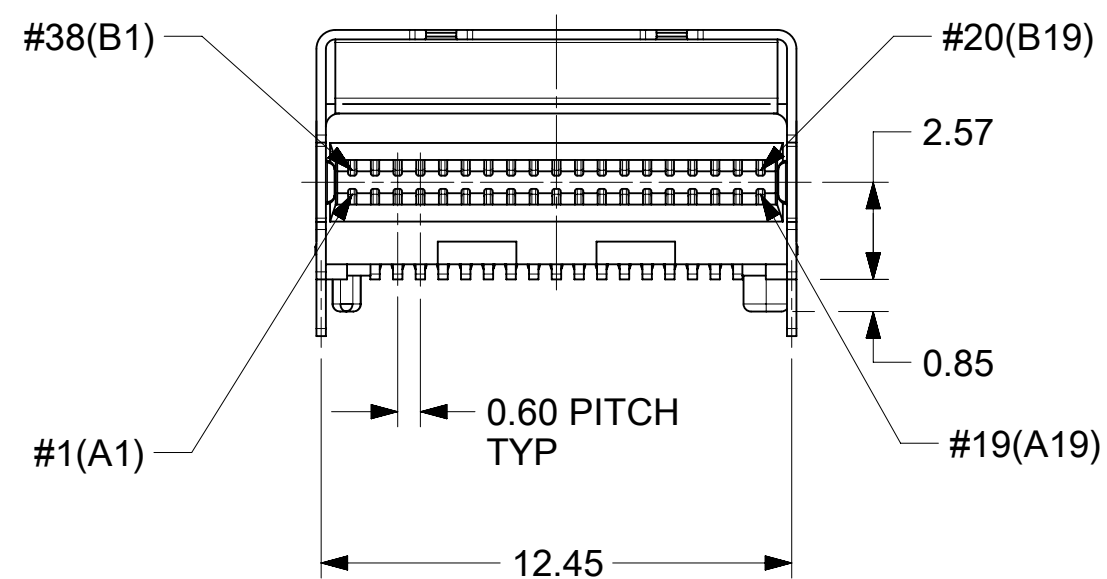
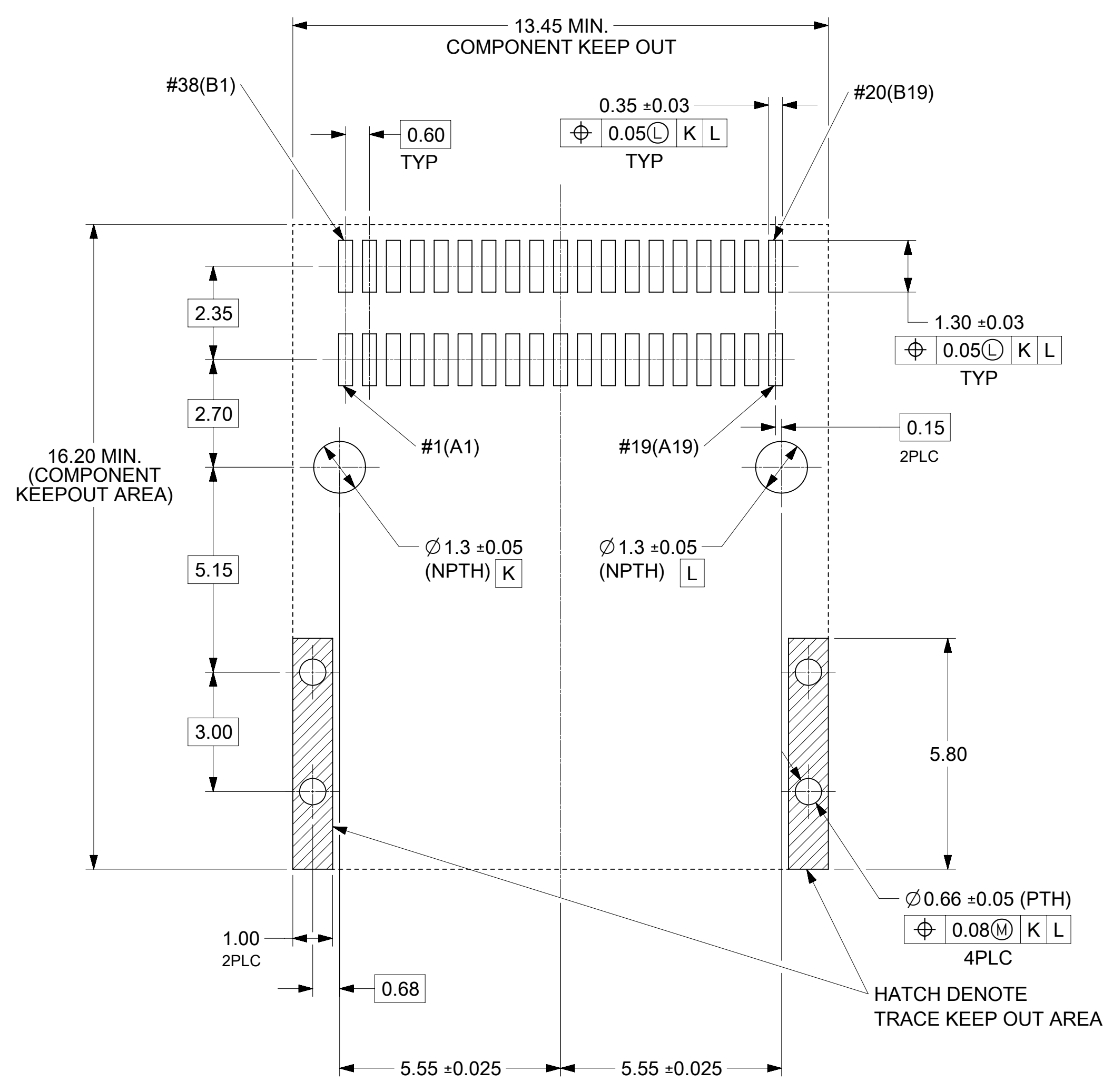


- NOTE:
- MATERIAL:
HOUSING : LCP, UL94-V0, BLACK COLOR
INSERT MOLD: LCP, UL94-V0, BLACK COLOR
CONTACT: COPPER ALLOY
GROUND: COPPER ALLOY
SHELL: NICKEL SILVER
 - FINISH:
CONTACT:
GOLD PLATING (SEE TABLE) ON CONTACT AREA
100u" MIN. MATTE TIN PLATING ON SOLDERTAIL
50u" MIN. NICKEL UNDER PLATING OVERALL
GROUND:
50u" MIN. NICKEL PLATING OVERALL
 - SOLDERTAILS COPLANARITY TO BE 0.1 MAXIMUM.
 - ROHS COMPLIANT



0.375[15u"]	4.2	2119664108
	3.0	2119664107
	2.2	2119664106
	1.5	2119664105
0.75um[30u"]	4.2	2119664104
	3.0	2119664103
	2.2	2119664102
GOLD PLATING	DIM. L	PART NUMBER

FUNCTIONAL SYMBOLS $\nabla_A = 0$ $\nabla_C = 0$ $\nabla_P = 0$ DIVISIONAL SYMBOLS	THIS DRAWING CONTAINS INFORMATION THAT IS PROPRIETARY TO MOLEX ELECTRONIC TECHNOLOGIES, LLC AND SHOULD NOT BE USED WITHOUT WRITTEN PERMISSION		CURRENT REV DESC:				
	DIMENSION UNITS	SCALE	EC NO: 690306				
	mm	5:1	DRWN: ETSENG 2021/12/27				
	GENERAL TOLERANCES (UNLESS SPECIFIED)		CHK'D: ETSENG 2021/12/30				
	ANGULAR TOL ± °		APPR: VPENG01 2021/12/30				
4 PLACES ±		INITIAL REVISION:		DOCUMENT NUMBER	DOC TYPE	DOC PART	REVISION
3 PLACES ± 0.15		DRWN: SHOU 2019/11/18		2119664101	PSD	000	D
2 PLACES ± 0.25		APPR: ETSENG 2020/02/17		MATERIAL NUMBER	CUSTOMER		SHEET NUMBER
1 PLACE ± 0.35		THIRD ANGLE PROJECTION		SEE TABLE			1 OF 2
0 PLACES ±		DRAWING SERIES		C-SIZE	211966		
DRAFT WHERE APPLICABLE MUST REMAIN WITHIN DIMENSIONS		DRAWING SERIES					



FUNCTIONAL SYMBOLS $\frac{F}{A} = 0$ $\frac{F}{C} = 0$ $\frac{F}{P} = 0$ DIVISIONAL SYMBOLS	THIS DRAWING CONTAINS INFORMATION THAT IS PROPRIETARY TO MOLEX ELECTRONIC TECHNOLOGIES, LLC AND SHOULD NOT BE USED WITHOUT WRITTEN PERMISSION		CURRENT REV DESC:		
	DIMENSION UNITS	SCALE	EC NO: 690306		
	mm	10:1	DRWN: ETSENG 2021/12/27		
	GENERAL TOLERANCES (UNLESS SPECIFIED)		CHK'D: ETSENG 2021/12/30		
ANGULAR TOL ± °		APPR: VPENG01 2021/12/30		PRODUCT CUSTOMER DRAWING	
4 PLACES ±		INITIAL REVISION:		DOCUMENT NUMBER	DOC TYPE DOC PART REVISION
3 PLACES ± 0.15		DRWN: SHOU 2019/11/18		2119664101	PSD 000 D
2 PLACES ± 0.25		APPR: ETSENG 2020/02/17			
1 PLACE ± 0.35		DRAFT WHERE APPLICABLE MUST REMAIN WITHIN DIMENSIONS		MATERIAL NUMBER	CUSTOMER
0 PLACES ±		THIRD ANGLE PROJECTION	DRAWING	SERIES	SHEET NUMBER
			C-SIZE	211966	SEE TABLE