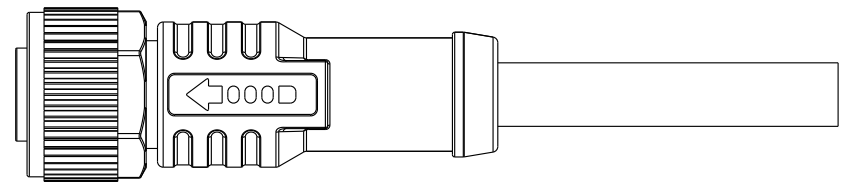
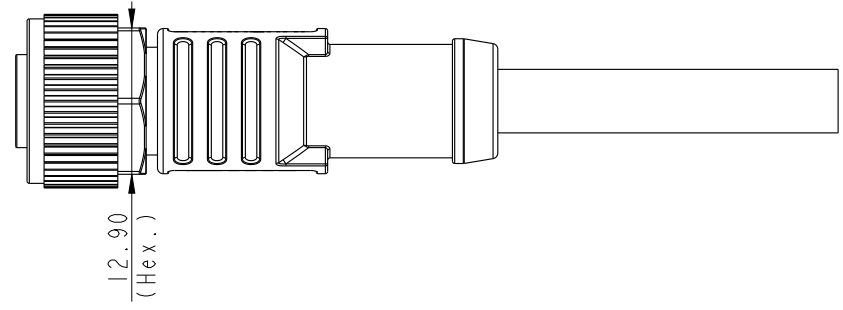
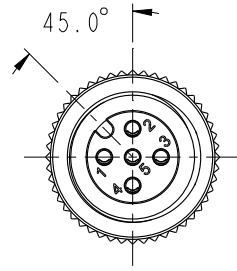
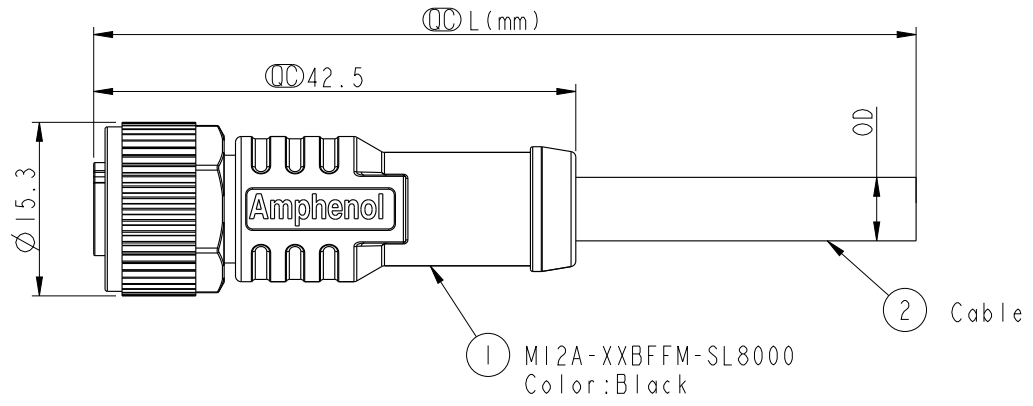


THIS DOCUMENT IS SUBJECT TO CHANGE WITHOUT NOTICE. IT IS CONFIDENTIAL AND A PROPERTY OF Amphenol LTW. DISCLOSURE TO THIRD PARTY HAS TO BE AUTHORIZED BY Amphenol LTW.

REV.	ECN NO.	DATE	SIGN	DESCRIPTION



- Notes:
- \*  $\varnothing$  Important Dimension.
  - \* Waterproof Rate: IP68, IP69K.
  - \* Connector: Thermoplastic, Black
  - \* Female Pin: Copper Alloy, Gold Plated.
  - \* Screw Nut: Metal.
  - \* Outer Mold: Thermoplastic, Black
  - \* Cable: UL20549, TPU Jacket, Black. (High bending cable)
  - \* Rated Voltage: 3 & 4Pin 250V dc. or ac.  
5Pin 60V dc. or ac.  
6~12Pin 30V dc. or ac.
  - \* Rated Current: 3~5Pin 4A  
6~8Pin 2A  
10~12Pin 1.5A
  - \* Operating Temperature: -20~80°C
  - \* Cable Length Tolerance: 01M:±40mm  
02M~05M:±60mm  
06M~10M:±100mm  
11M~30M:±200mm  
31M~99M:±500mm

UNIT: mm		
TOLERANCE	±0.5mm	

TITLE MI2 A Type Cable Female Conn.			
SCALE 1:1	SIZE A4	SHEET 1 OF 2	
REV. A	WC-REV. .0	$\varnothing$ : Inspection item	

**Amphenol LTW**  
安費諾亮泰企業股份有限公司

ITEM NO	DRAWN BY Ouyang	DATE 2020-11-18
DWG NO MI2A-XXBFFM-SL8NXX	CHECKED BY Jerry	DATE 2020-11-18
CUSTOMER ALTW	APPROVED BY Fred	DATE 2020-11-18

THIS DOCUMENT IS SUBJECT TO CHANGE WITHOUT NOTICE. IT IS CONFIDENTIAL AND A PROPERTY OF Amphenol LTW. DISCLOSURE TO THIRD PARTY HAS TO BE AUTHORIZED BY Amphenol LTW.

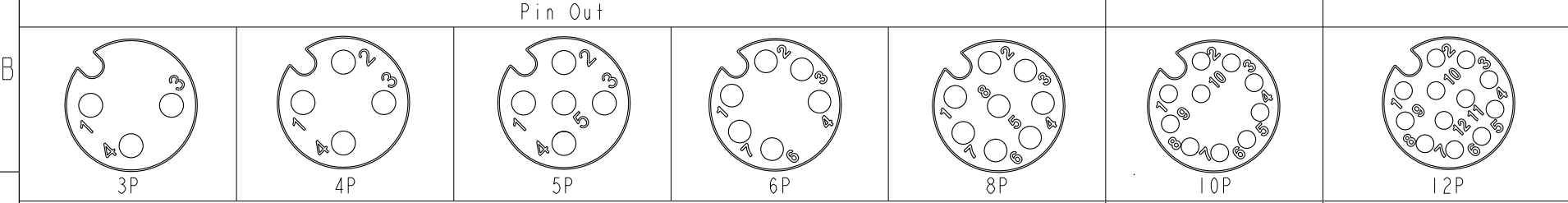
12P	TPU	6.2	26	M12A-12BFFM-SL8NXX
10P		6.0	26	M12A-10BFFM-SL8NXX
8P		6.7	24	M12A-08BFFM-SL8NXX
6P		5.5	24	M12A-06BFFM-SL8NXX
5P		5.6	22	M12A-05BFFM-SL8NXX
4P		5.4	22	M12A-04BFFM-SL8NXX
3P		5.2	20	M12A-03BFFM-SL8NXX
Contacts	Cable Jacket	Cable OD	AWG	Item No.

M12A-XXBFFM-SL8NXX

XX: No. Of Pin

XX: 01-99Meters  
 01: 01Meter  
 02: 02Meters  
 .  
 99: 99Meters

5 4 3 2 1	----- White 白 Blue 藍 ----- Brown 棕	5 4 3 2 1	----- orange 橘 Red 紅 Brown 棕 Black 黑	5 4 3 2 1	Yellow 黃 orange 橘 Red 紅 Brown 棕 Black 黑	8 7 6 5 4 3 2 1	----- Gray 灰 Yellow 黃 Green 綠 White 白 Blue 藍 Brown 棕	8 7 6 5 4 3 2 1	Violet 紫 Blue 藍 Green 綠 Yellow 黃 orange 橘 Red 紅 Brown 棕 Black 黑	10 9 8 7 6 5 4 3 2 1	purple 紫 Black 黑 Red 紅 Pink 粉 Gray 灰 Yellow 黃 Green 綠 White 白 Blue 藍 Brown 棕	12 11 10 9 8 7 6 5 4 3 2 1	Red/Blue 紅/藍 Gray/Pink 灰/粉 purple 紫 Black 黑 Red 紅 Pink 粉 Gray 灰 Yellow 黃 Green 綠 White 白 Blue 藍 Brown 棕
Pin #	Wire	Pin #	Wire	Pin #	Wire	Pin #	Wire	Pin #	Wire	Pin #	Wire	Pin #	Wire



Pin Assignments Front View

UNIT:mm TOLERANCE ±0.5mm	 	TITLE M12 A Type Cable Female Conn.		<h1 style="text-align: center;">Amphenol LTW</h1> <h2 style="text-align: center;">安費諾亮泰企業股份有限公司</h2>	ITEM NO	DRAWN BY	DATE	
		SCALE 1:1	SIZE A4		SHEET 2 OF 2	DWG NO M12A-XXBFFM-SL8NXX	CHECKED BY Jerry	DATE 2020-11-18
		REV. A	WC-REV. .0		QC: Inspection item	CUSTOMER ALTW	APPROVED BY Fred	DATE 2020-11-18