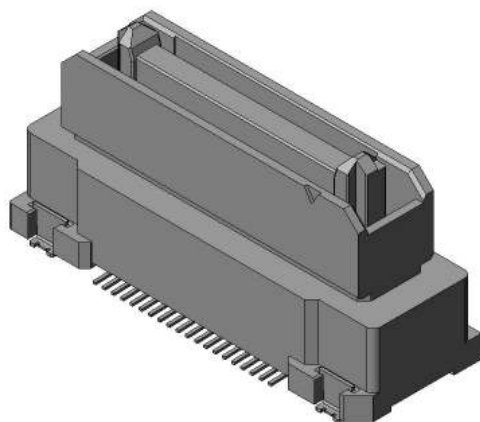


# MA01F040VABBR300

## Product Details



### Features

Floating Board-to-board Connector, 8 Gbps+ high-speed transmission (10GBASE-KR and PCIe Gen3 equivalent), Automotive Grade, 40 pos., 0.635mm pitch, 12.3 mm height, Floating side Straight type

<b>Part Number</b>	<b>MA01F040VABBR300</b>
<b>Status</b>	<b>Active</b>
<b>Number of Positions</b>	40 pos.
<b>Contact Pitch</b>	0.635 mm pitch
<b>Rated Current</b>	0.5 A
<b>Rated Voltage</b>	AC 50 Vr.m.s.
<b>Applications</b>	On board equipment (ADAS-ECU, Central gateway, etc.), FA equipment, semiconductor manufacturing equipment, office machines, communication equipment, measuring equipment, broadcasting equipment and other various applications
<b>Connector Type</b>	Floating side
<b>Connector Style</b>	Straight
<b>PCB Mounting Method</b>	Soldering (SMT)

<b>Material of Contact</b>	Copper alloy
<b>Finish of Contact in Connecting Area</b>	Gold plating
<b>Minimum Thickness of The Plating Contact Area</b>	0.1 micrometer min.
<b>Finish of Contact in PCB Mounting Area</b>	Gold plating
<b>Material of Insulator</b>	LCP
<b>PCB Mounted Height</b>	12.3 mm
<b>Existence of Polarization Key</b>	With Key
<b>Existence of Location Boss</b>	With Boss
<b>PCB Boardlock Feature</b>	Hold-down
<b>Body Length</b>	24.10 mm
<b>Body Breadth</b>	8.8 mm
<b>Operating Temperature Range</b>	-40 deg. C to +125 deg. C
<b>Mating Cycles</b>	100 mating cycles
<b>Finish of Hold-down</b>	Copper alloy/ Tin plating
<b>Packaging Type</b>	Embossed tape packaging
<b>Quantity in The Standard Packaging</b>	300 pieces/ reel
<b>RoHS compliant</b>	10 substances (2011/65/EU, (EU)2015/863)
<b>REACH compliant</b>	233 substances (17/01/2023)
<b>Combination</b>	<a href="#">MA01R040VABBR600</a> <a href="#">MA01R040VADBR500</a> <a href="#">MA01R040HAYBR600</a> <a href="#">MA01R040VANBR200</a>

### Notice

1. The values specified in this web site are only for reference. The products and their specifications are subject to change without notice. Contact our sales staff for further information before considering or ordering any of our products.

For purchase, a product specification must be agreed upon.

2. Users are requested to provide protection circuits and redundancy circuits to ensure safety of the equipment, and sufficiently review the suitability of JAE's products to the equipment.

3. The products presented in this web site are designed for the uses recommended below.

We strongly suggest you contact our sales staff when considering use of any of the products in any other way than the recommended applications or for a specific use that requires an extremely high reliability.

(1) Applications that require consultation:

\* Please contact us if you are considering use involving a quality assurance program that you specify or that is peculiar to the industry, such as:

Automotive electrical components, train control, telecommunications devices (mainline), traffic light control, electric power, combustion control, fire prevention or security systems, disaster evention equipment, etc.

\* We may separately give you our support with a quality assurance program that

you specify, when you think of a use such as :

Aviation or space equipment, submarine repeaters, nuclear power control systems, medical equipment for life support, etc.

(2) Recommended applications include:

\* Computers, office appliances, telecommunications devices (terminals, mobile units), measuring equipment, audiovisual equipment, home electric appliances, factory automation

equipment, etc