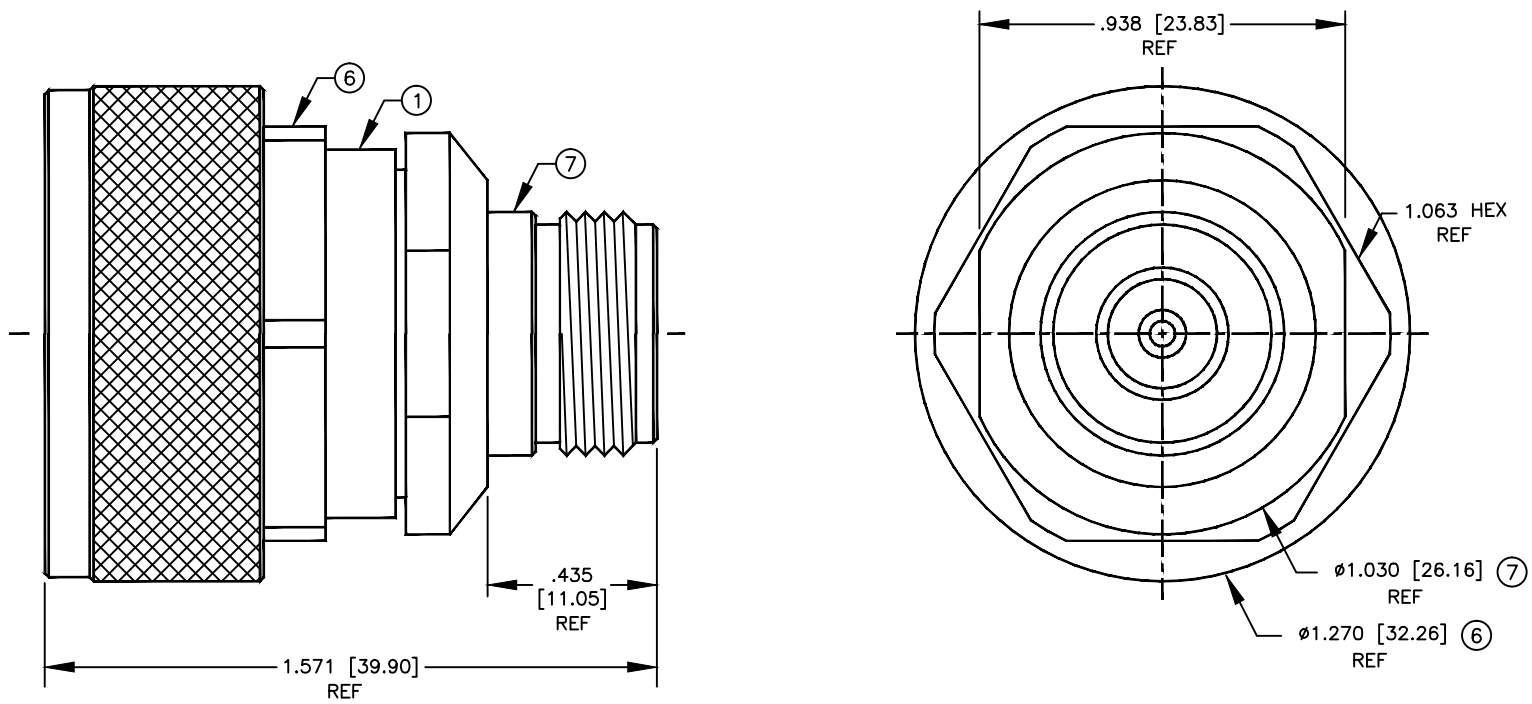


SPECIFICATION CONTROL DRAWING

THIS DRAWING CONTAINS INFORMATION PROPRIETARY TO RF INDUSTRIES, LTD. ANY UNAUTHORIZED USE OF THIS DRAWING IS EXPRESSLY PROHIBITED. ANY VIOLATION IS PUNISHABLE UNDER U.S. COPYRIGHT LAWS.

REV	DESCRIPTION	DWN	DATE	APPROVED
A	ENGINEERING RELEASE	KMM	11/15/95	R. RICE
B	CHANGES ITEM #1 & #7	KMM	9/10/96	R. RICE
C	NEW DRAWING FORMAT	BMA	3/20/97	R. RICE



SPECIFICATIONS

IMPEDANCE: 50 OHMS
 FREQUENCY RANGE: DC-7.5 GHz
 INSERTION LOSS: $-.01 \text{ dB } \sqrt{\text{FREQUENCY GHz}}$
 VSWR MAX: $<1.10:1 @ \text{DC}-7.5 \text{ GHz}$
 3rd ORDER IM $-\text{dBc}$: $>-150 \text{ dBc}$

DIMENSIONS ARE IN INCHES AND [MILLIMETERS]

UNLESS OTHERWISE NOTED TOLERANCES ARE:

DECIMALS DIAMETER

DRAWN B. ASHLEY 3/20/97

CHECKED

ORJ DRAWN K. MAXWELL 11/15/95

APPROVALS DATE

RFconnectors
 DIVISION OF RF INDUSTRIES, LTD.

7610 MIRAMAR RD
 SAN DIEGO, CA 92126
 (619)549-6340
 (619)549-6345 FAX

RFD-1671-2

7/16 DIN MALE TO N FEMALE ADAPTER

ITEM	DESCRIPTION	PART NUMBER	QTY	MATERIAL	FINISH
7	BODY	001-10F0003BE	1	BRASS	SILVER
6	SHELL	012-16M0001BE	1	BRASS	SILVER
5	O RING	GS0-211	1	S.I. RUBBER	RED
4	DIELECTRIC	010-16X0001TX	1	PTFE	NONE
3	CONTACT	008-10F0006CE	1	BeCu	SILVER
2	PIN	009-16M0001BE	1	BRASS	SILVER
1	GROUND RING	014-16M0001BE	1	BRASS	SILVER

SIZE	CABLE GROUP	DWG NO.	REV
A	N/A	8580	C

SCALE: CAD FILE 13ARC B SHEET 1 OF 1