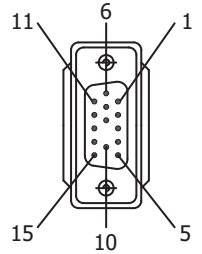


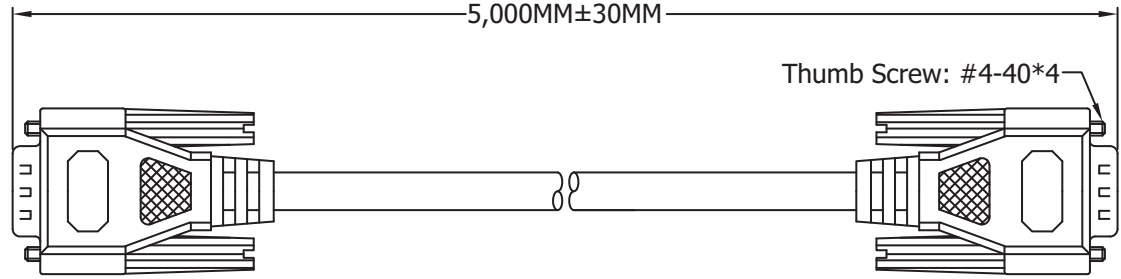
A
B
C
D
E
F
G
H

A
B
C
D
E
F
G
H

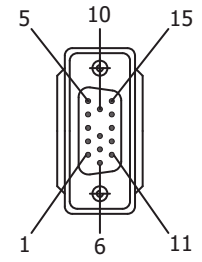
HDB 15 Male
Plastic: Blue



P1



HDB 15 Male
Plastic: Blue



P2

Material:

.CABLE:28AWG(7/0.127 T.C)*3COAX(75 OHMS)+INSULATION:FO-PE INNER
JACKET:PVC OD:Ø2.5± 0.1mm(UL-1354)+28AWG(7/0.127 T.C)*4C+
INSULATION:SR-PVC ID:Ø0.85± 0.05mm(UL-1061)+AL/MY+DRAIN
WIRE:26AWG(7/0.16 T.C)+BRAID SHIELD(85%)+OUTER JACKET:PVC
COLOR:BEIGE OD:Ø8.1± 0.15mm UL-2919

.CONNECTOR:

P1&P2:HDB 15P MALE,GOLD FLASH CONTACT,NICKEL PLATED SHELL
(9TH PIN UNLOAD)

.SHIELD:COPPER-FOIL 360° SOLDER TO CONNECTOR SHELL & CABLE BRAID

.HOOD:MOLDED TYPE,PVC 45P,COLOR:BEIGE.

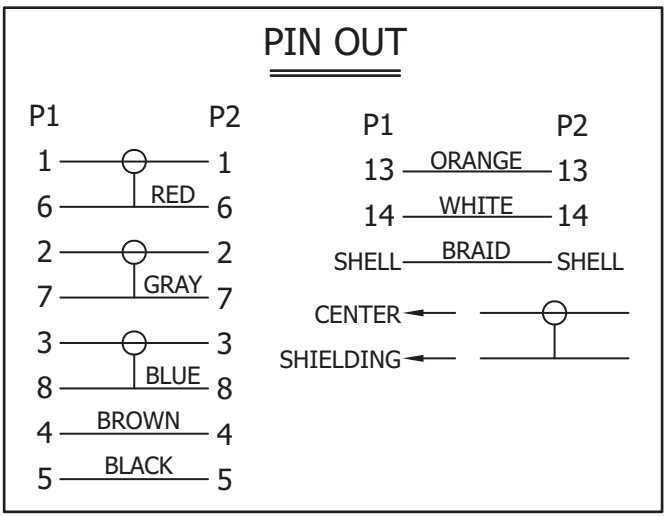
.ELECTRONIC TEST:

- <1>.100% OPEN SHORT & MIS WIRE TEST
- <2>.CONTACT RESISTANCE 3 OHMS MAX.
- <3>.INSULATION RESISTANCE 1M OHMS MIN/ DC 5V

.PACKING:SEE P-0039 REV.C PACKING DRAWING

(HANKING SIZE MUST BE SMALLER THAN PACKING)

PACKING TYPE: DB VP4.



Scale	1:1					Name
TOLERANCE						Item No.
X.X	±0.40				Drawn	11.16.11
X.XX	±0.25				Chappell	
X.XXX	±0.15				Approved	
Angle	±3°					Title
						Premium VGA Monitor connection cable - HD D-Sub 15 pin Male <=> Male, 5 Meters
						Drawing No.
						AK3770-5-R
						rev00
						Replace
						Sheet

