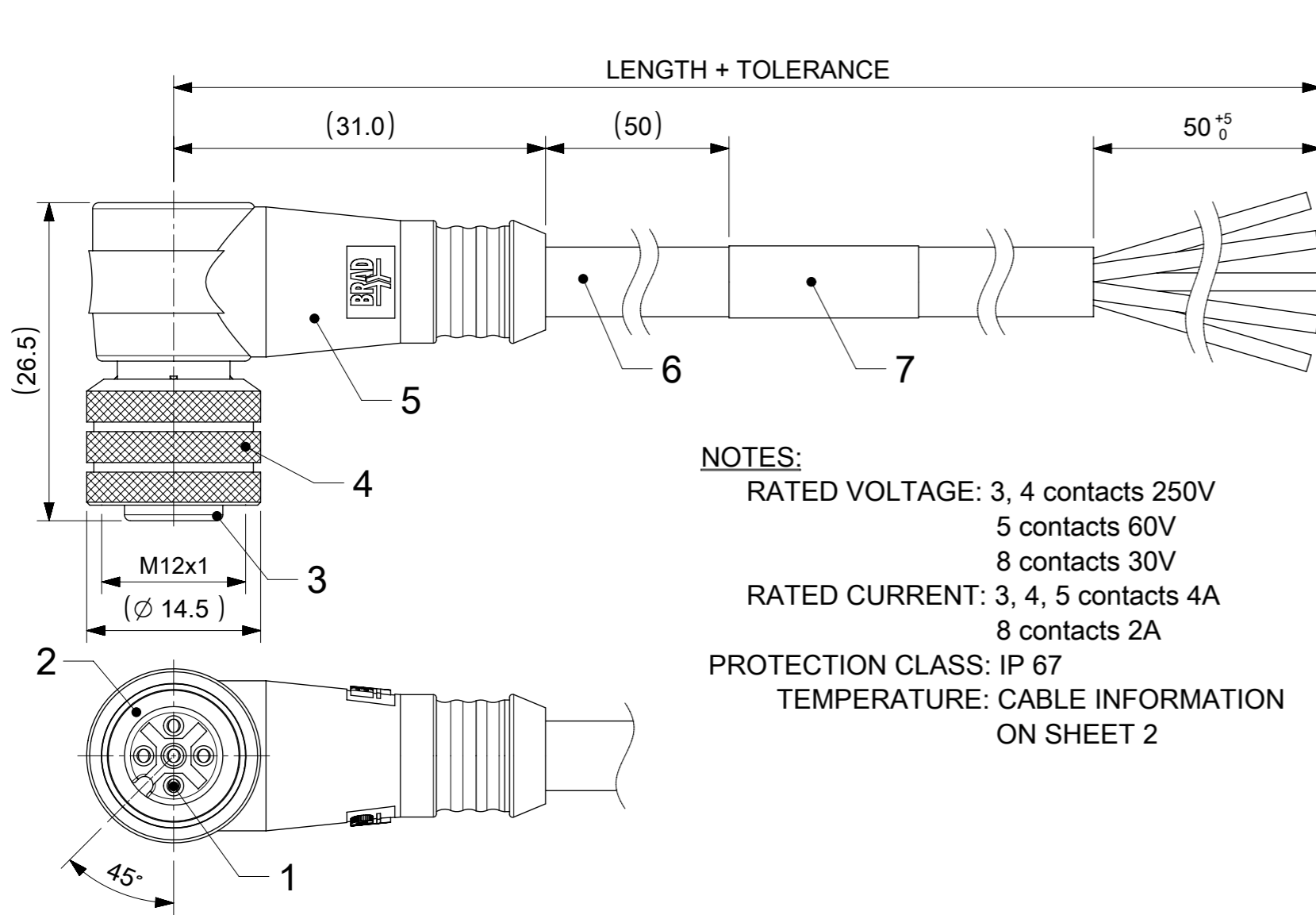
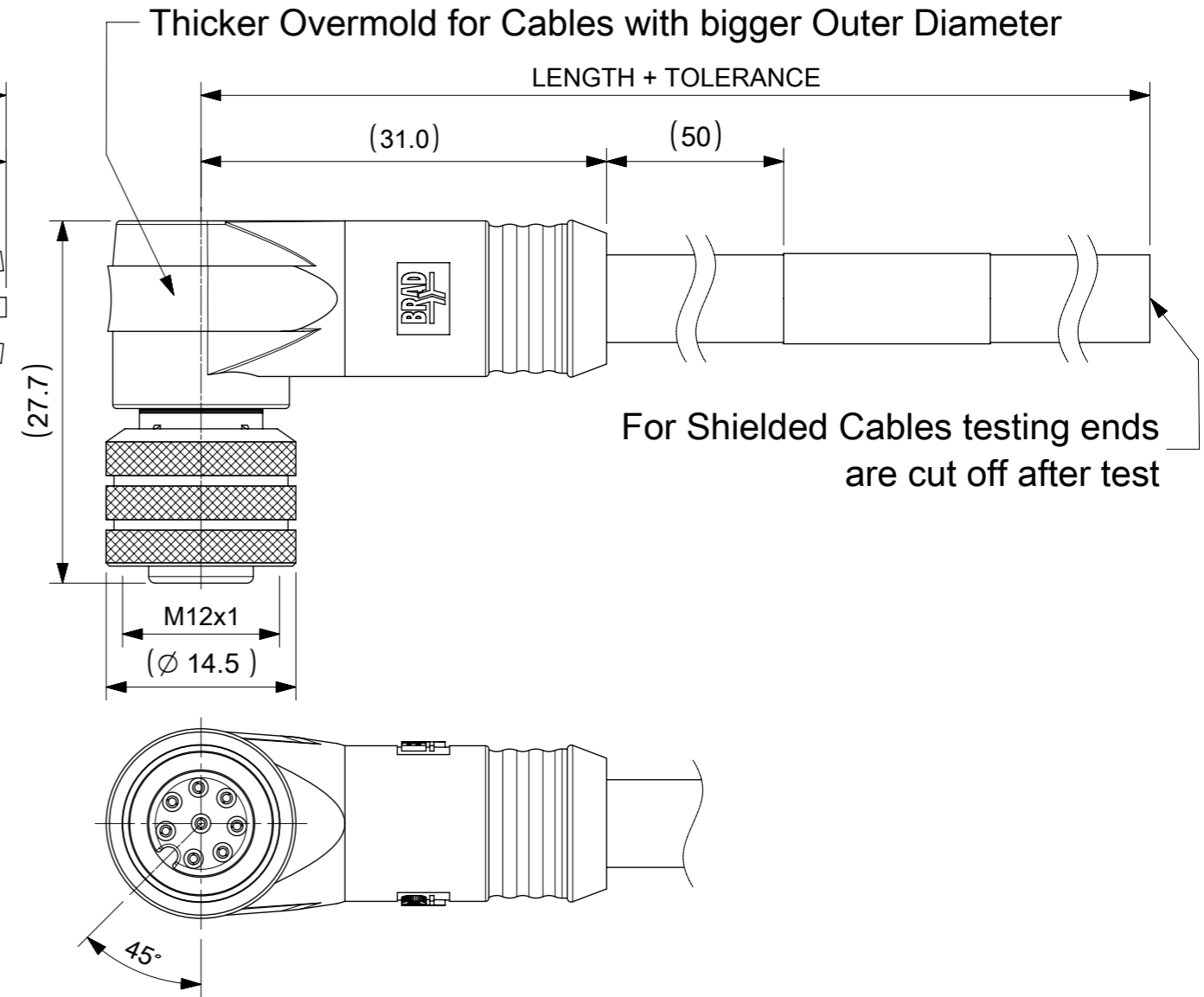


FEMALE PLUG M12 90° ANGLED



NOTES:
 RATED VOLTAGE: 3, 4 contacts 250V
 5 contacts 60V
 8 contacts 30V
 RATED CURRENT: 3, 4, 5 contacts 4A
 8 contacts 2A
 PROTECTION CLASS: IP 67
 TEMPERATURE: CABLE INFORMATION ON SHEET 2



CONTACTS POSITION FRONT VIEW:

3 CONTACTS		4 CONTACTS		5 CONTACTS		8 CONTACTS	
PIN	WIRE	PIN	WIRE	PIN	WIRE	PIN	WIRE
1	BROWN	1	BROWN	1	BROWN	1	WHITE
2	---	2	WHITE	2	WHITE	2	BROWN
3	BLUE	3	BLUE	3	BLUE	3	GREEN
4	BLACK or YELLOW/GREEN	4	BLACK	4	BLACK	4	YELLOW
5	---	5	---	5	GREY or YELLOW/GREEN	5	GREY
						6	PINK
						7	BLUE
						8	RED

FOR OPTIONS SEE - NUMERICAL CODE - ON SHEET 2

ITEM	QTY.	DESCRIPTION	MATERIAL	FINISH
7	1	LABEL YELLOW	VINYL	---
	-	PRINTING FOR CABLES lxx	---	---
6	-	CABLE	SEE SHEET 2	---
5	-	OVERMOLDING BLACK	TPU	---
4	1	COUPLING NUT FEMALE	BRASS	NICKEL
3	1	INSERT FEMALE BLACK	PUR	---
2	1	ORING RED	FPM	---
1	3 / 4 / 5 / 8	CONTACT M12 FEMALE	BRASS	SELECTIVE Au OVER Ni

SYMBOLS DIMENSION UNITS: mm SCALE: 2:1 GENERAL TOLERANCES (UNLESS SPECIFIED): ANGULAR TOL ± 1.0° 4 PLACES ± 3 PLACES ± 2 PLACES ± 0.05 1 PLACE ± 0.1 0 PLACES ± 0.2 DRAFT WHERE APPLICABLE MUST REMAIN WITHIN DIMENSIONS	THIS DRAWING CONTAINS INFORMATION THAT IS PROPRIETARY TO MOLEX ELECTRONIC TECHNOLOGIES, LLC AND SHOULD NOT BE USED WITHOUT WRITTEN PERMISSION		CURRENT REV DESC: EC NO: 638866 DRWN: SSM 2020/06/03 CHK'D: RSILLER 2020/06/03 APPR: RSILLER 2020/06/03		 CSE M12 XP AC FE RA XM SE UNSH PRODUCT CUSTOMER DRAWING
	INITIAL REVISION: DRWN: JMARSZALEK 2016/01/11 APPR: RSILLER 2016/04/08		DOCUMENT NUMBER: 1200658471 DOC TYPE: PSD DOC PART: 000 REVISION: A5		
	THIRD ANGLE PROJECTION		DRAWING: A3-SIZE SERIES: 120065 MATERIAL NUMBER: SEE PART LIST CUSTOMER: GENERAL MARKET SHEET NUMBER: 1 OF 3		
	CODING REQUIRED TO IEC 61076-2-101		DOCUMENT STATUS: P1 RELEASE DATE: 2020/06/03 14:58:29		

ENGINEERING NO. - NUMERICAL CODE (Available parts see PART LIST table. Others on request).

8 0 X 0 0 1 X X X X X X X X

80=M12x1
Single ended

Contacts:
3=3 Contacts
4=4 Contacts
5=5 Contacts
8=8 Contacts

Heads style:
001=Plug Female
90° Angled

Cable type: See Table

Units:
M=Meter
C=Centimeter

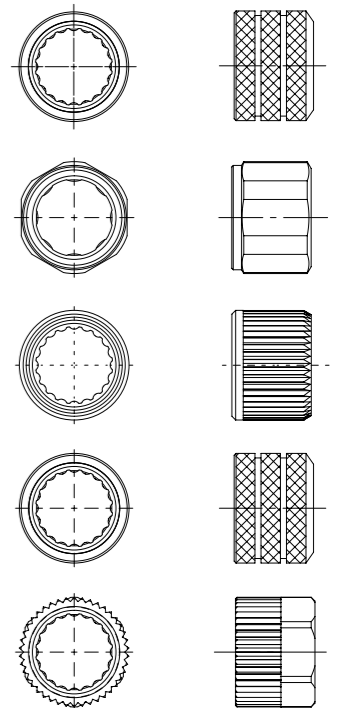
Length
Examples:
005=0.5 unit
010=1 unit
100=10 units

Overmold color:
Blank (Standard)=Black TPU
Blank=Yellow TPU for cables A09,S19,S20,S26
Blank=Yellow TPE-E for cables K03,K05
A=Grey / G=Black / Y=Yellow
Blank=Yellow PVC for cable E13
Coupling Nut:
Blank (Standard) & 3=Knurled Brass Ni Plated
1=Hexagonal Stainless steel
5=Knurled Derlin
7=Knurled Brass Ni Plated, Teflon Coated
Blank=7 for cables I20, I26, K03, K05, P82, S26
9=Knurled / Hexagonal Brass Ni Plated SW13

OPTIONS

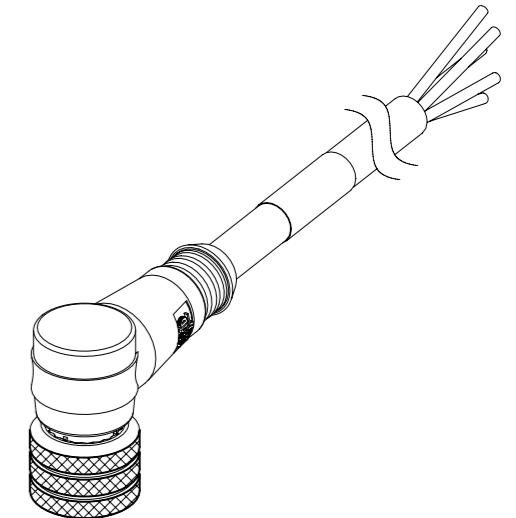
H= 2 pcs. of I/D Carrier
PVC Transparent
(Cables Ixx & P82 always
with 2 pcs. of I/D Carrier
even if no H in
Engineering No.)

COUPLING NUTS



CABLE INFORMATION (for more information see Cable Data Sheet).

CABLE TYPE	NO. OF WIRES	CROSS SECTION	CABLE JACKET	UL	CSA	STATIC: TEMP. / BENDING RADIUS	DYNAMIC: TEMP. / BENDING RADIUS	DRAG CHAIN	SHIELD
E13	3	18AWG	PVC YELLOW	UL 2661/1731	I/II A/B 80°C/300V	-	-	-	-
E52	3 / 4 / 8	0.34mm ²	PVC GREY	-	-	-30°C to +70°C	-5°C to +70°C	-	-
H12	4	0.50mm ²	PUR BLACK LS0H	UL 21198/10493	C22.2 I/II A/B 80°C/300V	-50°C to +80°C, 5xO.D.	-25°C to +80°C, 10xO.D.	2 000 000, Temp max 60°C	-
H69	4	0.20mm ²	PUR GREY LS0H	-	-	-	-	-	-
I02	3 / 4 / 8	0.25mm ²	PVC CEI GREY	-	-	-30°C to +70°C	-5°C to +70°C	-	-
I03	3 / 4 / 5	0.34mm ²	PVC CEI GREY	-	-	-30°C to +70°C	-5°C to +70°C	-	-
I04	4	0.50mm ²	PVC CEI GREY	-	-	-25°C to +70°C	-5°C to +70°C	-	-
I20	3 / 4	0.34mm ²	PVC CEI GREY	-	-	-30°C to +70°C	-5°C to +70°C	-	YES
I26	5	0.34mm ²	PVC CEI GREY	-	-	-30°C to +70°C	-5°C to +70°C	-	-
K03	5	18 AMG	TPE YELLOW	PLTC 105C E470965	I/II A/B 90°C/300V	-	-	-	-
K05	3 / 4 / 5	0.34mm ²	TPE YELLOW	UL ITC E195601 or PLC	I/II A/B 90°C/300V	-	-	-	-
P12	3 / 5	0.50mm ²	PUR BLACK	-	-	-30°C to +90°C	-5°C to +90°C	-	-
P19	8	0.25mm ²	PUR BLACK	-	-	-40°C to +90°C, 7.5xO.D.	-15°C to +90°C, 12.5xO.D.	2 000 000 cycles, 15xO.D.	YES
P20	3 / 4 / 5	0.34mm ²	PUR BLACK LS0H	-	-	-30°C to +80°C	-	-	YES
P82	3 / 4 / 5	0.34mm ²	PUR IRR ORANGE	-	-	-50°C to +105°C, 5xO.D.	-40°C to +105°C, 7.5xO.D.	-	-
S19	8	0.25mm ²	PVC YELLOW	UL 2661/1569	C22.2 II A 105°C/300V	-30°C to +105°C, 10xO.D.	-15°C to +105°C, 15xO.D.	-	YES
S20	3 / 4 / 5	0.34mm ²	PVC YELLOW	UL 2661/1731	C22.2 II A 105°C/300V	-30°C to +105°C	-	-	YES
S26	5	0.34mm ²	PVC YELLOW	UL 2661/1731	C22.2 II A 105°C/300V	-30°C to +105°C	-	-	YES



SCALE 1:1

CABLE LENGTH TOLERANCES

OVER	UP TO AND INCLUDING	TOLERANCES
0	305mm	+19mm
305mm	915mm	+45mm
915mm	1830mm	+56mm
1830mm	3660mm	+89mm
3660mm	7320mm	+165mm
7320mm	14640mm	+317mm
14640mm	30500mm	+610mm
30500mm	>	+2% of finished length

THIS DRAWING CONTAINS INFORMATION THAT IS PROPRIETARY TO MOLEX ELECTRONIC TECHNOLOGIES, LLC AND SHOULD NOT BE USED WITHOUT WRITTEN PERMISSION

SYMBOLS: $\nabla = 0$, $\nabla = 0$, $\nabla = 0$, $\nabla = 0$, $\nabla = 0$, $\nabla = 0$, $\nabla = 0$, $\nabla = 0$, $\nabla = 0$, $\nabla = 0$

THIS DRAWING CONTAINS INFORMATION THAT IS PROPRIETARY TO MOLEX ELECTRONIC TECHNOLOGIES, LLC AND SHOULD NOT BE USED WITHOUT WRITTEN PERMISSION

SCALE: mm 1:1

GENERAL TOLERANCES (UNLESS SPECIFIED): ANGULAR TOL ± 1.0°

CURRENT REV DESC:

EC NO: 638866
DRWN: SSM 2020/06/03
CHK'D: RSILLER 2020/06/03
APPR: RSILLER 2020/06/03

INITIAL REVISION:
DRWN: JMARSZALEK 2016/01/11
APPR: RSILLER 2016/04/08

THIRD ANGLE PROJECTION

DRAWING: A3-SIZE
SERIES: 120065
MATERIAL NUMBER: SEE PART LIST
CUSTOMER: GENERAL MARKET
SHEET NUMBER: 2 OF 3

DOCUMENT NUMBER: 1200658471
DOC TYPE: PSD
DOC PART: 000
REVISION: A5

molex

CSE M12 XP AC FE RA XM SE UNSH

PRODUCT CUSTOMER DRAWING

PART LIST

No.	Part No.	Engineering No.	Cable Length
1	1200060010	803001I03M050	5m
2	1200060042	804001I03M050	5m
3	1200060043	804001P82M0507	5m
4	1200060202	803001I03M020	2m
5	1200060204	803001I03M030	3m
6	1200060205	803001I03M100	10m
7	1200060221	803001S20M020	2m
8	1200060222	803001S20M030	3m
9	1200060224	803001S20M050	5m
10	1200060225	803001S20M100	10m
11	1200060492	804001E52M100A	10m
12	1200060503	804001I03M020	2m
13	1200060505	804001I03M030	3m
14	1200060507	804001I03M100	10m
15	1200060508	804001I03M150	15m
16	1200060527	804001S20M010	1m
17	1200060528	804001S20M020	2m
18	1200060529	804001S20M030	3m
19	1200060531	804001S20M050	5m
20	1200061563	805001I03M050	5m
21	1200061612	804001S20M030H	3m
22	1200061850	805001I26M050	5m
23	1200062093	804001H69M100	10m
24	1200062121	804001S20M060	6m
25	1200062148	804001I20M160	16m
26	1200062155	804001P82M0307	3m
27	1200062160	804001S20M100H	10m
28	1200062161	804001P82M1007	10m
29	1200062334	805001I03M100	10m
30	1200062374	804001S20M020H	2m
31	1200062502	804001S20M050H	5m
32	1200062520	804001P82M050	5m
33	1200062575	804001I03M0501	5m
34	1200062589	804001S20M010H	1m
35	1200062615	804001P82M100	10m

No.	Part No.	Engineering No.	Cable Length
36	1200062764	805001P82M1007	10m
37	1200062838	808001E52M100	10m
38	1200062851	803001I03M025	2.5m
39	1200062919	804001P20M100	10m
40	1200062922	804001P20M050	5m
41	1200063109	804001S20M1001 *	10m
42	1200063165	805001P20M050	5m
43	1200063286	803001E13M030	3m
44	1200063320	803001E13M060	6m
45	1200063386	805001P82M0507	5m
46	1200063532	804001I03M0505	5m
47	1200063563	804001I04M030G	3m
48	1200063564	805001I26M100	10m
49	1200063645	803001E13M100	10m
50	1200063682	803001P82M0207	2m
51	1200063825	805001I03M050G	5m
52	1200064095	805001P20M100	10m
53	1200064134	804001E52M050	5m
54	1200064184	804001P20M250	25m
55	1200064210	803001I03M051	5.1m
56	1200064244	804001I03M040	4m
57	1200064268	808001S19M100	10m
58	1200064380	804001S20M0201 *	2m
59	1200064381	804001S20M0501 *	5m
60	1200064452	804001S20M3001 *	30m
61	1200064457	803001S20M0501 *	5m
62	1200071330	804001P82M0207	2m
63	1200650814	804001E52M050A	5m
64	1200650910	804001S20M100	10m
65	1200651642	804001K05M050	5m
66	1200651644	804001K05M100	10m
67	1200651771	803001E52M050A	5m
68	1200651797	808001E52M020	2m
69	1200655008	808001P19M050	5m
70	1200655050	803001E52M050	5m

No.	Part No.	Engineering No.	Cable Length
71	1200655071	805001P82M0207	2m
72	1200658006	804001P82M1507	15m
73	1200658007	804001P82M2007	20m
74	1200658052	803001I03M036	3.6m
75	1200658054	803001S20M010	1m
76	1200658089	805001P12M020	2m
77	1200658090	805001S26M100	10m
78	1200658106	808001P19M030	3m
79	1200658187	804001S20M200	20m
80	1200658203	805001S26M1001 *	10m
81	1200658276	804001I20M100	10m
82	1200658287	803001I20M100	10m
83	1200658324	804001P20M030	3m
84	1200658326	805001I03M015	1.5m
85	1200658328	808001P19M100	10m
86	1200658471	805001I03M010	1m
87	1200658485	804001H69M010	1m
88	1200658504	808001S19M050	5m
89	1200658510	804001S20M2001	20m
90	1200658544	808001P19M250	25m
91	1200658547	803001P20M150	15m
92	1200658548	805001I26M250	25m
93	1200658594	803001I03M040	4m
94	1200658607	805001I03M030	3m
95	1200658608	805001I03M040	4m
96	1200658683	808001I02M010	1m
97	1200658684	808001I02M020	2m
98	1200658685	808001I02M030	3m
99	1200658686	808001I02M040	4m
100	1200658687	808001I02M050	5m
101	1200658688	808001I02M100	10m
102	1200658707	804001I03M010G	1m
103	1200658708	804001I03M020G	2m
104	1200658709	804001I03M030G	3m
105	1200658710	804001I03M040G	4m

No.	Part No.	Engineering No.	Cable Length
106	1200658711	804001I03M050G	5m
107	1200658712	804001I03M100G	10m
108	1200658875	803001S20M0201G	2m
109	1200658933	805001P12M050	5m
110	1200658934	805001P12M100	10m
111	1200659029	804001S20M150	15m
112	1200659068	804001I03M050Y	5m
113	1200659069	804001P82M0507Y	5m
114	1200659078	804001I03M100Y	10m
115	1200659079	804001S20M050Y	5m
116	1200659084	805001I26M050Y	5m
117	1200659086	804001P82M1007Y	10m
118	1200659091	804001S20M100Y	10m
119	1200659098	804001S20M200Y	20m
120	1200659112	804001H12M050	5m
121	1200659114	805001S26M050	5m
122	1200659117	805001I26M100Y	10m
123	1200659118	803001I03M050Y	5m
124	1200659120	803001I03M030Y	3m
125	1200659121	803001I03M100Y	10m
126	1200659156	805001S26M2001 *	20m
127	1200659160	804001I03M020Y	2m
128	1200659168	803001I03M025Y	2.5m
129	1200659201	805001S26M150H	15m
130	1200659240	803001P20M100HY	10m
131	1200659251	804001H12M010	1m
132	1200659252	804001H12M030	3m
133	1200659270	804001H12M100	10m
134	1200659361	804001I03M030Y	3m
135	1200659374	804001S20M350	35m
136	1200659774	808001S19M150	15m
137	1200659810	805001S26M200	20m
138	1200668648	804001P82M0207Y	2m
139	1200656064	805001E03M0271	2.7m
140	1200656216	808001E02M200	20m

No.	Part No.	Engineering No.	Cable Length
141	1200651720	805001K03M020	2m
142	1200651722	805001K03M050	5m
143	1200652155	805001K03M100	10m
144	1200651639	804001K05M020	2m
145	1200651640	804001K05M030	3m
146			
147			
148			
149			

NOTES:

* - Part No. with Yellow PVC overmolding

SYMBOLS	THIS DRAWING CONTAINS INFORMATION THAT IS PROPRIETARY TO MOLEX ELECTRONIC TECHNOLOGIES, LLC AND SHOULD NOT BE USED WITHOUT WRITTEN PERMISSION	
	DIMENSION UNITS	SCALE
	mm	1:1
	GENERAL TOLERANCES (UNLESS SPECIFIED)	
ANGULAR TOL	± 1.0°	CURRENT REV DESC:
4 PLACES	±	
3 PLACES	±	
2 PLACES	± 0.05	
1 PLACE	± 0.1	INITIAL REVISION:
0 PLACES	± 0.2	
DRAFT WHERE APPLICABLE MUST REMAIN WITHIN DIMENSIONS		THIRD ANGLE PROJECTION
		DRAWING
		SERIES
		MATERIAL NUMBER
		CUSTOMER
		SHEET NUMBER

DOCUMENT STATUS	P1	RELEASE DATE	2020/06/03 14:58:29
-----------------	----	--------------	---------------------

molex	
CSE M12 XP AC FE RA XM SE UNSH	
PRODUCT CUSTOMER DRAWING	
DOCUMENT NUMBER	DOC TYPE DOC PART REVISION
1200658471	PSD 000 A5
SEE PART LIST	GENERAL MARKET
3 OF 3	