



Lithium Primary - CR2

- Reliable energy for your application
- Standard cells and customized packs
- ESD protection
- UL recognized
- Battery Certification Experts



RoHS compliant Pb free



REACH compliant



Conflict mineral free

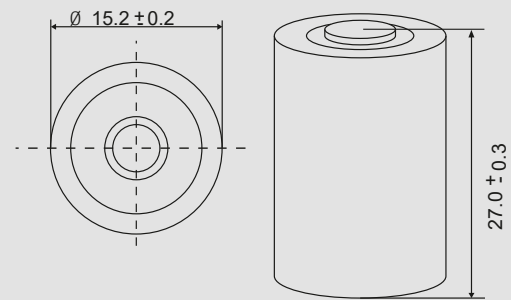
Technical Data Sheet · CR2

SPECIFICATIONS

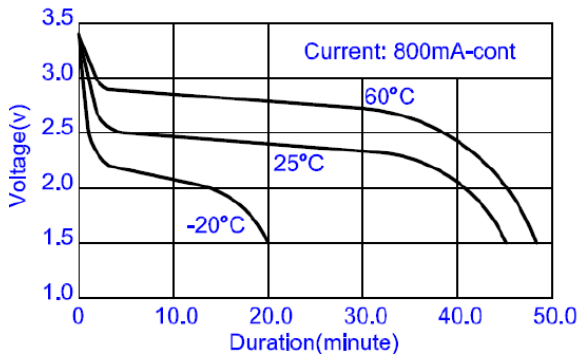
Nominal Voltage	3V
Jauch part number	245718
Nominal Capacity	850 mAh
Continuous Standard Load	10 mA
Max. Continuous Discharge	800 mA
Max. Pulse Current	1500 mA
Operating Temperature	-40 °C to +70 °C*
Weight	Approx. 11.0g
Chemistry	Li/MnO ₂

* In applications where the battery is exposed to temperatures >60°C, please contact Jauch.

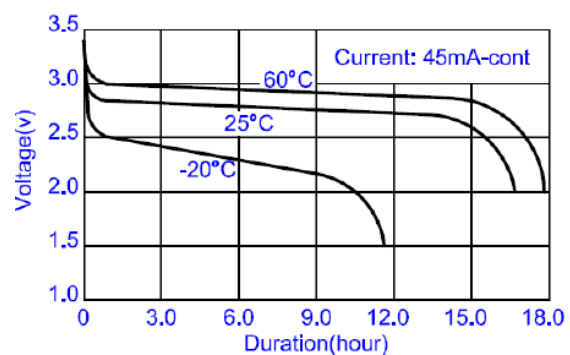
DIMENSIONS (mm)



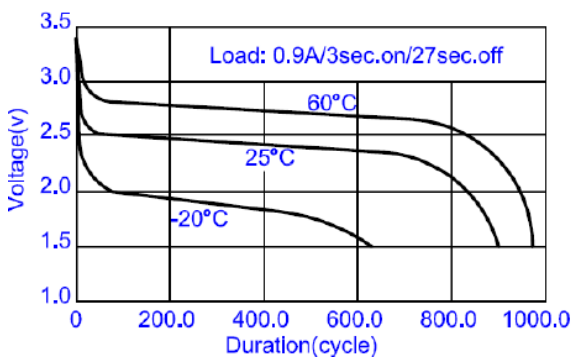
DISCHARGE CHARACTERISTICS



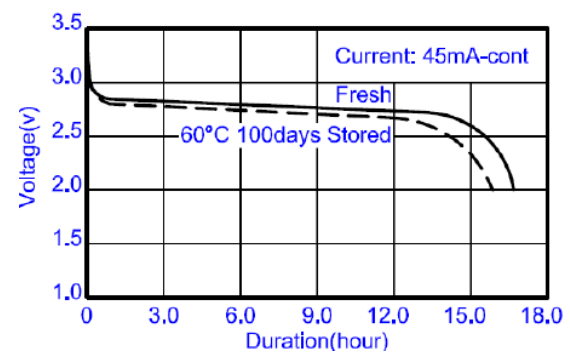
DISCHARGE CHARACTERISTICS



PULSE DISCHARGE CHARACTERISTICS



DISCHARGE CHARACTERISTICS



Wide assortment of mounting options, including through hole, surface mount and wire terminals. Contact Jauch for more information
batterytechnology@jauch.com