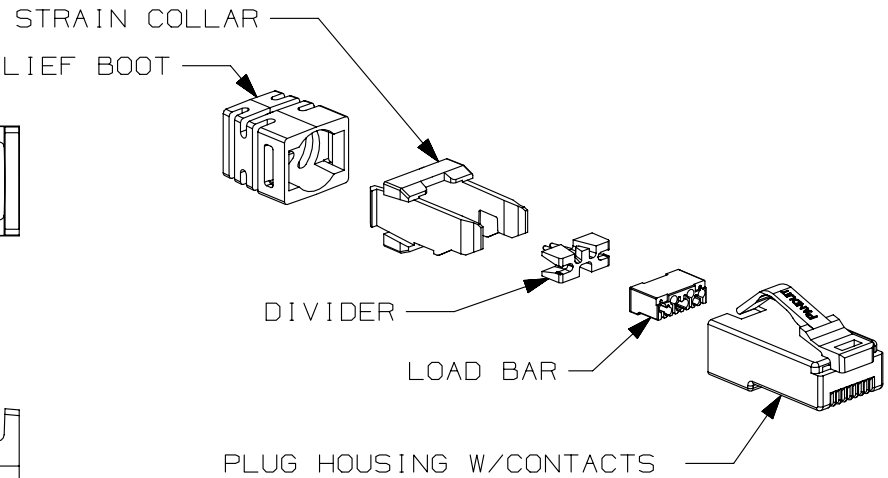
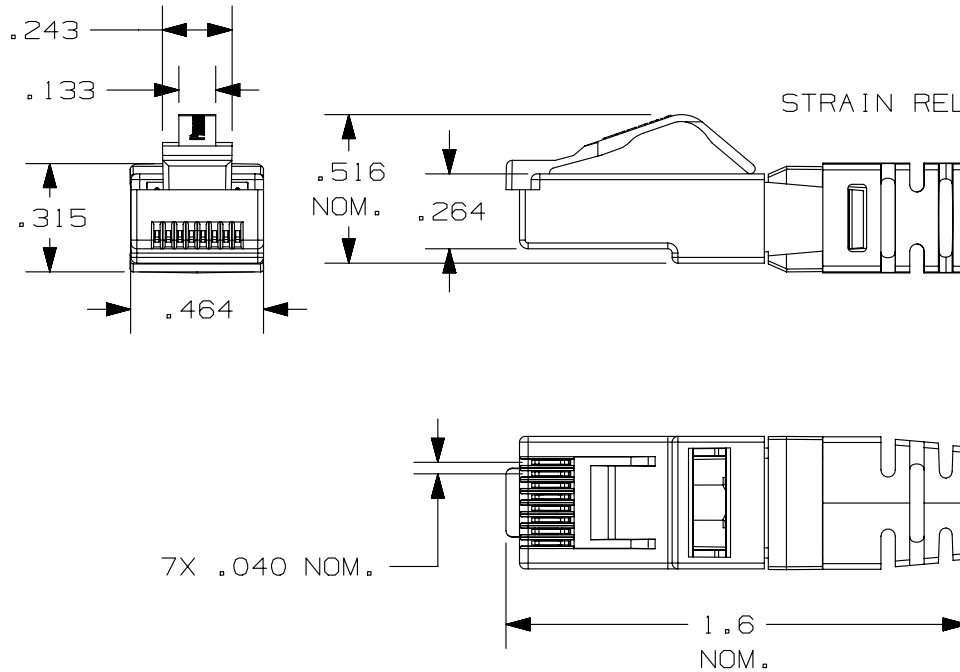


THIS COPY IS PROVIDED ON A RESTRICTED BASIS AND IS NOT TO BE USED IN ANY WAY DETRIMENTAL TO THE INTERESTS OF PANDUIT CORP.

PANDUIT P/N	WEIGHT
SP6X88-C	.047 LB/10 PCS (21.4 g/10 PCS)

NOTES:

- CAT 6A UTP MODULAR PLUG FOR USE WITH PANDUIT TX6A 10GIG UTP COPPER CABLE.
- MATERIALS: PLUG COMPONENTS - UL94V-0 RATED POLYCARBONATE, BOOT - PVC, CONTACTS - GOLD PLATED PHOSPHOR BRONZE.
- PLUG DESIGNED AND TUNED EXCLUSIVELY FOR PANDUIT CAT6A UTP HORIZONTAL CABLE (PU\*6A04) WITH MATRIX TECHNOLOGY.
  - .310" MAX. OUTER JACKET DIAMETER.
  - .048" MAX. CONDUCTOR INSULATION DIAMETER.
- MEETS DIMENSIONAL REQUIREMENTS OF FCC PART 68 AND IEC 60603-7. ALL DIMENSIONS MAXIMUM UNLESS OTHERWISE SPECIFIED.
- TERMINATED CONTACT HEIGHT DIMENSION: .237±.005"
- OPERATING TEMPERATURE: -14°F TO 140°F (-10°C TO 60°C)
- STORAGE TEMPERATURE: -40°F TO 158°F (-40°C TO 70°C).
- RATED TO 2500 MATING CYCLES.
- PLUG ASSEMBLY TOOL - CSPT.  
CRIMP TOOL - MPT5-8AS.



PART NUMBER		SP6X88-C	
TITLE			
CATEGORY 6A UTP MODULAR PLUG FOR USE WITH PANDUIT TX6A 10GIG UTP COPPER CABLE			
CUSTOMER DRAWING			
ITEM REVISION NAME		M01185CG/02	
DATASET FILE NAME		M01185CG_DC01/02A	
UNLESS OTHERWISE SPECIFIED, DIMENSIONAL TOLERANCES ARE: IN [ mm ]		MATERIAL:	
.x ± .xxx ± .010 [ .3 ]		SEE NOTES	
.xx ± .03 [ .8 ] ANGLES ±		DRAWING NUMBER:	
THIRD ANGLE PROJECTION		M01185CG-01	
DRAWN BY	DATE	CHK	SCALE
MDJR	12-21-12	EJH	NONE
REV	DATE	BY	CHK
DESCRIPTION		ECN	
SHT 1 OF 1		A	

D10100DA/14