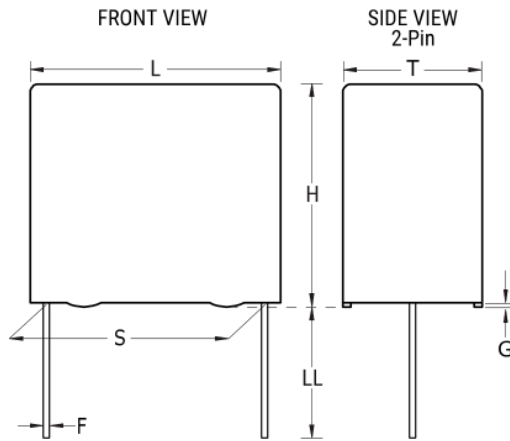


PFR5151J630J11L4BULK

Aliases (F411JH151J630C)

PFR/F411, Film, Film/Foil Polypropylene, General Purpose, 150 pF, 5%, 630 VDC, 85°C, Lead Spacing = 5mm



Click [here](#) for the 3D model.

Dimensions

| | |
|----|-----------------|
| L | 7.2mm -0.5mm |
| H | 6mm -0.5mm |
| T | 4.5mm -0.5mm |
| S | 5mm -0.4mm |
| LL | 4mm +1mm |
| F | 0.5mm +/-0.05mm |
| G | 0.5mm NOM |

Packaging Specifications

| | |
|--------------------|-----------|
| Packaging | Bulk, Bag |
| Packaging Quantity | 1000 |

General Information

| | |
|------------------|---|
| Series | PFR/F411 |
| Dielectric | Film/Foil Polypropylene |
| Style | Radial |
| Features | Pulse |
| RoHS | Yes |
| Lead | Wire Leads |
| AEC-Q200 | No |
| Component Weight | 0.36 g |
| Miscellaneous | An Operating Temperature Up To +105C Is Allowed Under Certain Conditions. Please Consult KEMET For Details. |

Specifications

| | |
|-----------------------|---------------------------------------|
| Capacitance | 150 pF |
| Capacitance Tolerance | 5% |
| Voltage AC | 250 VAC |
| Voltage DC | 630 VDC |
| Temperature Range | -55/+100°C |
| Rated Temperature | 85°C |
| Dissipation Factor | 0.04% 1kHz, 0.04% 10kHz, 0.05% 100kHz |
| Insulation Resistance | 100 GOhms |
| Max dV/dt | 1000 V/us |
| Inductance | 6 nH |