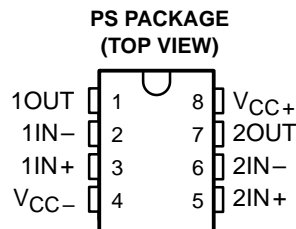


- **Wide Range of Supply Voltages; Single Supply . . . 3 V to 36 V, or Dual Supplies**
- **Class AB Output Stage**
- **High-Impedance N-Channel-JFET Input Stage . . . $10^{12} \Omega$ Typ**
- **Internal Frequency Compensation**
- **Short-Circuit Protection**
- **Input Common Mode Includes V_{CC-}**
- **Low Input Offset Current . . . 50 pA**
- **Low Input Bias Current . . . 200 pA Typ**



description

The TL092 JFET-input operational amplifier is similar in performance to the MC3403 family, but with much higher input impedance derived from a FET input stage. The N-channel-JFET input stage allows a common-mode input voltage range that includes the negative supply voltage and offers a typical input impedance of $10^{12} \Omega$, a typical input offset current of 50 pA, and a typical input bias current of 200 pA. This device is designed to operate from a single supply over a range of 3 V to 36 V. Operation from split supplies also is possible, provided the difference between the two supplies is 3 V to 36 V. Output voltage range is from V_{CC-} to $V_{CC+} - 1.3$ V, with a load resistor to V_{CC-} .

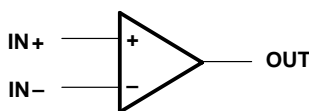
The TL092 is characterized for operation from 0°C to 70°C.

AVAILABLE OPTIONS

T _A	PACKAGED DEVICE
	PLASTIC SMALL OUTLINE (PS)
0°C to 70°C	TL092CPSR

The PS package is only available taped and reeled. Add the suffix R to device type for ordering (e.g., TL092CPSR).

symbol



Please be aware that an important notice concerning availability, standard warranty, and use in critical applications of Texas Instruments semiconductor products and disclaimers thereto appears at the end of this data sheet.

PRODUCTION DATA information is current as of publication date. Products conform to specifications per the terms of Texas Instruments standard warranty. Production processing does not necessarily include testing of all parameters.

**TEXAS
INSTRUMENTS**

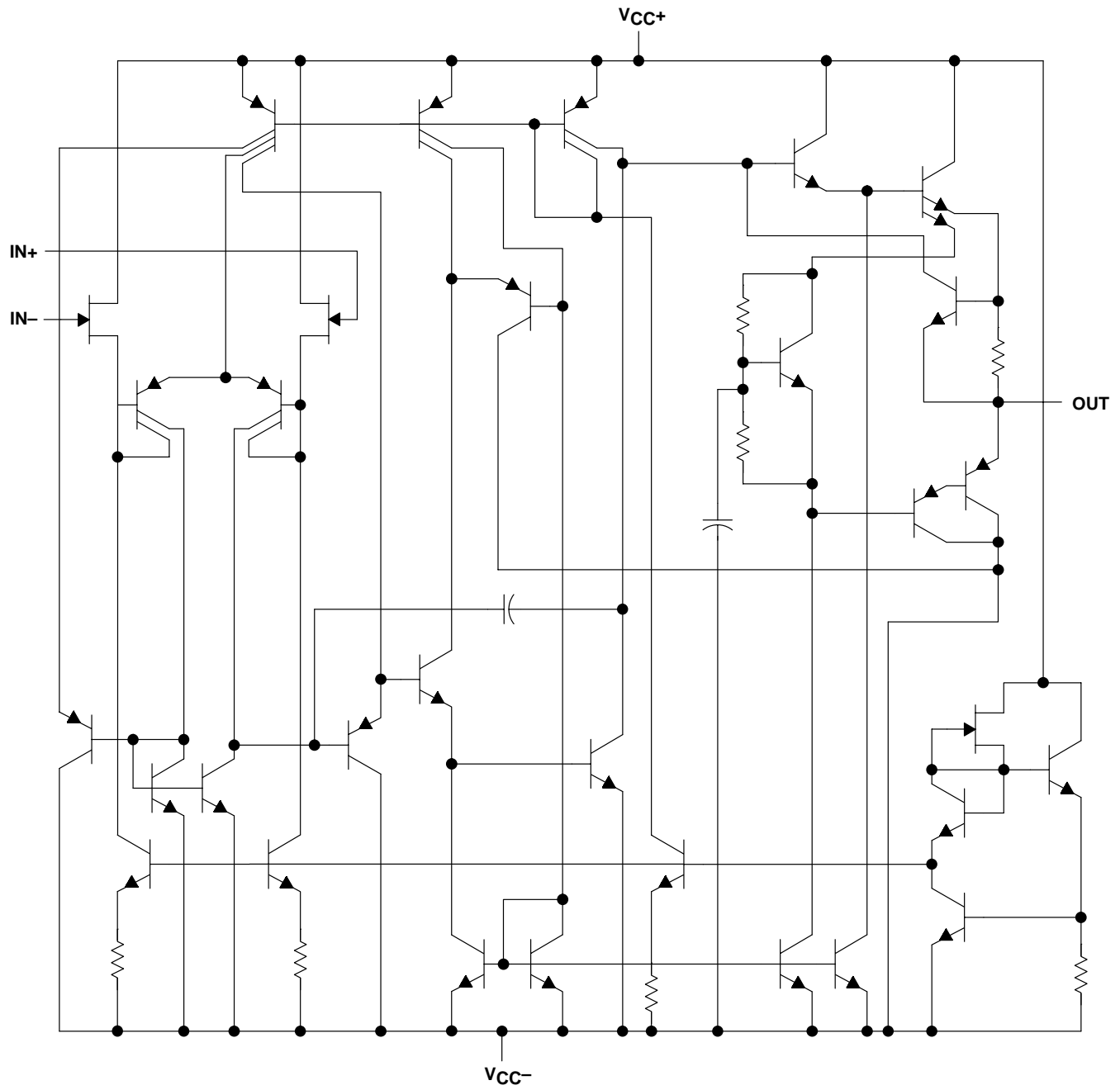
POST OFFICE BOX 655303 • DALLAS, TEXAS 75265

Copyright © 2001, Texas Instruments Incorporated

TL092 DUAL JFET-INPUT OPERATIONAL AMPLIFIER

SLOS372 – JUNE 2001

schematic



POST OFFICE BOX 655303 • DALLAS, TEXAS 75265

absolute maximum ratings over operating free-air temperature range (unless otherwise noted)†

Supply voltage: V_{CC+} (see Note 1)	18 V
V_{CC-} (see Note 1)	–18 V
V_{CC+} with respect to V_{CC-}	36 V
Differential input voltage, V_{ID} (see Note 2)	±36 V
Input voltage, V_I (see Notes 1 and 3)	±18 V
Package thermal impedance, θ_{JA} (see Notes 4 and 5)	95°C/W
Lead temperature 1.6 mm (1/16 inch) from case for 10 seconds	260°C
Storage temperature range, T_{stg}	–65°C to 150°C

† Stresses beyond those listed under “absolute maximum ratings” may cause permanent damage to the device. These are stress ratings only, and functional operation of the device at these or any other conditions beyond those indicated under “recommended operating conditions” is not implied. Exposure to absolute-maximum-rated conditions for extended periods may affect device reliability.

- NOTES:
1. All voltage values, except differential voltages, are with respect to the midpoint between V_{CC+} and V_{CC-} .
 2. Differential voltages are at the noninverting input with respect to the inverting input.
 3. Neither input must ever be more positive than V_{CC+} or more negative than $V_{CC-} - 0.3$ V.
 4. Maximum power dissipation is a function of $T_J(\text{max})$, θ_{JA} , and T_A . The maximum allowable power dissipation at any allowable ambient temperature is $P_D = (T_J(\text{max}) - T_A)/\theta_{JA}$. Operating at the absolute maximum T_J of 150°C can impact reliability.
 5. The package thermal impedance is calculated in accordance with JESD 51-7.

recommended operating conditions

	MIN	MAX	UNIT
$V_{CC\pm}$ Supply voltage	3	36	V
T_A Operating free-air temperature range	0	70	°C

TL092

DUAL JFET-INPUT OPERATIONAL AMPLIFIER

SLOS372 – JUNE 2001

electrical characteristics at specified free-air temperature, $V_{CC\pm} = \pm 15\text{ V}$
(all characteristics are specified under open-loop conditions, unless otherwise noted)

PARAMETER		TEST CONDITIONS		T_A	MIN	TYP†	MAX	UNIT
V_{IO}	Input offset voltage	$R_S = 50\ \Omega$		25°C		5	15	mV
				Full range			20	
$\alpha_{V_{IO}}$	Temperature coefficient of input offset voltage			25°C		10		$\mu\text{V}/^\circ\text{C}$
$I_{IO}\ddagger$	Input offset current			25°C		50	200	pA
				Full range			5	nA
$I_{IB}\ddagger$	Input bias current			25°C		200	400	pA
				Full range			10	nA
V_{ICR}	Common-mode input voltage range			25°C	V_{CC-} to 12	V_{CC-} to 13		V
$V_{O(PP)}$	Peak output voltage swing			25°C	$R_L = 2\ \text{k}\Omega$	± 10	± 13	V
				25°C	$R_L = 10\ \text{k}\Omega$	± 12	± 13.5	
				Full range	$R_L = 2\ \text{k}\Omega$	± 10		
A_{VD}	Large-signal differential voltage amplification	$R_L = 2\ \text{k}\Omega$	$V_O = \pm 10\ \text{V}$	25°C		20	200	V/mV
				Full range		15		
B_{OM}	Maximum output swing bandwidth	$R_L = 2\ \text{k}\Omega$	$V_{O(PP)} = 20\ \text{V}$, THD < 5%	25°C		9		kHz
B_1	Unity gain bandwidth	$R_L = 10\ \text{k}\Omega$	$V_O = 50\ \text{mV}$	25°C		1		MHz
ϕ_m	Phase margin	$R_L = 2\ \text{k}\Omega$	$C_L = 200\ \text{pF}$	25°C		60°		
r_i	Input resistance	$f = 20\ \text{Hz}$		25°C		10^{12}		Ω
r_o	Output resistance	$f = 20\ \text{Hz}$		25°C		75		Ω
CMRR	Common-mode rejection ratio	$R_S = 50\ \Omega$	$V_{IC} = V_{ICR}$	25°C		70	90	dB
kSVR	Supply-voltage rejection ratio ($\Delta V_{CC}/\Delta V_{IO}$)	$R_S = 50\ \Omega$	$V_{CC\pm} = \pm 3\ \text{V}$ to $\pm 15\ \text{V}$	25°C		75	90	dB
I_{OS}	Short-circuit output current			25°C		40		mA
I_{CC}	Supply current (per amplifier)	$V_O = 0$	No load	25°C		1.5	2.5	mA

† All typical values are at $T_A = 25^\circ\text{C}$.

‡ Input bias currents of a FET-input operational amplifier are normal junction reverse currents, which are temperature sensitive. Pulse techniques that maintain the junction temperature as close to the ambient temperature as possible must be used.

electrical characteristics at specified free-air temperature, $V_{CC+} = 5\ \text{V}$, $V_{CC-} = 0\ \text{V}$, $T_A = 25^\circ\text{C}$
(unless otherwise noted)

PARAMETER		TEST CONDITIONS		MIN	TYP†	MAX	UNIT
V_{IO}	Input offset voltage	$R_S = 50\ \Omega$	$V_O = 2.5\ \text{V}$		5	15	mV
I_{IO}	Input offset current		$V_O = 2.5\ \text{V}$		50	200	pA
I_{IB}	Input bias current		$V_O = 2.5\ \text{V}$		200	400	pA
$V_{O(PP)}$	Peak output voltage swing	$R_L = 10\ \text{k}\Omega$	$V_{CC+} = 5\ \text{V}$ to $30\ \text{V}$		3.3	3.5	V
				$V_{CC+} - 1.7$			V
A_{VD}	Large-signal differential voltage amplification	$R_L = 2\ \text{k}\Omega$	$\Delta V_O = 1.6\ \text{V}$		20	200	V/mV
kSVR	Supply-voltage rejection ratio ($\Delta V_{CC}/\Delta V_{IO}$)	$R_S = 50\ \Omega$	$V_{CC\pm} = \pm 3\ \text{V}$ to $\pm 15\ \text{V}$		75		dB
I_{CC}	Supply current (per amplifier)	$V_O = 2.5\ \text{V}$	No load		1.5	2.5	mA
V_{O1}/V_{O2}	Channel separation		$f = 1\ \text{kHz}$ to $20\ \text{kHz}$		120		dB

† All typical values are at $T_A = 25^\circ\text{C}$.



operating characteristics, $V_{CC\pm} = \pm 15\text{ V}$, $T_A = 25^\circ\text{C}$

PARAMETER	TEST CONDITIONS	MIN	TYP	MAX	UNIT
SR	Slew rate at unity gain $V_I = \pm 10\text{ V}$ (see Figure 1), $C_L = 100\text{ pF}$, $R_L = 2\text{ k}\Omega$		0.6		$\text{V}/\mu\text{s}$
t_r	Rise time $\Delta V_O = 50\text{ mV}$ (see Figure 1), $C_L = 100\text{ pF}$, $R_L = 2\text{ k}\Omega$		0.2		μs
t_f	Fall time $\Delta V_O = 50\text{ mV}$ (see Figure 1), $C_L = 100\text{ pF}$, $R_L = 2\text{ k}\Omega$		0.2		μs
	Overshoot factor $\Delta V_O = 50\text{ mV}$ (see Figure 1), $C_L = 100\text{ pF}$, $R_L = 2\text{ k}\Omega$		20%		
	Crossover distortion $V_{IPP} = 30\text{ mV}$, $V_{O(PP)} = 2\text{ V}$, $f = 10\text{ kHz}$		1%		
V_n	Equivalent input noise voltage $R_S = 100\ \Omega$, $f = 1\text{ kHz}$		34		$\text{nV}/\sqrt{\text{Hz}}$

PARAMETER MEASUREMENT INFORMATION

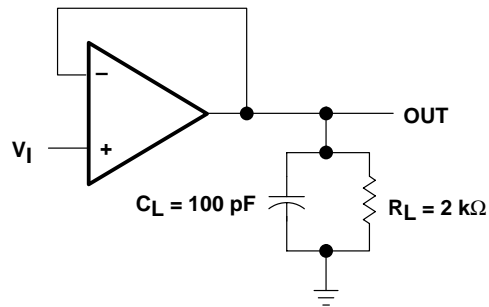


Figure 1. Unity-Gain Amplifier

IMPORTANT NOTICE

Texas Instruments and its subsidiaries (TI) reserve the right to make changes to their products or to discontinue any product or service without notice, and advise customers to obtain the latest version of relevant information to verify, before placing orders, that information being relied on is current and complete. All products are sold subject to the terms and conditions of sale supplied at the time of order acknowledgment, including those pertaining to warranty, patent infringement, and limitation of liability.

TI warrants performance of its products to the specifications applicable at the time of sale in accordance with TI's standard warranty. Testing and other quality control techniques are utilized to the extent TI deems necessary to support this warranty. Specific testing of all parameters of each device is not necessarily performed, except those mandated by government requirements.

Customers are responsible for their applications using TI components.

In order to minimize risks associated with the customer's applications, adequate design and operating safeguards must be provided by the customer to minimize inherent or procedural hazards.

TI assumes no liability for applications assistance or customer product design. TI does not warrant or represent that any license, either express or implied, is granted under any patent right, copyright, mask work right, or other intellectual property right of TI covering or relating to any combination, machine, or process in which such products or services might be or are used. TI's publication of information regarding any third party's products or services does not constitute TI's approval, license, warranty or endorsement thereof.

Reproduction of information in TI data books or data sheets is permissible only if reproduction is without alteration and is accompanied by all associated warranties, conditions, limitations and notices. Representation or reproduction of this information with alteration voids all warranties provided for an associated TI product or service, is an unfair and deceptive business practice, and TI is not responsible nor liable for any such use.

Resale of TI's products or services with statements different from or beyond the parameters stated by TI for that product or service voids all express and any implied warranties for the associated TI product or service, is an unfair and deceptive business practice, and TI is not responsible nor liable for any such use.

Also see: [Standard Terms and Conditions of Sale for Semiconductor Products](http://www.ti.com/sc/docs/stdterms.htm). www.ti.com/sc/docs/stdterms.htm

Mailing Address:

Texas Instruments
Post Office Box 655303
Dallas, Texas 75265