



PART NAME

PTQ SERIES ENCLOSURE

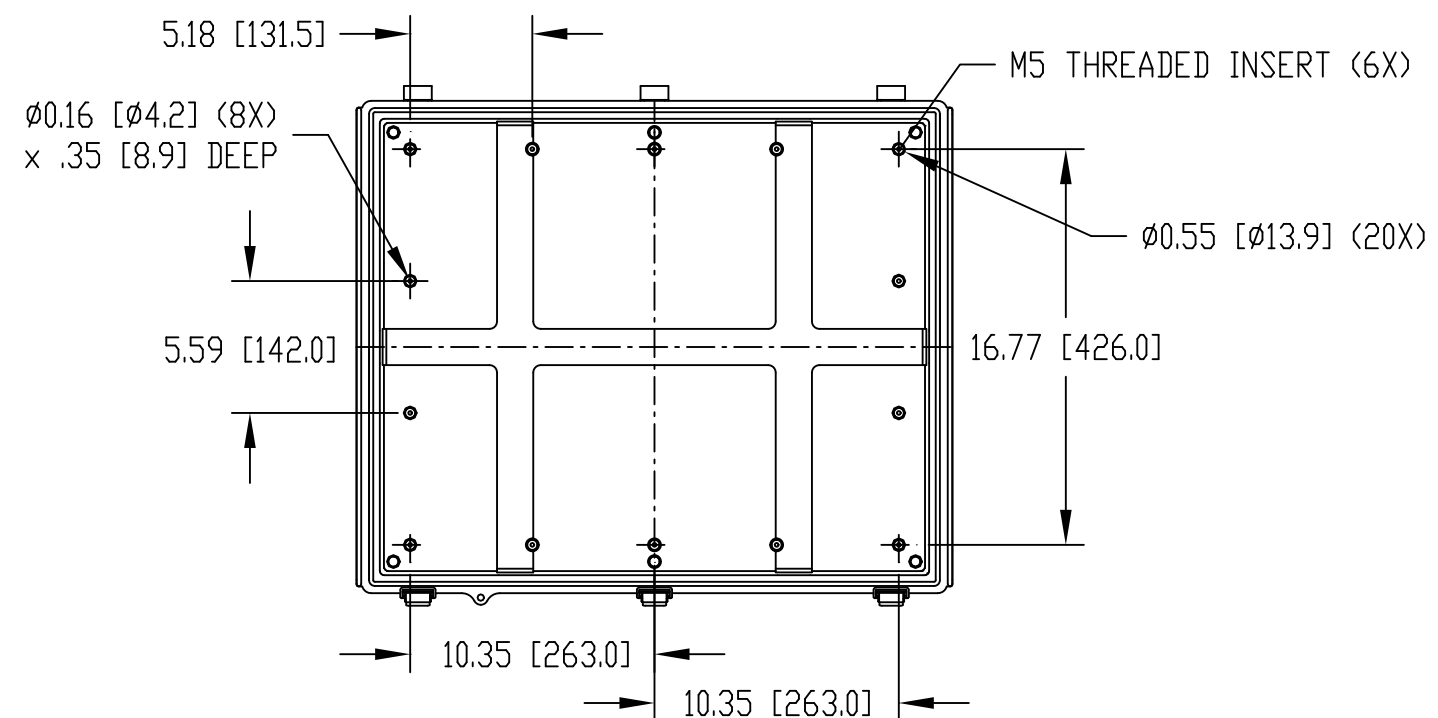
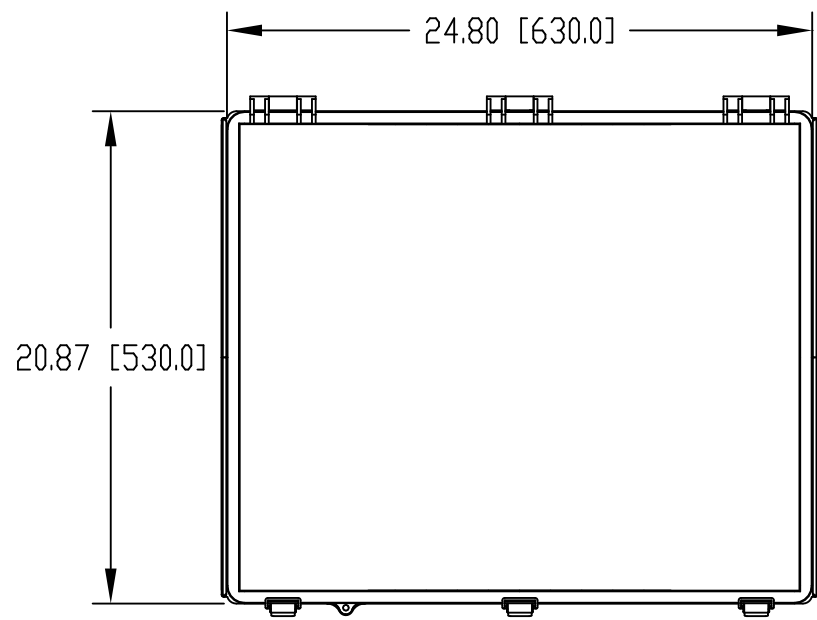
PART No.

PTQ-11080

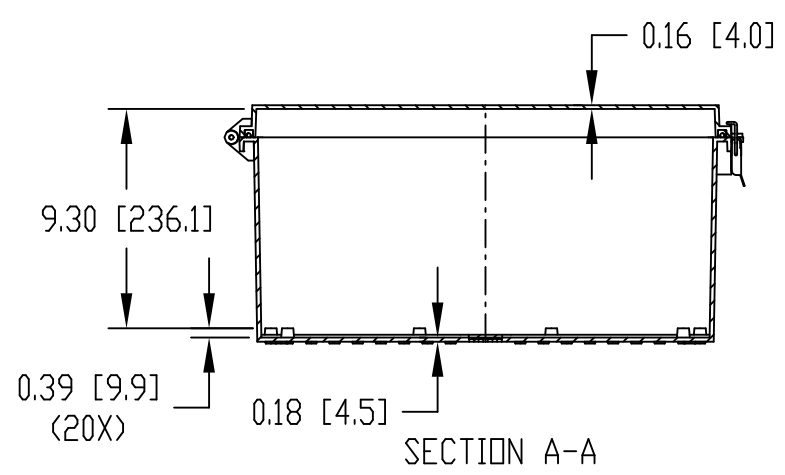
PTQ-11080-C

REV. DATE

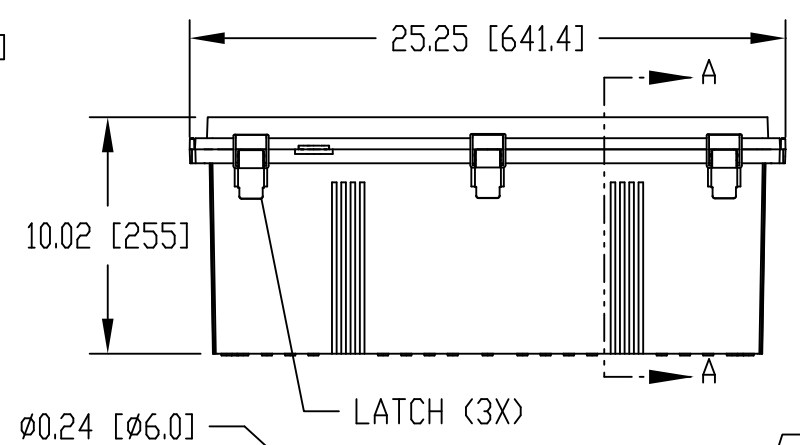
12-2-15



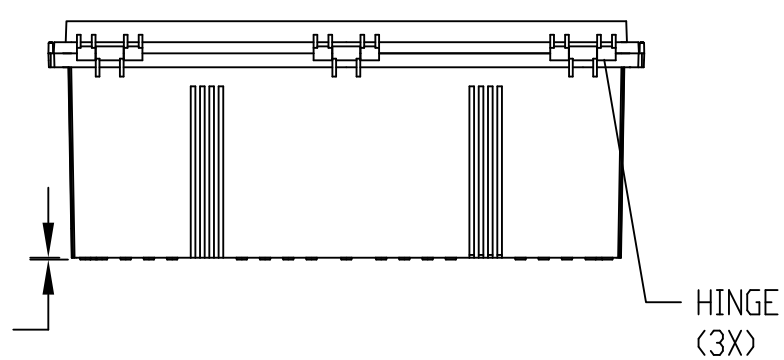
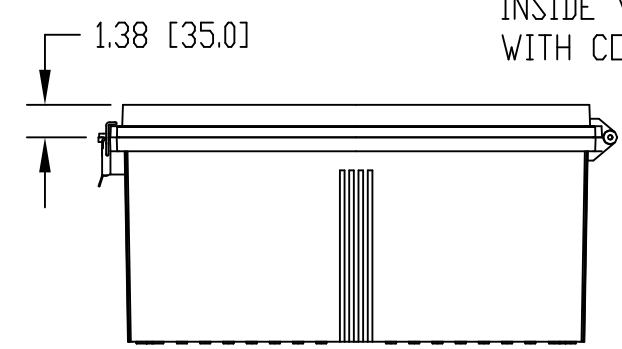
INSIDE VIEW OF BODY WITH COVER REMOVED



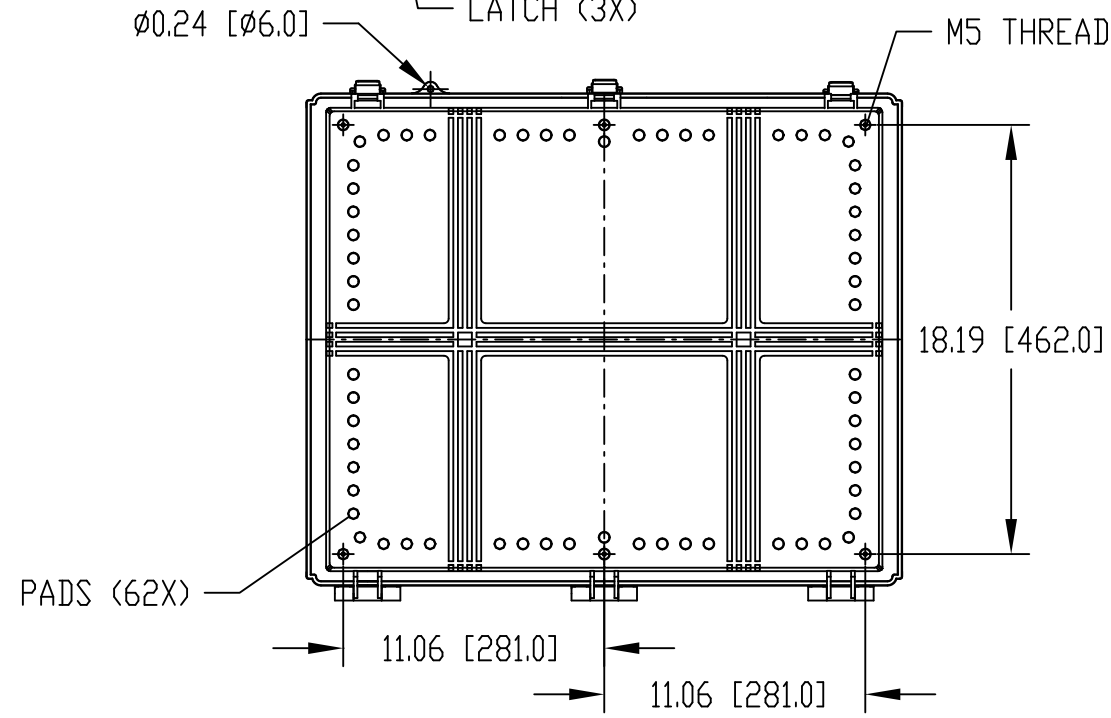
SECTION A-A



LATCH (3X)



HINGE (3X)



PADS (62X)

M5 THREADED INSERT (6X)

MATERIAL:
 BODY - POLYCARBONATE RESIN 10% GLASS FIBER FILLED
 COVER - POLYCARBONATE
 COLOR:
 BODY - LIGHT GRAY
 COVER - LIGHT GRAY OR CLEAR (SUFFIX -C)
 UL508 / NEMA TYPE 4X WITH IP-67 TUV RATING & UL-94V0 RATING
 CONTINUOUS GASKET IN COVER
 SUPPLIED WITH QTY. (12) M5 x 10mm LG. TRUSS HEAD MACHINE SCREWS
 AND QTY. (6) WALL MOUNTING BRACKETS
 DIMENSIONS ARE INCH[MM]
 DRAWING FOR REFERENCE
 OPTIONAL ACCESSORIES:
 INTERNAL STEEL PANEL - #PTX-11080
 INTERNAL STEEL PANEL - #PTX-11080-P
 MOUNTING BRACKET KIT (STAINLESS STEEL) - NBX-10922