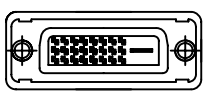
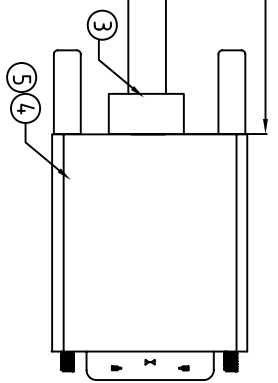
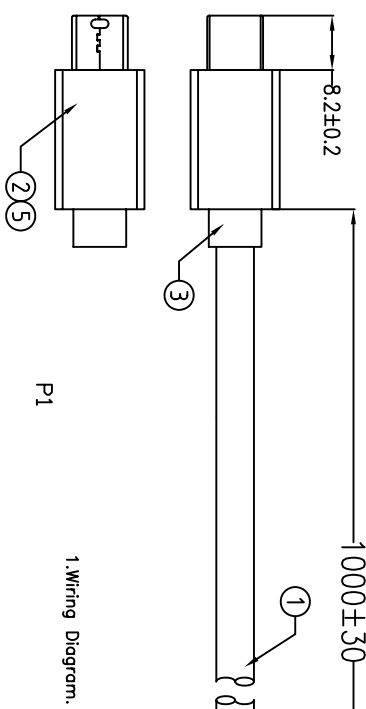
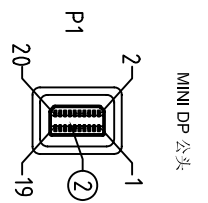


CUSTOMER APPROVED:

DATE:



P1	P2
1 [ML_Lane 0(p)]	1 TMS data2-
2 [ML_Lane 0(n)]	2 TMS data2+
3 [GND]	3 TMS data2 Shield
4 [ML_Lane 1(p)]	4 TMS data1-
5 [ML_Lane 1(n)]	5 TMS data1+
6 [GND]	6 TMS data1 Shield
7 [ML_Lane 2(p)]	7 TMS data0-
8 [ML_Lane 2(n)]	8 TMS data0+
9 [GND]	9 TMS data0 Shield
10 [ML_Lane 3(p)]	10 TMS Clock-
11 [ML_Lane 3(n)]	11 TMS Clock+
12 [GND]	12 TMS Clock Shield
13 [CONFIG 1]	13 (DDC Clock)
14 [CONFIG 2]	14 (DDC Data)
15 [AUX_CH(p)]	15 (Ground)
16 [AUX_CH(n)]	16 (+5V Power)
17 [GND]	17 (Hot Plug Detect)
18 [Hot Plug Detect]	
19 [Return DP_PWR]	
20 [NC]	

SHELL _____ SHELL

5	PE	PE INSERMOLDING	10g		A	20150414	INITIAL RELEASE	2015/04/14
4	CONN	DV124+1 MALE INSULATION WHITE NICKEL PIN G/F W/WHITE COVER W/PCB+IC W/THUMB SCREWS	1SET	P2	REV	ECN#	DESCRIPTION	DATE
3	PVC	45P PVC WHITE OVERMOLD	30g		Cnc Tech, LLC DWN NO. 743-60011-00100 CUSTOMER P/N: _____ TITLE MINI DP / M TO DV124+1 / M CONNECTOR WITH 1.0M			
2	CONN	MINIDP20 MALE INSULATION WHITE NICKEL PIN G/F W/WHITE HODD	1SET	P1				
1	CABLE	UL20276 (32AWG*1P+DW+AL/MY)*5+32AWG*5 C+A+D+B(16/6/0.1AAM) ODS.5 WHITE	1	1000MM	DRAWN	EDWIN LAI	DATE	04/14/15
NO. PART NO.				DESCRIPTION	CHECKED	APPROVAL	CUSTOMER:	REV
BILL OF MATERIAL				QTY	UNIT/REF	SHEET 1 OF 1		

