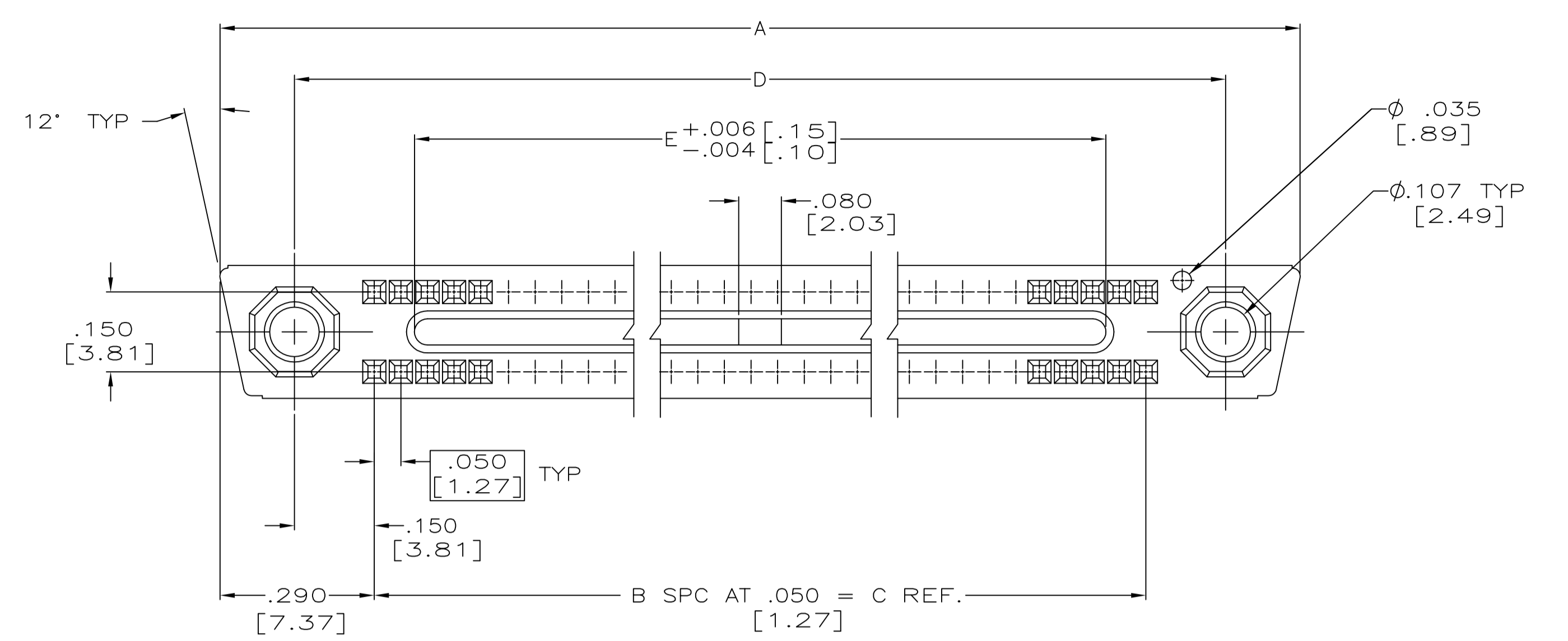
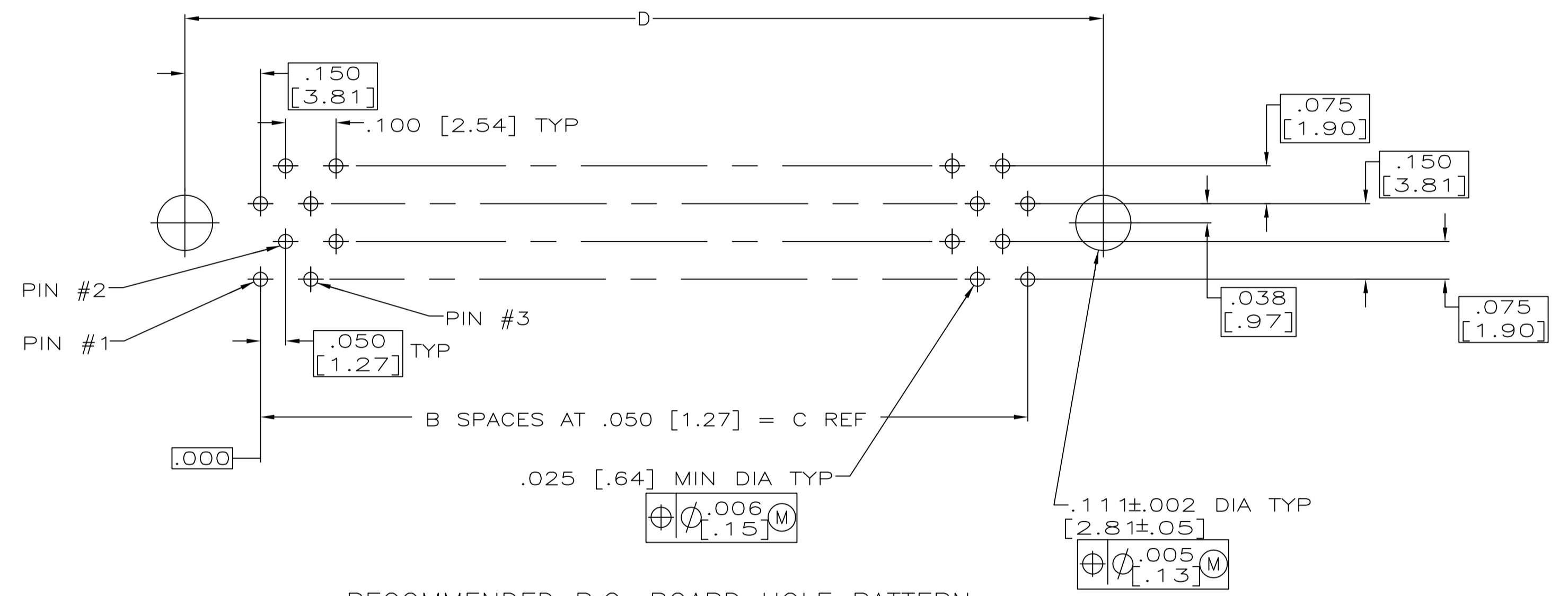
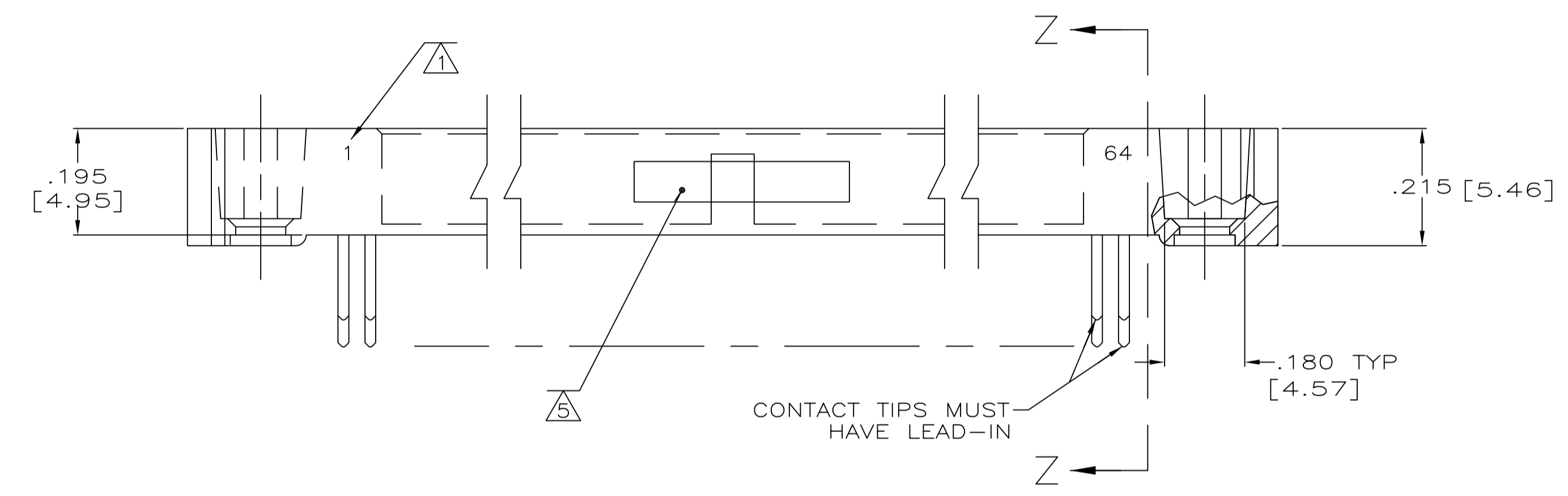


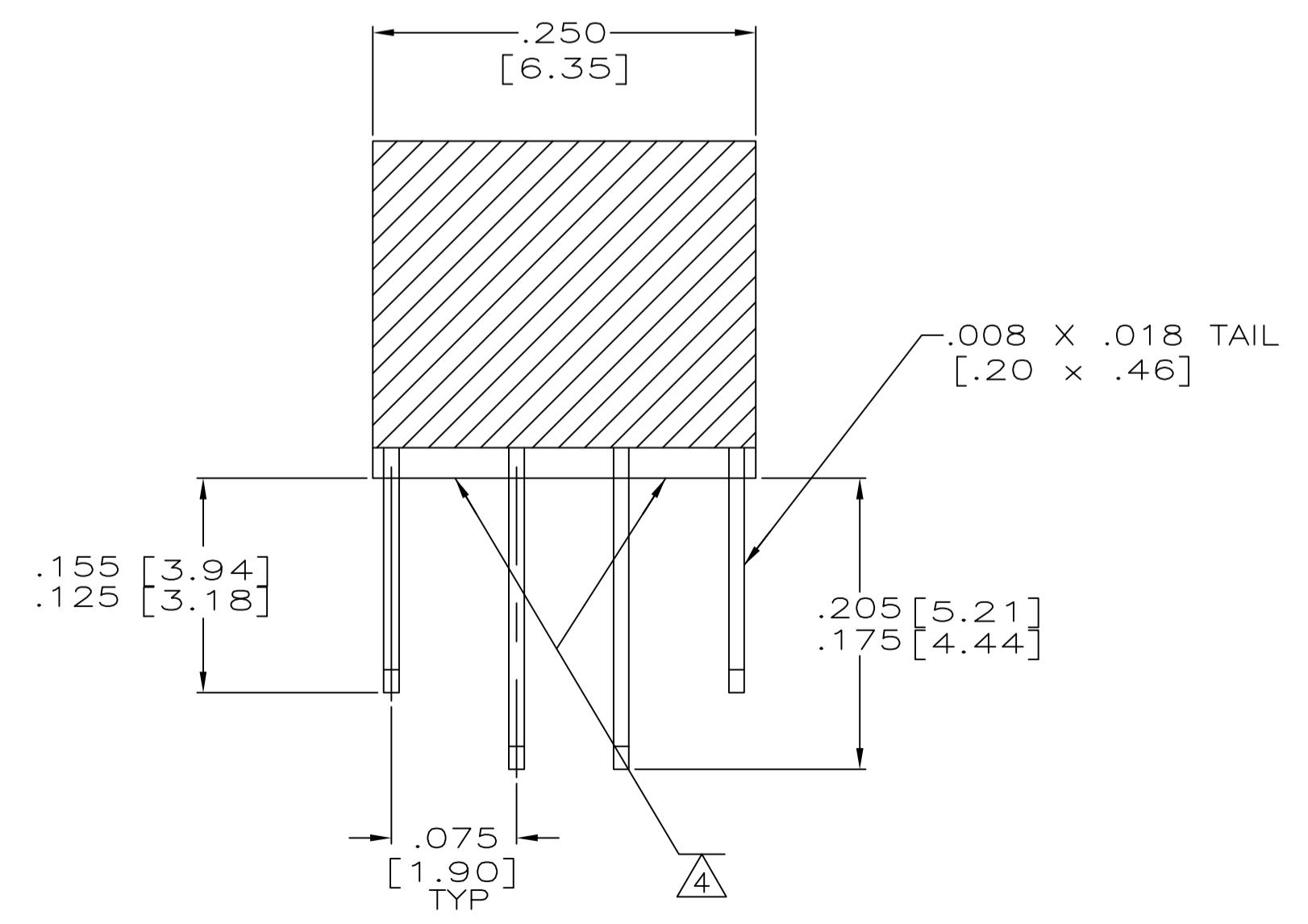
REVISIONS				
P	LTR	DESCRIPTION	DATE	OWN APVD
A		REVISED PER ECO-16-017894	27APR2017	PHM CT



- 1. NUMBERS INDICATING END POSITIONS MARKED THIS SIDE ONLY.
- 2. MEETS ALL APPLICABLE REQUIREMENTS OF MIL-C-55302.
- 3. HOUSING MATERIAL: LIQUID CRYSTAL POLYMER PER MIL-M-24519, GLCP-30F; COLOR: GRAY.
- 4. EPOXY IS ADDED TO BOTTOM OF HOUSING FOR INCREASED CONTACT RETENTION AND SEALING.
- 5. AMP, PART NUMBER, CUSTOMER PART NUMBER AND DATE CODE MARKED IN THIS APPROXIMATE AREA.



RECOMMENDED P.C. BOARD HOLE PATTERN (CONNECTOR SIDE)



SECTION Z-Z
SCALE 10:1

4	94987-232332-1	1 - 64	3.600 [91.44]	3.450 [87.63]	3.150 [80.01]	63	3.850 [97.79]	128	443111-1
REMARKS	CUSTOMER PART NUMBER	CAVITY IDENT	E	D	C	B	A	NO OF POSN	PART NUMBER

THIS DRAWING IS A CONTROLLED DOCUMENT.

DIMENSIONS:	TOLERANCES UNLESS OTHERWISE SPECIFIED:	OWN	3-7-95
mm	0 PLC ± -	T. ALEXANDER	3-8-95
1 PLC ± -	1 PLC ± -	D. GUTTER	3-8-95
2 PLC ± -	2 PLC ± -	APVD	3-8-95
3 PLC ± .005 [13]	3 PLC ± -	D. GUTTER	NAME
4 PLC ± -	4 PLC ± -	PRODUCT SPEC	RECEPTACLE ASSEMBLY, SEALED, MINI-BOX, W/SPECIAL MARKING
ANGLES ± -	ANGLES ± -	APPLICATION SPEC	SIZE CAGE CODE DRAWING NO
FINISH	FINISH	WEIGHT	A1 00779 C=443111
.00050 GOLD IN CONTACT AREA	.00050 GOLD IN CONTACT AREA	CUSTOMER DRAWING	RESTRICTED TO
TIN-LEAD ON TAILS	TIN-LEAD ON TAILS	SCALE	5:1
		SHEET	1 OF 1
		REV	A