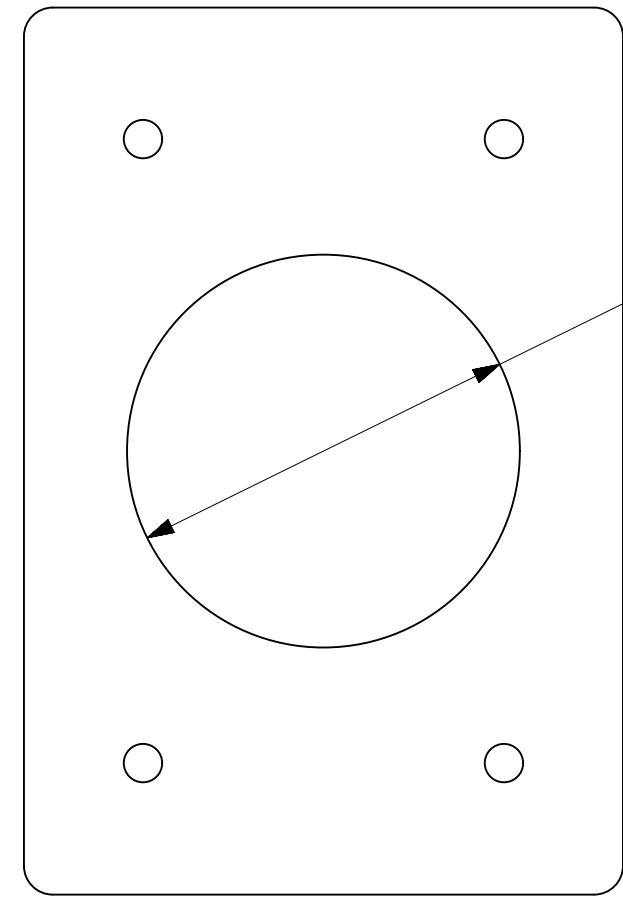
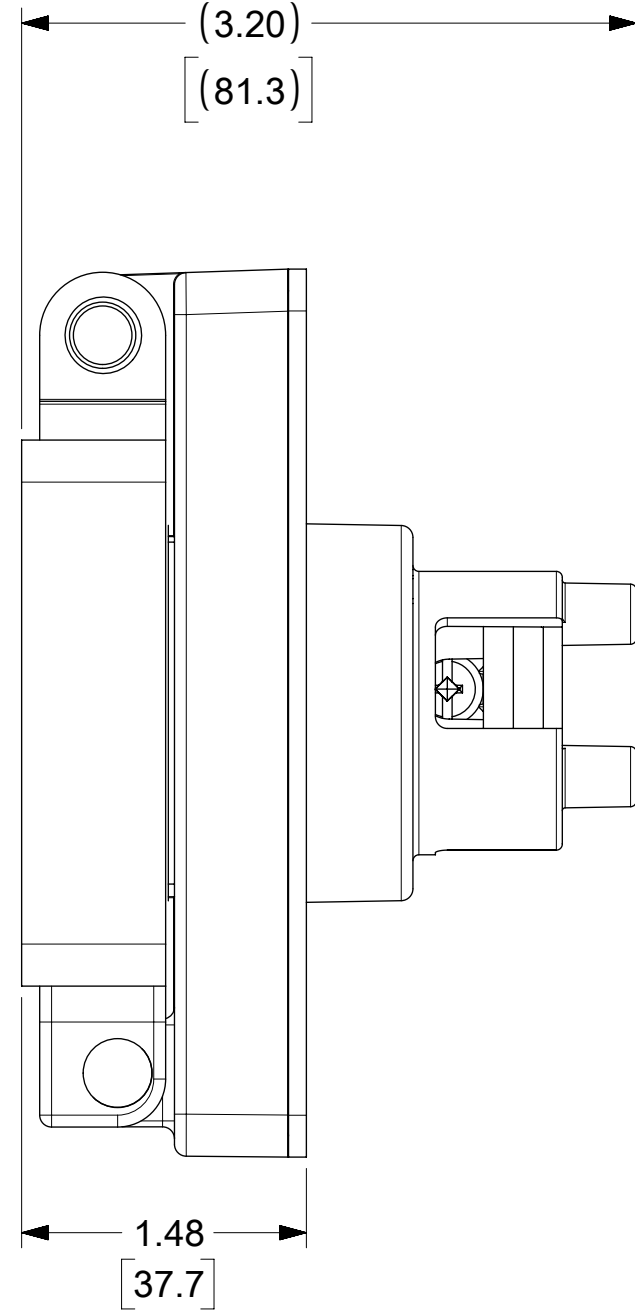
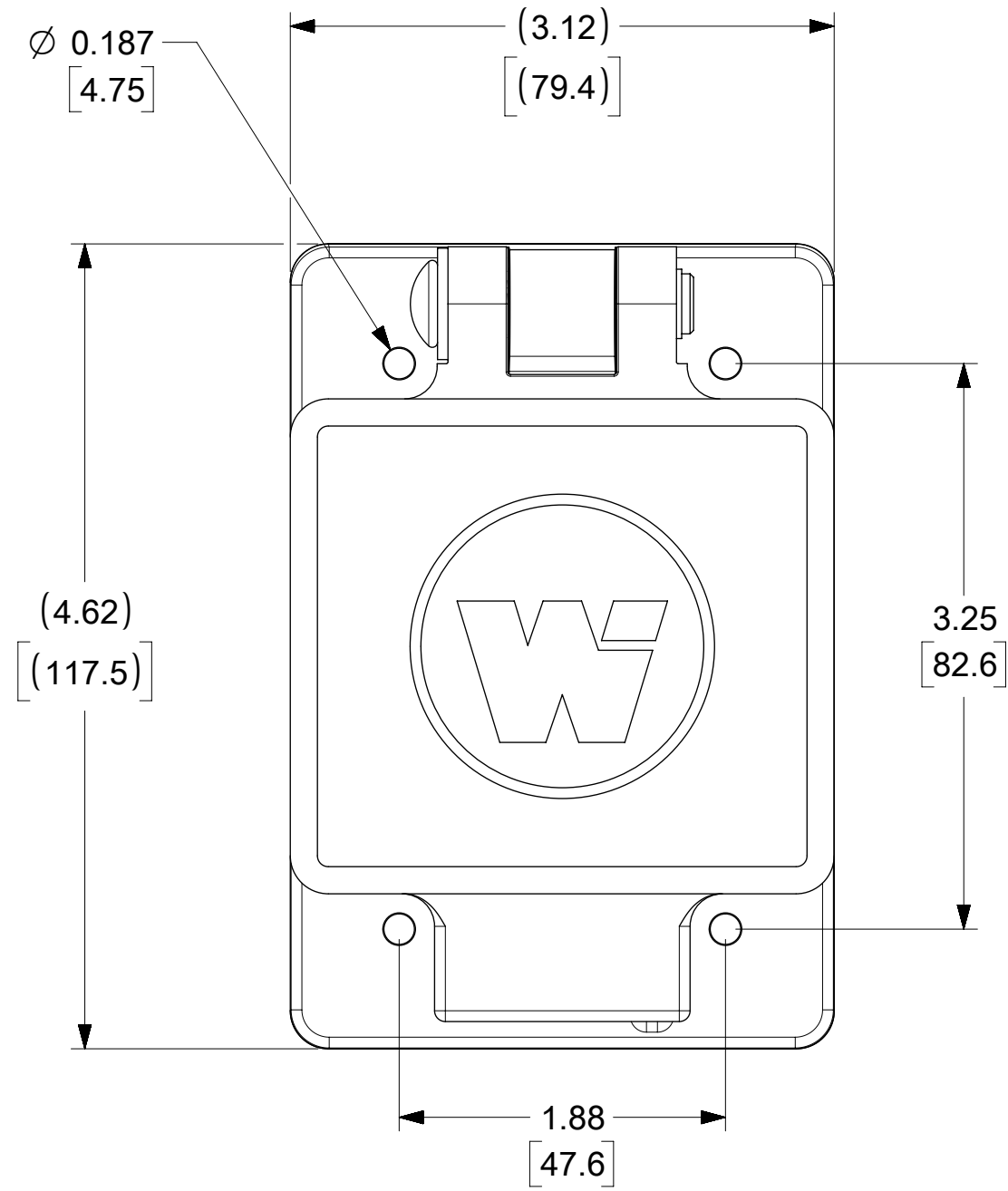
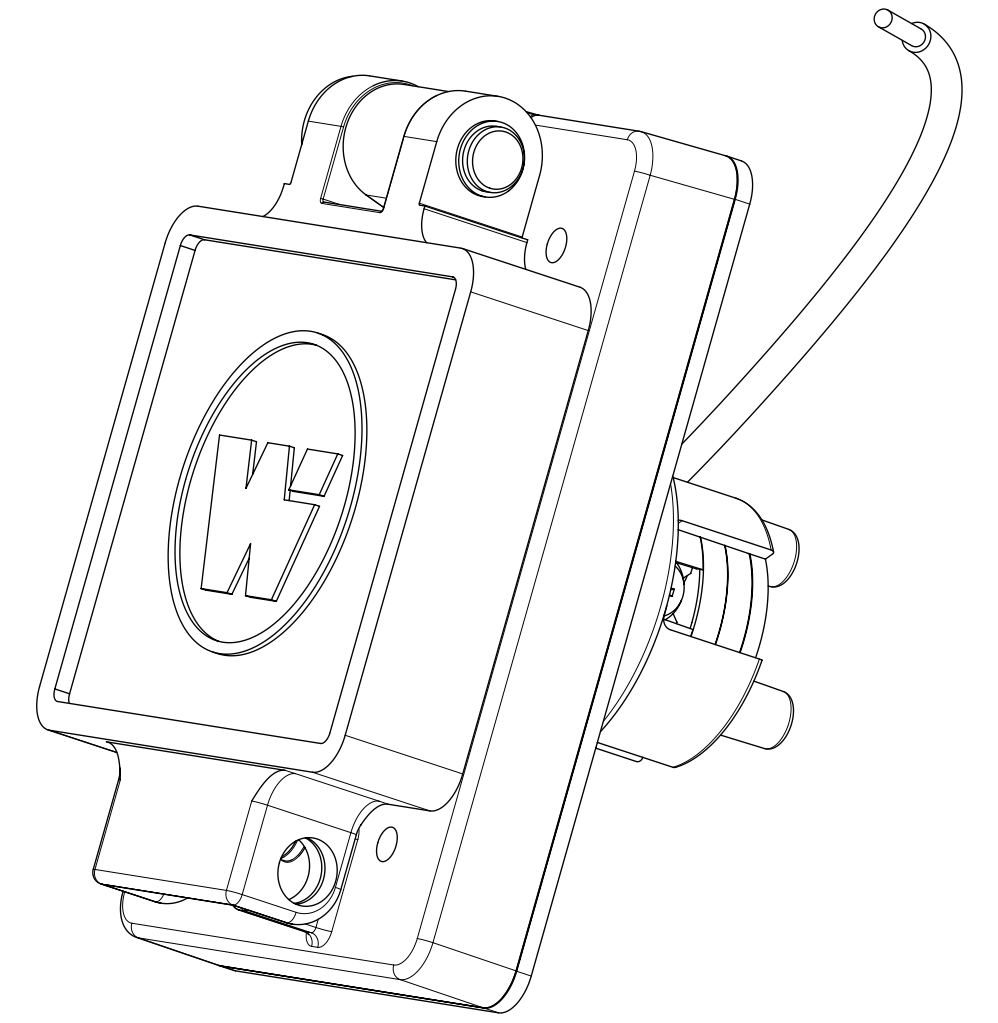


ORDER NO.	WOODHEAD NO.	COLOR
130146-0117	59W48	YELLOW



CLEARANCE HOLE
(FOR PANEL MOUNT)



DESCRIPTION	MATERIAL	QTY.
BLADES	BRASS, NICKEL PLATED	3
RETAINING SCREWS	STAINLESS STEEL	3
CLAMP AND TERMINAL SCREW ASSY.	BRASS, ZINC PLATED	3
MALE INSERT	NYLON	1
TERMINAL COVER	POLYCARBONATE	1
COVER ASSEMBLY	POLYCARBONATE, STAINLESS STEEL, ALUMINUM	1
GASKET FLIP	NEOPRENE	1
MOTOR BASE MTG ASSY	POLYCARBONATE, STAINLESS STEEL, BRASS	1
SCREW (GROUND WIRE)	STAINLESS STEEL	1
JUMPER WIRE ASSY	COPPER, BRASS (TINNED FINISH)	1

THIS DRAWING CONTAINS INFORMATION THAT IS PROPRIETARY TO MOLEX ELECTRONIC TECHNOLOGIES, LLC AND SHOULD NOT BE USED WITHOUT WRITTEN PERMISSION										
SYMBOLS		DIMENSION UNITS		SCALE		CURRENT REV DESC: MIGRATE TO ECTR/NX				
▽ = 0	INCH	MM	NTS			molex WATERTITE MOTORBASE COVERPLATE 2P3W 6-20 PRODUCT CUSTOMER DRAWING EC NO: 613506 DRWN: SRPATIL 2018/12/18 CHK'D: DNGUYEN62 2019/03/12 APPR: HKNEELAND 2019/03/13 INITIAL REVISION: DRWN: SRPATIL 2018/12/18 APPR: HKNEELAND 2019/03/13				
▽ = 0	GENERAL TOLERANCES (UNLESS SPECIFIED)									
▽ = 0	4 PLACES	±	±							
▽ = 0	3 PLACES	±	±							
▽ = 0	2 PLACES	±	±			DOCUMENT NUMBER				
▽ = 0	1 PLACE	±	±			1301460117				
▽ = 0	0 PLACES	±	±			DOC TYPE		DOC PART		REVISION
▽ = 0	ANGULAR TOL ± °					PSD		000		A
▽ = 0	DRAFT WHERE APPLICABLE MUST REMAIN WITHIN DIMENSIONS			THIRD ANGLE PROJECTION		DRAWING		SERIES		SHEET NUMBER
▽ = 0						C-SIZE		130146		1 OF 1

DOCUMENT STATUS	P1	RELEASE DATE	2019/03/13	15:00:00
-----------------	----	--------------	------------	----------