

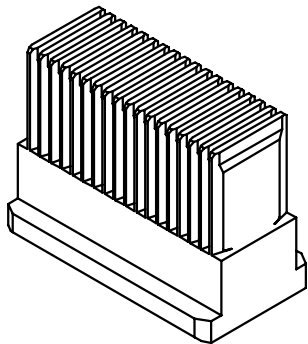
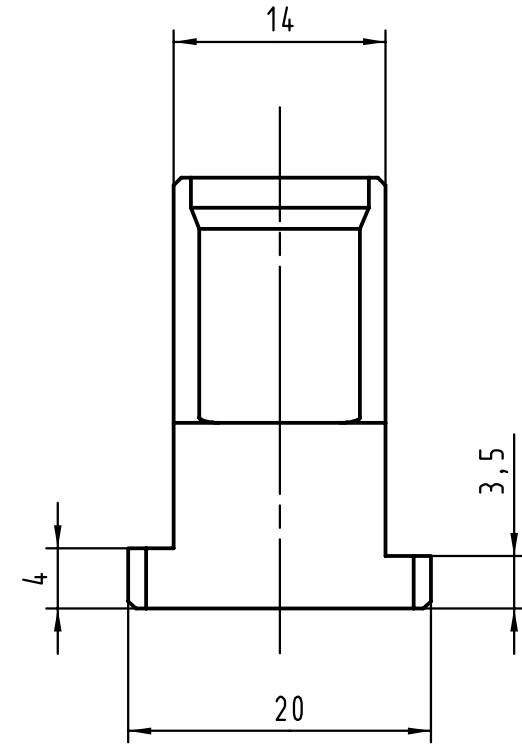
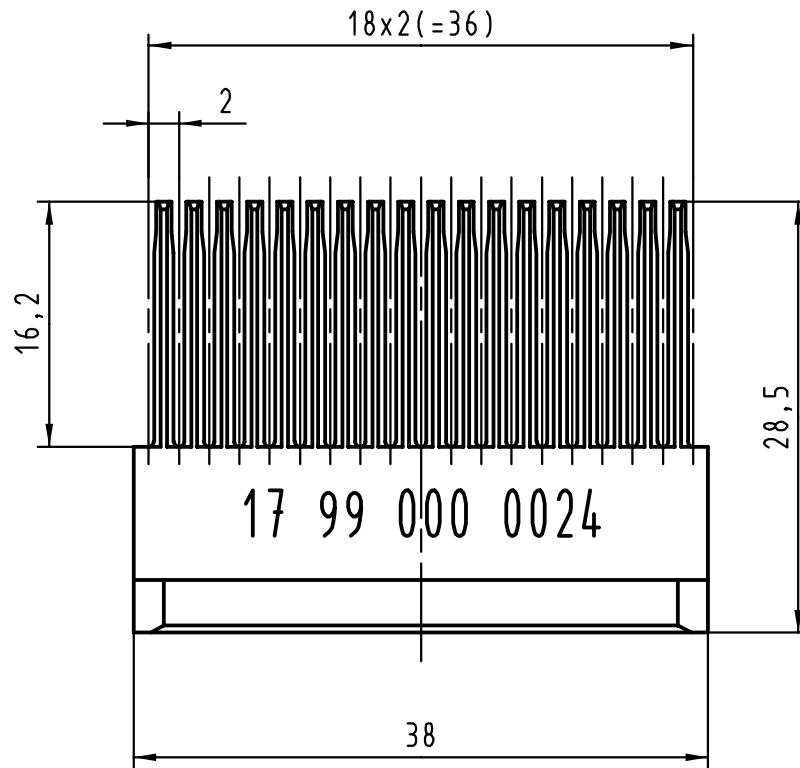
5

4

3

2

1



| | | | | | | | |
|-------|---|------|-----------------------------------|-------------------|---------------|---|--|
| | All Dimensions in mm Original Size DIN A 4 | | | Techn. Character. | | Nicht tolerierte Maßel / Free size tolerances | |
| | | | | Dat. | Name | Maßstab/Scale 2:1 | Unterstempel / Bottom tool har-bus HM Messerleiste / male Typ B 19, AB 19 |
| | | | | Detail. | 23.02.00 Hage | | |
| | | | | Insp. | 23.02.00 drie | | |
| | | | Stand. | | | | |
| 26823 | | | HARTING KGaA D-32339 ESPELKAMP | | | TB 17 99 000 0024 | |
| Mod. | Dat. | Name | | | | Sub. | Blatt/ page |