

SXC SERIES
**105°C, Overvoltage Vent Operation Facility,
Snap-in Terminal Type**
◆ FEATURES

- Load Life : 105°C 2000 hours.
- This series has specification of vent operation in overvoltage situation. Please consult us for any further details.
- RoHS compliance.


◆ SPECIFICATIONS

Items	Characteristics						
Category Temperature Range	-25 ~ +105°C						
Rated Voltage Range	200, 400V.DC						
Capacitance Tolerance	±20%(20°C, 120Hz)						
Leakage Current(MAX)	$I=3\sqrt{CV}$ (After 5 minutes application of rated voltage) I=Leakage Current(µA) V=Rated Voltage(V) C=Rated Capacitance(µF)						
Dissipation Factor(MAX) (tanδ)	0.15(20°C, 120Hz)						
Impedance Ratio(MAX)	<table border="1"> <thead> <tr> <th>Rated Voltage(V)</th> <th>200</th> <th>400</th> </tr> </thead> <tbody> <tr> <td>Z(-25°C)/Z(20°C)</td> <td>3</td> <td>8</td> </tr> </tbody> </table> (120Hz)	Rated Voltage(V)	200	400	Z(-25°C)/Z(20°C)	3	8
Rated Voltage(V)	200	400					
Z(-25°C)/Z(20°C)	3	8					
Endurance	After applying rated voltage with rated ripple current for 2000hrs at 105°C, the capacitors shall meet the following requirements. <table border="1"> <tbody> <tr> <td>Capacitance Change</td> <td>Within ±20% of the initial value.</td> </tr> <tr> <td>Dissipation Factor</td> <td>Not more than 200% of the specified value.</td> </tr> <tr> <td>Leakage Current</td> <td>Not more than the specified value.</td> </tr> </tbody> </table>	Capacitance Change	Within ±20% of the initial value.	Dissipation Factor	Not more than 200% of the specified value.	Leakage Current	Not more than the specified value.
Capacitance Change	Within ±20% of the initial value.						
Dissipation Factor	Not more than 200% of the specified value.						
Leakage Current	Not more than the specified value.						

◆ MULTIPLIER FOR RIPPLE CURRENT

Frequency coefficient

(Hz)Frequency	60(50)	120	500	1k	10k ≦	
Coefficient	200WV	0.80	1.00	1.10	1.14	1.18
	400WV	0.80	1.00	1.05	1.10	1.15

◆ PART NUMBER

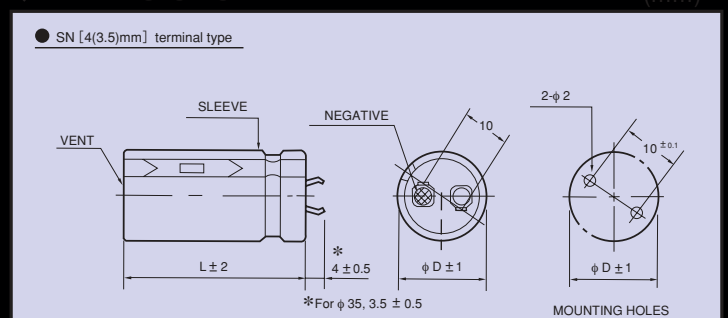
□□□	SXC	□□□□□	□	□□□	SN	DXL
Rated Voltage	Series	Rated Capacitance	Capacitance Tolerance	Option	Terminal Code	Case Size

◆ Option

	Code
PET Sleeve without plate	EFC
PVC Sleeve without plate	OOE
PVC Sleeve with plate	Blank

◆ DIMENSIONS

(mm)



◆ STANDARD SIZE

Cap(μF)	WV		200												
	φ	D	φ 20		φ 22		φ 25		φ 30		φ 35				
82	20	20	0.42												
100	20	20	0.47	22	20	0.51									
120	20	20	0.52	22	20	0.56									
150	20	25	0.69	22	25	0.69	25	20	0.63						
180	20	25	0.75	22	25	0.75	25	20	0.70						
220	20	30	0.87	22	25	0.88	25	25	0.88	30	20	0.85			
270	20	35	1.00	22	25	0.99	25	25	0.99	30	20	0.95			
330	20	40	1.20	22	30	1.20	25	25	1.20	30	20	1.05	35	20	1.08
390				22	35	1.30	25	30	1.34	30	25	1.30	35	20	1.15
470				22	40	1.44	25	30	1.44	30	25	1.48	35	25	1.48
560				22	45	1.60	25	35	1.60	30	30	1.60	35	25	1.58
680							25	40	1.76	30	30	1.74	35	25	1.74
820										30	35	2.11	35	30	2.10
1000										30	45	2.40	35	30	2.30
1200													35	35	2.65
1500													35	45	3.08

Cap(μF)	WV		400												
	φ	D	φ 20		φ 22		φ 25		φ 30		φ 35				
22	20	20	0.20												
27	20	20	0.22	22	20	0.23									
33	20	20	0.25	22	20	0.25									
39	20	25	0.35	22	20	0.28	25	20	0.30						
47	20	25	0.39	22	25	0.39	25	20	0.34						
56	20	30	0.44	22	25	0.45	25	20	0.39	30	20	0.41			
68	20	35	0.51	22	25	0.49	25	25	0.49	30	20	0.45			
82	20	40	0.57	22	30	0.56	25	25	0.56	30	20	0.50	35	20	0.51
100				22	35	0.62	25	30	0.61	30	25	0.59	35	20	0.54
120				22	40	0.73	25	30	0.73	30	25	0.73	35	20	0.61
150				22	45	0.85	25	35	0.85	30	30	0.79	35	25	0.78
180							25	40	0.94	30	30	0.95	35	25	0.95
220							25	45	1.07	30	35	1.24	35	30	1.24
270										30	35	1.35	35	35	1.28
330										30	45	1.47	35	35	1.41
390													35	40	1.59
470													35	45	1.87

↑ Ripple Current (A r.m.s./120Hz, 105°C)
 ↑ Case Size φ D×L(mm)