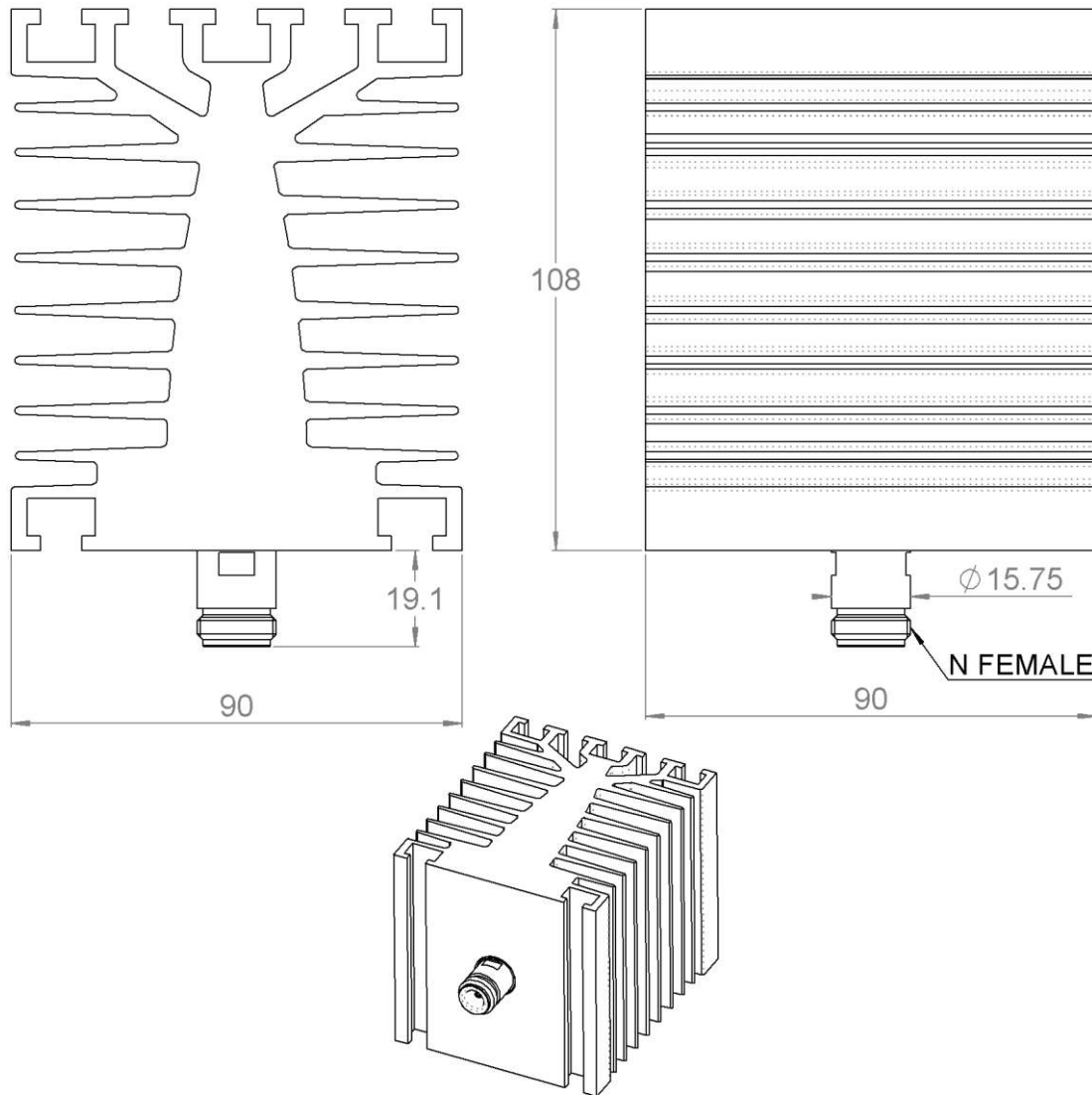


|          |                 |                              |                               |
|----------|-----------------|------------------------------|-------------------------------|
| PAGE 1/2 | ISSUE 08-11-19B | SERIES<br><b>TERMINATION</b> | PART NUMBER <b>R404771000</b> |
|----------|-----------------|------------------------------|-------------------------------|



All dimensions are in mm. Tolerances according ISO 2768 m-H



| COMPONENTS     | MATERIALS                | PLATING ( $\mu\text{m}$ )                |
|----------------|--------------------------|--|
| Body           | <b>BRASS</b>             | <b>BBR 3</b>                             |
| Center contact | <b>BERYLLIUM COPPER</b>  | <b>GOLD 0.5 OVER NICKEL PHOSPHORUS 2</b> |
| Outer contact  |                          |  |
| Insulator      | <b>PTFE</b>              |  |
| Gasket         |                          |  |
| Substrate      | <b>ALUMINIUM NITRIDE</b> |  |
| Resistor       | <b>THICK FILM</b>        |  |
| Others parts   | <b>ALUMINIUM</b>         | <b>BLACK ANODIZATION</b>                 |

|          |                        |                              |                               |
|----------|------------------------|------------------------------|-------------------------------|
| PAGE 2/2 | ISSUE <b>08-11-19B</b> | SERIES<br><b>TERMINATION</b> | PART NUMBER <b>R404771000</b> |
|----------|------------------------|------------------------------|-------------------------------|

**ELECTRICAL CHARACTERISTICS**

|                 |               |              |
|-----------------|---------------|--------------|
| Frequency (GHz) | <b>DC - 3</b> | <b>3 - 6</b> |
| V.S.W.R (≤)     | <b>1.20</b>   | <b>1.40</b>  |

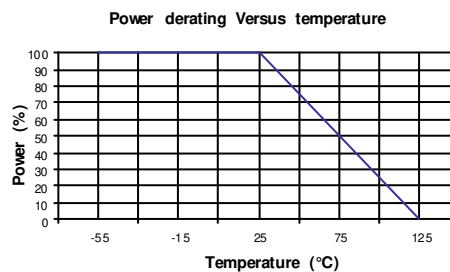
|                              |               |                       |
|------------------------------|---------------|-----------------------|
| Operating Frequency Range    | <b>DC - 6</b> | GHz                   |
| Impedance                    | <b>50</b>     | Ω                     |
| DC Resistance                | <b>50</b>     | Ω ± 5%                |
| Peak power at 25°C (1μs, 1%) | <b>2000</b>   | W                     |
| Average power at 25°C        | <b>100</b>    | W (Free Air Cooled)   |
|                              |               | W (Conduction Cooled) |

**MECHANICAL CHARACTERISTICS**

|            |                     |               |                   |
|------------|---------------------|---------------|-------------------|
| Connectors | <b>N</b>            | <b>Female</b> | <b>MIL C39012</b> |
| Weight     | <b>1 232,5200</b> g |               |                   |

**ENVIRONMENTAL CHARACTERISTICS**

|                             |                 |    |
|-----------------------------|-----------------|----|
| Operating temperature range | <b>-55/+125</b> | °C |
| Storage temperature range   | <b>-55/+125</b> | °C |



**SPECIFICATION**

**OTHER CHARACTERISTICS**

**MOUNTED WITH VERTICAL COOLING FINS AND NATURAL CONVECTION**