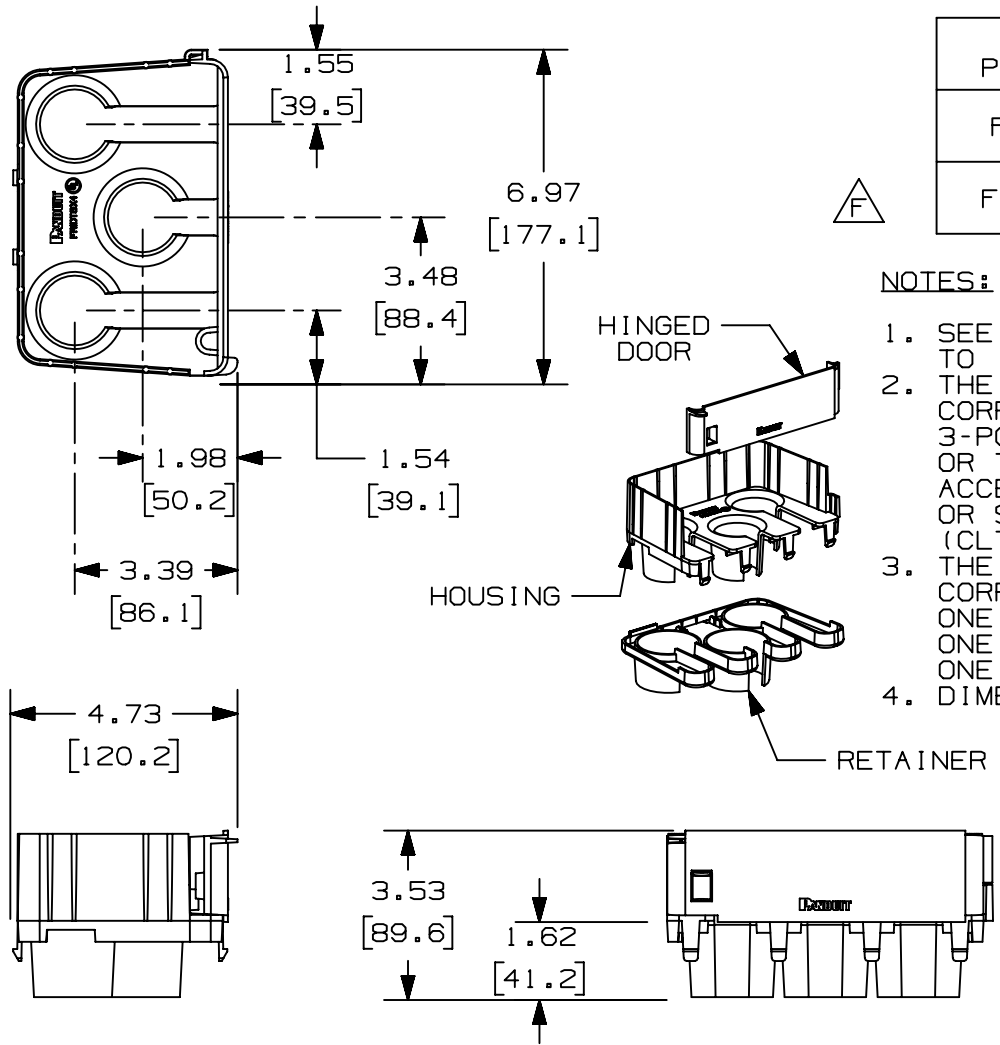


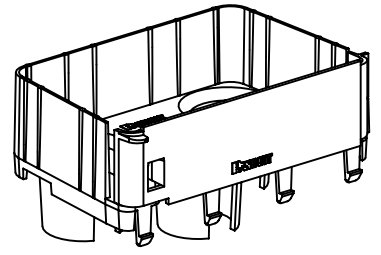
THIS COPY IS PROVIDED ON A RESTRICTED BASIS AND IS NOT TO BE USED IN ANY WAY DETRIMENTAL TO THE INTERESTS OF PANDUIT CORP.



PANDUIT PART NUMBER	WEIGHT	MATERIAL
FRIDT6X4**	0.6 LB/EACH (272g/EACH)	ABS
FRIDT6X4L**	0.6 LB/EACH (272g/EACH)	PC/ABS

NOTES:

1. SEE CURRENT CATALOG FOR ADDITIONAL PART SUFFIXES TO INDICATE COLOR AND/OR PACKAGE QUANTITY.
2. THE FIBERRUNNER 6x4 3-PORT SPILL-OUT TO 1 1/2" I.D. CORRUGATED LOOM TUBING IS USED TO CREATE A 3-PORT FLEXIBLE SPILL-OUT INTO EQUIPMENT FRAMES OR TELECOMMUNICATIONS CABINETS. THE SPILL-OUT ACCEPTS THREE (3) PIECES OF 1 1/2" (38.1) I.D. SLIT OR SOLID WALL CORRUGATED LOOM TUBING (CLT150F-X**, CLTS150F-D3)
3. THE FIBERRUNNER 6x4 3-PORT SPILL-OUT TO 1 1/2" I.D. CORRUGATED LOOM TUBING INCLUDES:
ONE (1) 3-PORT SPILL-OUT HOUSING,
ONE (1) 3-PORT SPILL-OUT RETAINER,
ONE (1) 3-PORT SPILL-OUT HINGED DOOR
4. DIMENSIONS IN PARENTHESES ARE IN METRIC.



B

B

A

A

N\GLOBAL-ASIZE

REV	DATE	BY	CHK	APR	DESCRIPTION	ECN
03A	01-14-20	MES	DWR	DWR	F. ADDED FRIDT6X4L** PART NUMBER	V09002DZ/01

TITLE FIBERRUNNER 6x4 3-PORT SPILL-OUT TO 1 1/2" I.D. CORRUGATED LOOM TUBING (FRIDT6X4**, FRIDT6X4L**) CUSTOMER DRAWING					
ITEM REVISION NAME D37617EC/05					
DATASET FILE NAME D37617EC_DC/03A					
UNLESS OTHERWISE SPECIFIED, DIMENSIONAL TOLERANCES ARE: (.X) ± .03 (.8) (.XXX) ± .03 (1.8) ANGLES ± .03 (1.8)					MATERIAL: SEE PART NUMBER TABLE ABOVE
THIRD ANGLE PROJECTION					DRAWING NUMBER: 37617-95
DRAWN BY MSO	DATE 12-27-01	CHK WAB	SCALE NONE	SHT 1 OF 1	SIZE A