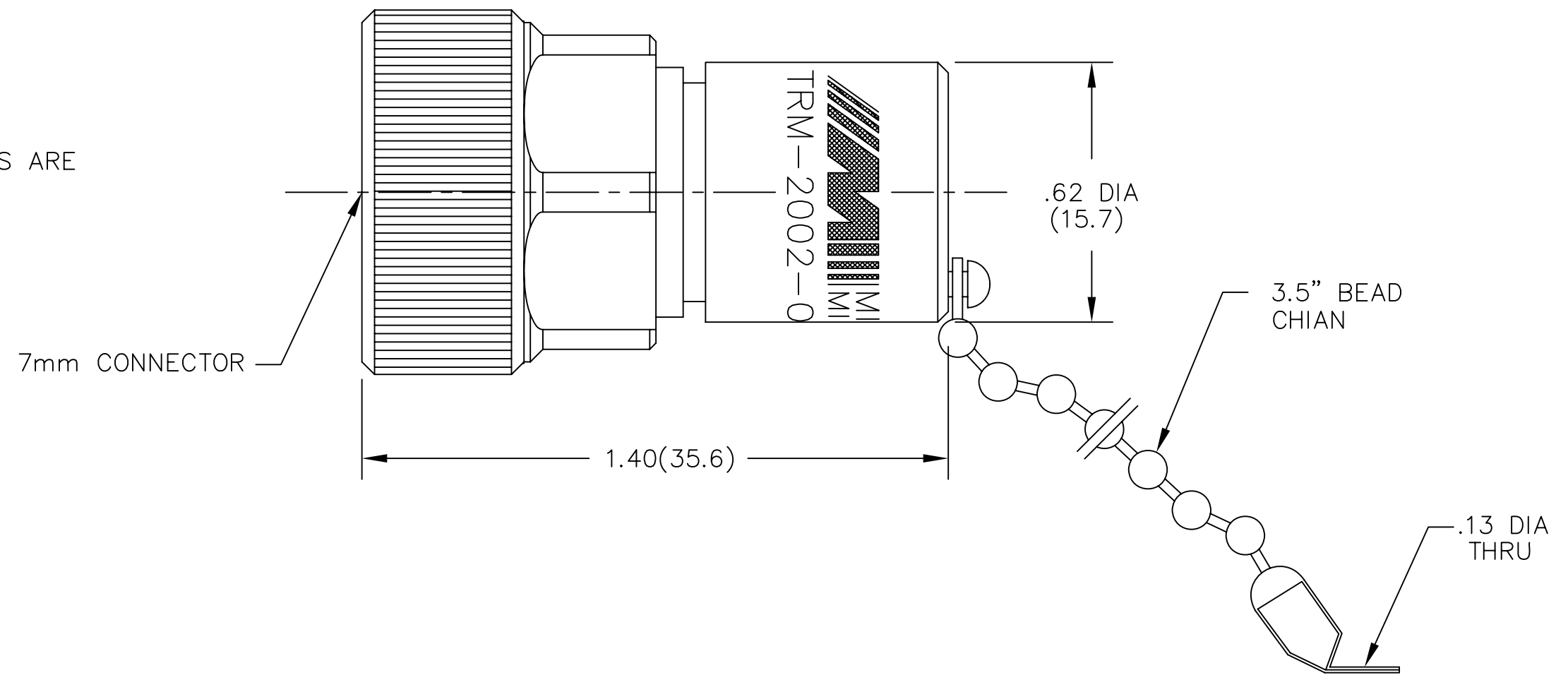


NOTES:

- 1.0 SPECIFICATIONS:
- 1.1 FREQUENCY RANGE: DC to 18.0 GHz
- 1.2 MAXIMUM INPUT POWER: 2 WATTS AVERAGE AT +25°C DERATED LINEARLY TO 0.5 WATTS AT +125°C
- 1.3 OPERATING TEMP. RANGE: -55°C to +125°C
- 1.4 IMPEDANCE: 50 OHMS
- 1.5 VSWR: 1.025 +0.002f(GHz) MAX.

- 2.0 MARKING
- 2.1 MARK UNIT AS SHOWN (REF.: INK-02611-27-11)

3.0 DIMENSIONS IN PARENTHESIS ARE IN MILLIMETERS.



REV.	DESCRIPTION	DATE
-	RELEASED	3/25/92
-1	ADDED TITLEBLOCK	10/26/05

UNLESS OTHERWISE NOTED DIMENSIONS ARE IN INCHES AND TOLERANCES ARE: 3 PLACE DECIMALS ±.005 2 PLACE DECIMALS ±.02 FRACTIONS ±1/64 PARALLELITY: T.I.R. _____ FLATNESS: T.I.R. _____ CONCENTRICITY: T.I.R. _____ ANGLES AND PERPENDICULARITY: ±1'	FSCM NO. 34078	MIDWEST MICROWAVE	
	NOTICE: The information contained in this drawing is proprietary and must not be used without the permission of Midwest Microwave	TITLE TERMINATION	
		DRAWN/DATE A.BEATTY 3/20/92	ENG./DATE G.KOZAK 3/25/92
	CHECKED/DATE	APPROVED/DATE	SCALE: 3=1