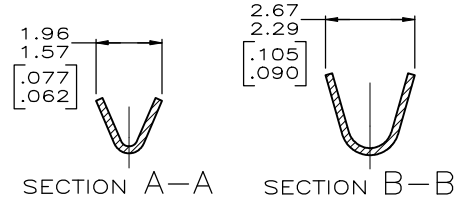
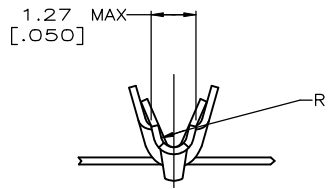
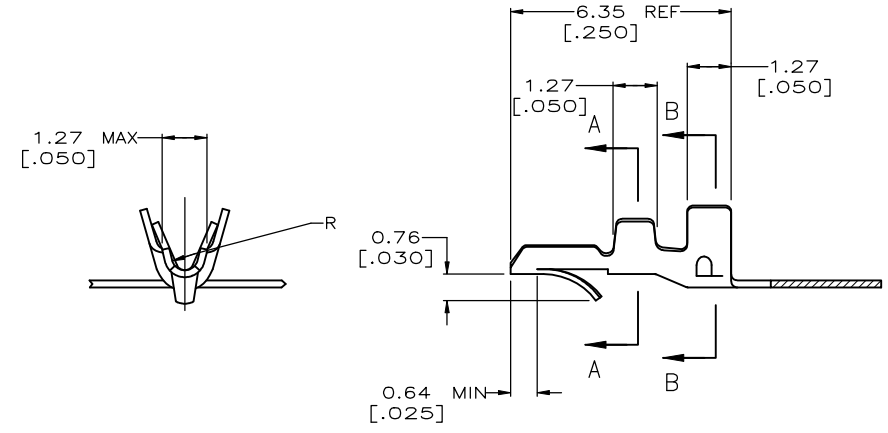
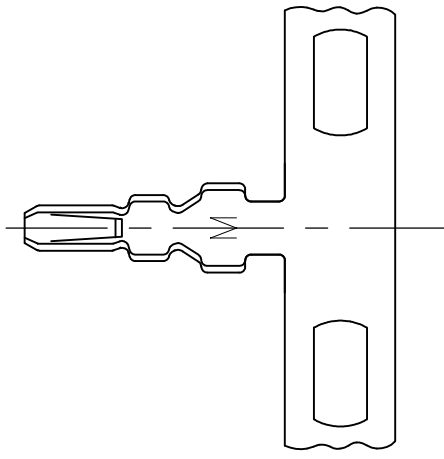
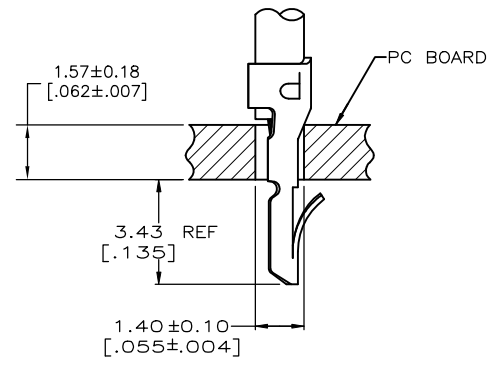


THIS DRAWING IS UNPUBLISHED. RELEASED FOR PUBLICATION
 © COPYRIGHT - By - ALL RIGHTS RESERVED.

REVISIONS				
REV	LTR	DESCRIPTION	DATE	APP'D
J2		REVISED PER ECO-17-013369	14MAR2018	J.Z. D.Z.

- PARTS COMPLY WITH AMP SOLDERABILITY SPEC 109-11-3.
- PARTS CAPABLE OF BEING APPLIED BY AMPOMATER.
- 0.00508 [.000200] MIN BRIGHT TIN-LEAD.
- WIRE RANGE: 0.12 - 0.4 mm² (26 - 22 AWG).
- INSULATION RANGE: 1.02 - 1.78 [.040 - .070] DIA.
- DIMENSIONS IN BRACKETS ARE IN INCHES.
- 0.00508 [.000200] MIN BRIGHT TIN.



METRIC

	Δ	0.20[.008] PH BRZ	3-640663-1
OBSOLETE	Δ	0.20[.008] PH BRZ	640663-1
	FINISH	MATERIAL	PART NO

THIS DRAWING IS A CONTROLLED DOCUMENT.		DWN: S. CARPENTER 21AUG2003		
DIMENSIONS: INCHES		CHK: J. ELLIS 21AUG2003		
TOLERANCES UNLESS OTHERWISE SPECIFIED:		APP'D: J. ELLIS 21AUG2003	NAME: MINI AMP-IN™	
0 PLC ± 1 PLC ± 2 PLC ± 3 PLC ± 0.13 [.005] 4 PLC ± ANGLES ±		PRODUCT SPEC	APPLICATION SPEC	
MATERIAL: SEE TABLE		FINISH: SEE TABLE	WEIGHT: 0.000000	RESTRICTED TO: -
CUSTOMER DRAWING		SIZE: A2	CAGE CODE: 00779	DRAWING NO: 640663
		SCALE: 10:1	SHEET: 1 of 1	REV: J2

A/C BUSINESS GROUP 3323 177-34 RALPH VESTAL

640663