

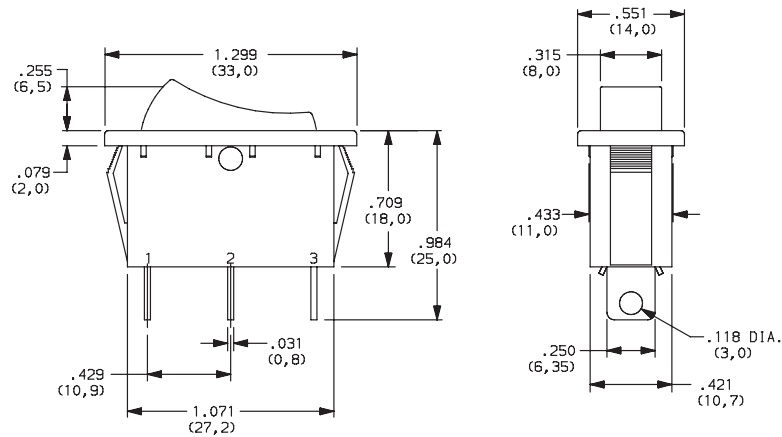
CM Series Single Pole Power Rocker Switches

SWITCH FUNCTION



NO. POLES	MODEL NO.	SWITCH FUNCTION			CONNECTED TERMINALS			SCHEMATIC	
		Pos. 1	Pos. 2	Pos. 3	Pos. 1	Pos. 2	Pos. 3		
SP	CM101	ON	NONE	ON	2-1	N/A	2-3		
	CM102	ON	NONE	OFF			OPEN		
	CM103	ON	OFF	ON					
	CM107	ON	OFF	MOM.			OPEN	2-3	
	CM12 *	ON	NONE	OFF			N/A	OPEN	

* CM12 - for switches with both marking and illumination



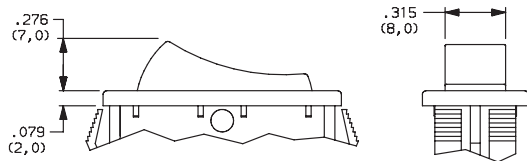
Shown in Pos. 1

ACTUATOR



J1 ROCKER

J3 ILLUMINATED ROCKER



NOTE: J3 actuator available with CM102 & CM12 switch function only.



Third Angle Projection

Dimensions are shown: Inches (mm)
Specifications and dimensions subject to change

C&K

16 May 18

G-92

www.ckswitches.com

Rocker

G

CM Series Single Pole Power Rocker Switches

ACTUATOR COLOR



OPTION CODE	ACTUATOR COLOR
2	BLACK
1	WHITE
3	RED
R	RED, ILLUMINATED
A	AMBER, ILLUMINATED
G	GREEN, ILLUMINATED

MOUNTING STYLE/COLOR

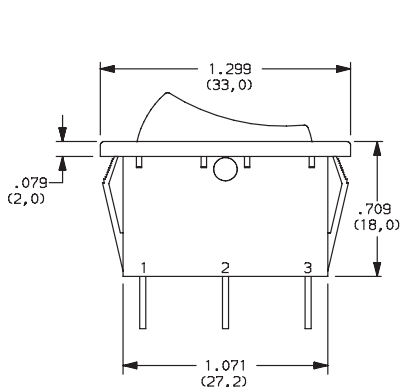


S2 SNAP-IN, BLACK

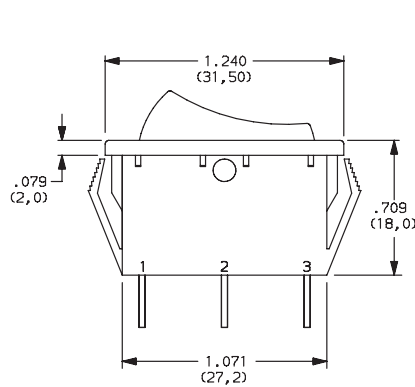
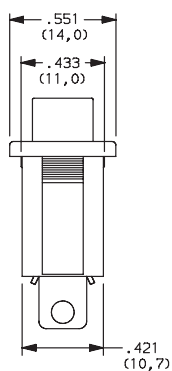
S4 SNAP-IN, BLACK (SHORT FRAME)

S1 SNAP-IN, WHITE

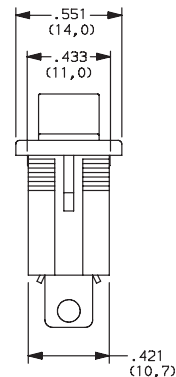
S3 SNAP-IN, WHITE



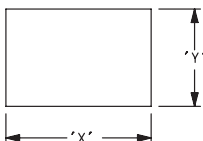
Shown in Pos. 1



Shown in Pos. 1



PANEL MOUNTING



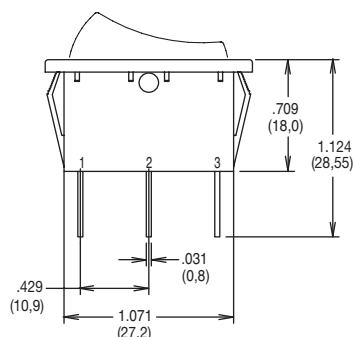
PANEL THICKNESS	"X"	"Y"
0.030-0.049 (0,75-1,25)	1.189-.004 (30,2-0,1)	0.441+.004 (11,2+0,1)
0.049-0.079 (1,25-2,0)	1.197-.004 (30,4-0,1)	0.441+.004 (11,2+0,1)
0.079-0.118 (2,0-3,0)	1.212-.004 (30,8-0,1)	0.441+.004 (11,2+0,1)

TERMINATION

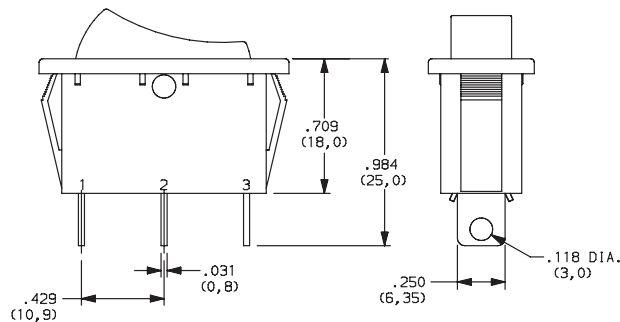
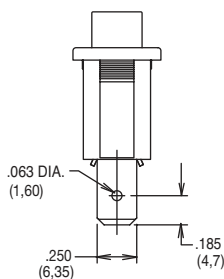


05 .250 QUICK CONNECT

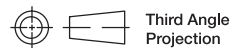
07 SOLDER LUG



Shown in Pos. 1



NOTE: Available with CM101 & CM102 switch functions only.



Dimensions are shown: Inches (mm)
Specifications and dimensions subject to change



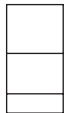
16 May 18



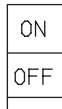
CM Series Single Pole Power Rocker Switches

ACTUATOR MARKING

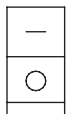
NONE NO MARKING



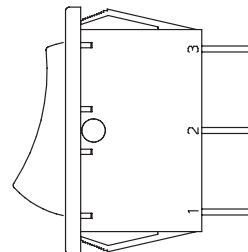
D ON-OFF



H 0 I



P 0 -



NOTE: Orientation of actuator marking and terminals.

Shown in Pos. 1

CONTACT MATERIAL

OPTION CODE	CONTACT AND TERMINAL MATERIAL	RATINGS	
		QA	SILVER

* Note: See Technical Data section of this catalog for RoHS compliant and compatible definitions and specifications.



LAMP RATING

(NONE) NO LAMP

7 125 VAC 33kΩ NEON

8 250 VAC 150kΩ NEON

NOTE: Lamp rating for J3 & J8 actuator option.

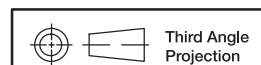
Rocker



G

C&K

16 May 18



Dimensions are shown: Inches (mm)
Specifications and dimensions subject to change