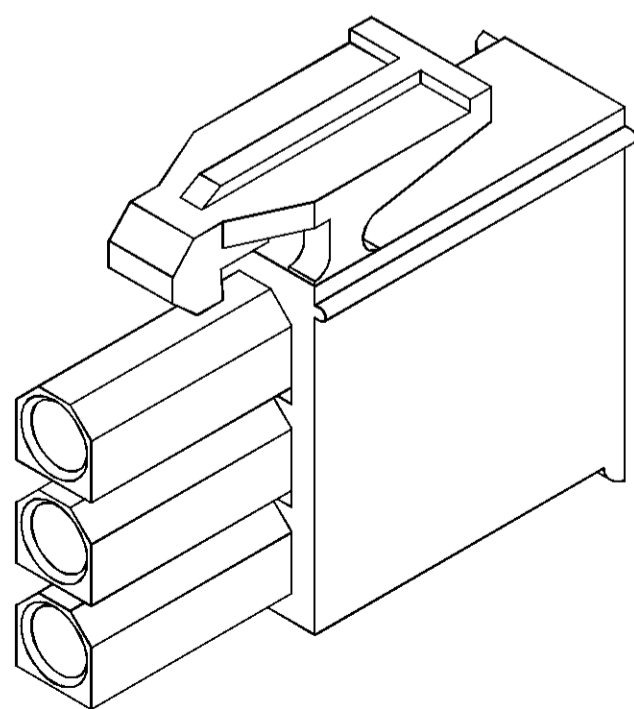
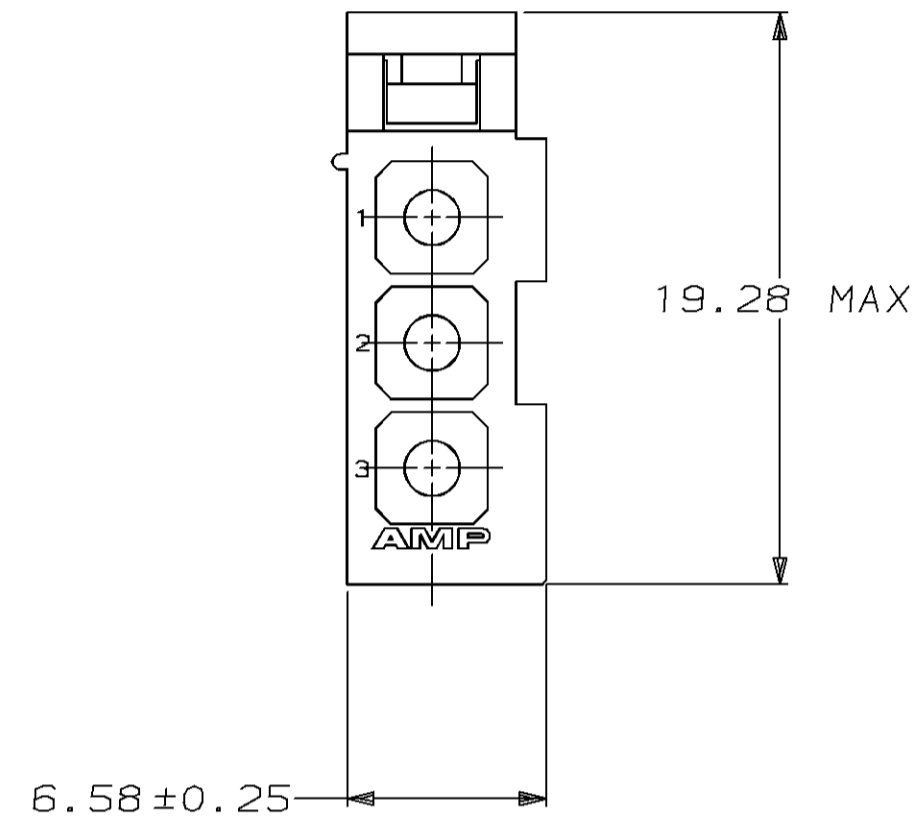
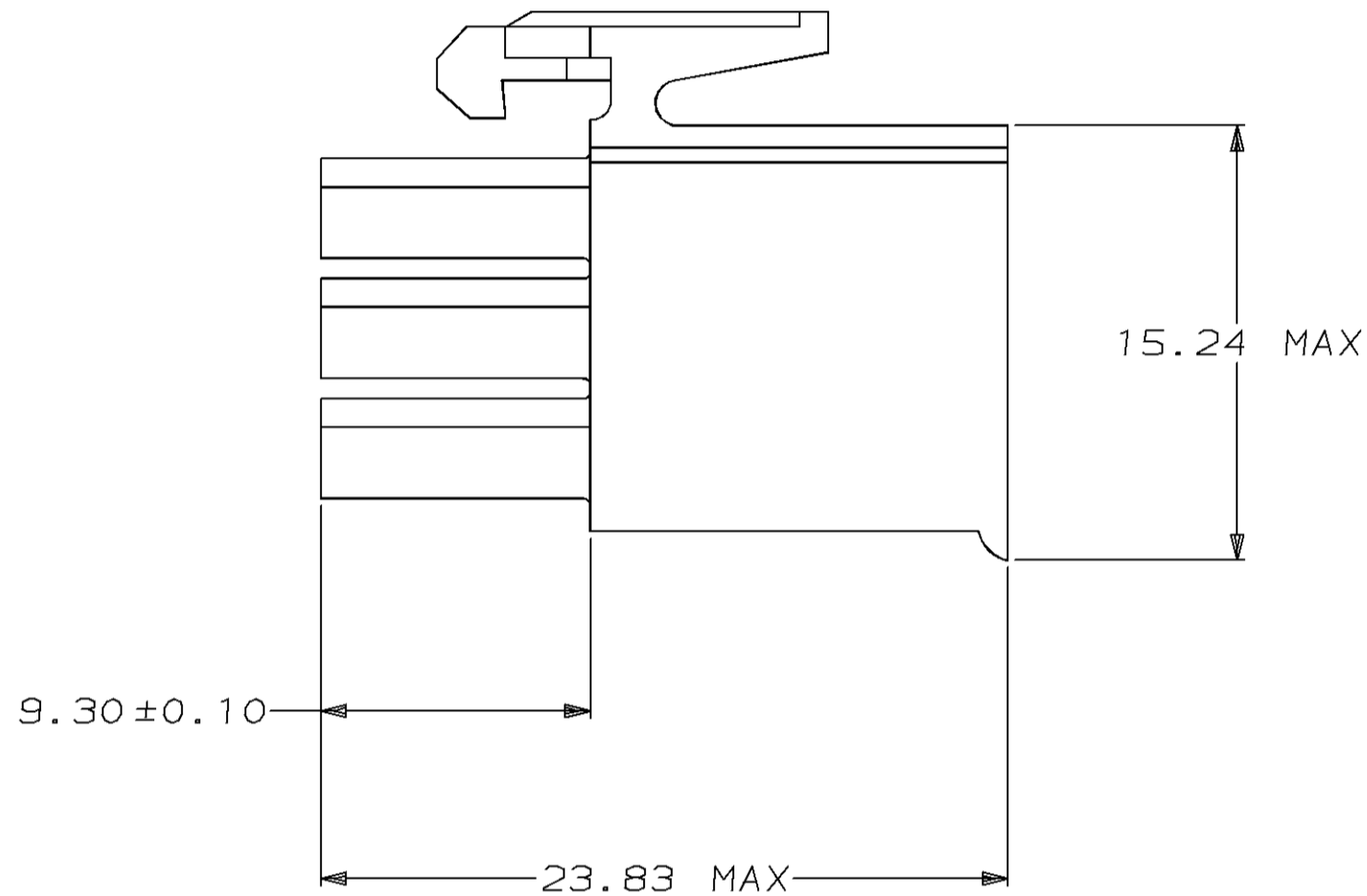
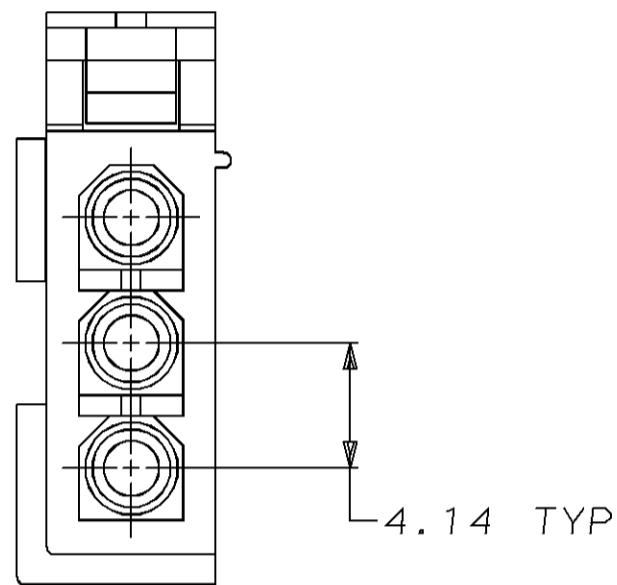


THIS DRAWING IS UNPUBLISHED. RELEASED FOR PUBLICATION
 BY AMP INCORPORATED. ALL RIGHTS RESERVED.

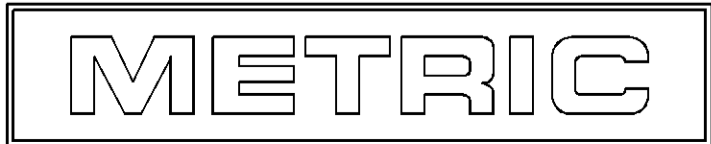
LOC		DST		REVISIONS			
P	LTR	DESCRIPTION		DATE	DWN	APVD	
CM	53	A		REV PER EC CM 0730-0078-95	4-25-95	KS	RS



3-DIMENSIONAL MODEL
NTS

MM	IN	MM	IN
6.58	.259	-	-
4.14	.163	23.83	.938
0.25	.010	19.28	.759
0.13	.005	15.24	.600
0.10	.004	9.30	.366

CONVERSION TABLE



794043-1
PART NUMBER

<small>THIS DRAWING IS A CONTROLLED DOCUMENT FOR AMP INCORPORATED. IT IS SUBJECT TO CHANGE AND THE CONTROLLING ENGINEERING ORGANIZATION SHOULD BE CONTACTED FOR THE LATEST REVISION.</small>		DWN	R. VESTAL	7-27-94	AMP Incorporated Harrisburg, PA 17105-3608
DIMENSIONS:		CHK	R. SWING	7-27-94	
mm		APVD	R. ORSTAD	7-27-94	
		TOLERANCES UNLESS OTHERWISE SPECIFIED:		NAME	
MATERIAL		NYLON, UL 94V-2, WHITE		PRODUCT SPEC	3 CIRCUIT, HIGH TEMP, MINI UNIVERSAL MATE-N-LOK™
FINISH		-		APPLICATION SPEC	
SCALE		4:1		WEIGHT	SIZE
SHEET		1 OF 1		CUSTOMER DRAWING	CAGE CODE
REV		A		DRAWING NO	DRAWING NO
					A2 00779 ©=794043

794043