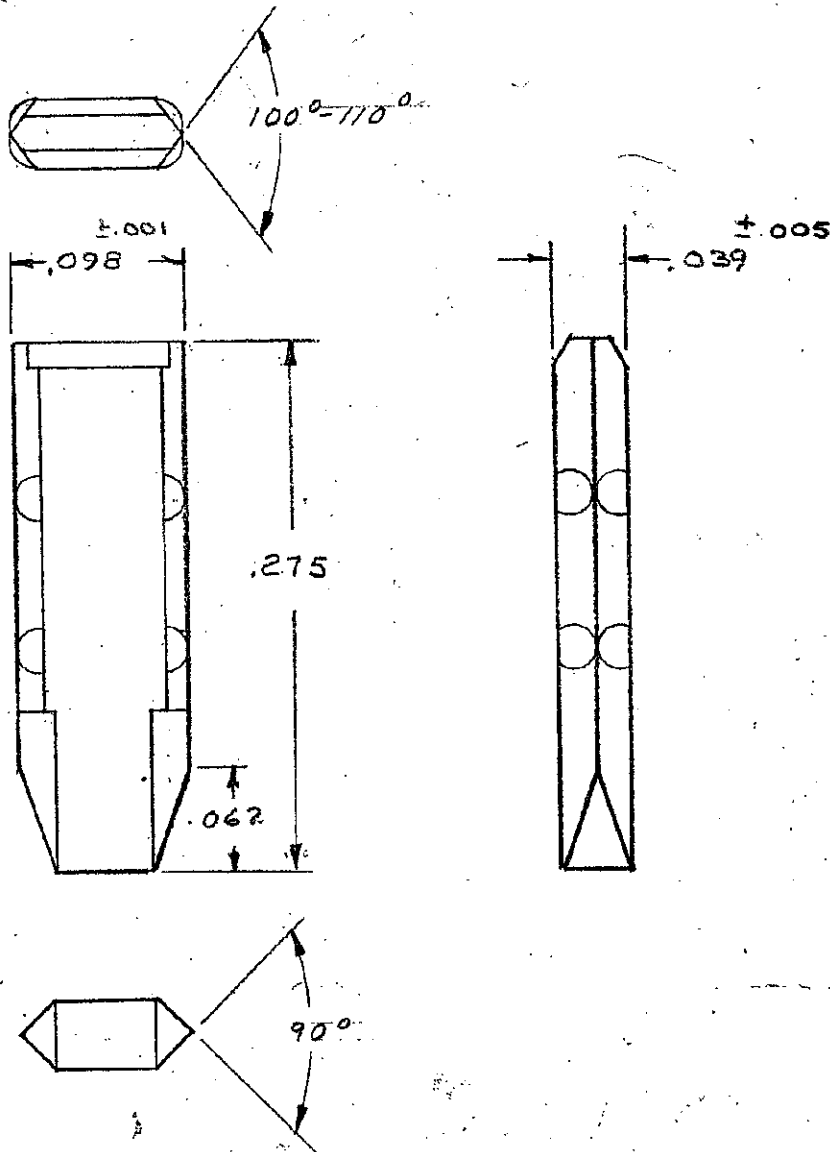


NUMBER
582501

582501 -1 HAS SHOWN



REF Sp MS112-33
DIMENSIONS IN INCHES. DO NOT SCALE PRINT.

©1962 BY AMP INCORPORATED. ALL RIGHTS RESERVED. AMP PRODUCTS COVERED BY PATENTS AND/OR PATENTS PENDING.

CUSTOMER COPY
REFERENCE ONLY

MATERIAL AND FINISH

GLASS FILLED
NYLON



CLASS

WIRE — RANGE — INSULATION

TYPE

TOLERANCE EXCEPT AS NOTED ±.015

SCALE 10-1

LOC FT A

NO

582501

REV

D

NAME

POLARIZING KEY-WEDGE TYPE

SHEET 1 OF 1

PRINT DIST 22

DR	RUNKLE 10-24-62	DR	R. Showman 10-24-62
CHK	J. Kunkle 10-20-62	APP	[Signature] 10/24/62