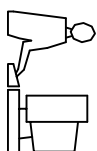
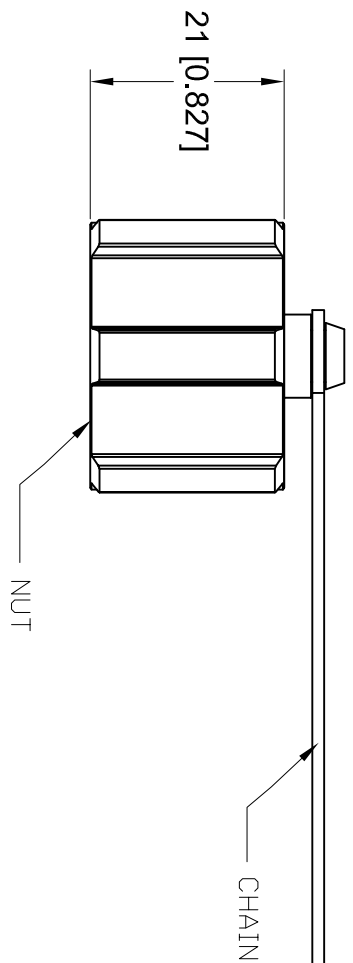
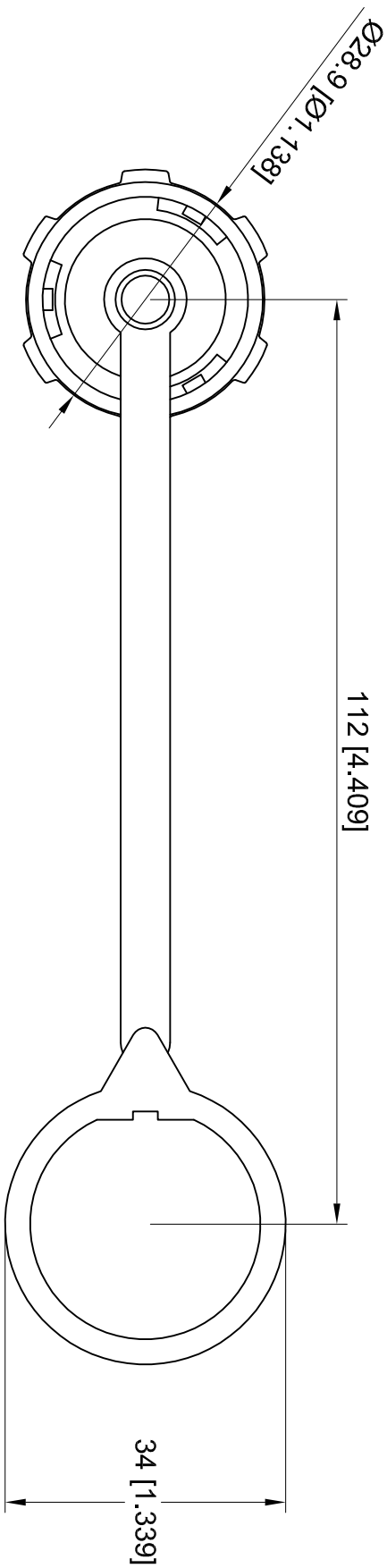


THIS IS A C.A.D. GENERATED DRAWING
DO NOT MAKE MANUAL REVISIONS TO MASTER.
TOLERANCE UNLESS OTHERWISE
SPECIFIED IN MM: ANGLE ±0.5°
0.0 ± 0.20
0.00 ± 0.10
0.000 ± 0.005



| | | |
|---------------------------|--------------|---|
| ISSUE NUMBER | ORIGINAL | ① |
| CHANGE WASHER ORIENTATION | | |
| P.M. | APR. 27/2021 | ② |



DIMENSIONS IN MM [INCHES]

**ENVIRONMENTAL.
OPERATING TEMPERATURE: -20°C ~ 85°C**

MATERIAL
NUT: PBT, BLACK COLOR.
CHAIN: TPU
WASHER: PBT
O-RING: EPDM (Ø21.5*Ø17, THK=3.2)

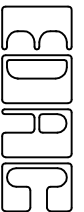
Waterproof USB dust cover (with plastic chains)

| | |
|---------------------|--------------|
| ACAD REFERENCE NO.: | M00-383-001 |
| DRAWN: | N.SONDH |
| DATE: | DEC.02/2013 |
| CHECKED: | R.S.M. |
| DATE: | APR. 27/2021 |

| | | |
|----------------|-------------|--------------|
| PART NUMBER | M00-383-001 | SHEET 1 OF 1 |
| DRAWING NUMBER | M00-383-001 | ISSUE |
| | | 2 |



THIS SERIES FULLY CONFORMS TO THE
EUROPEAN UNION DIRECTIVES
2011/65/EU FOR ROHS COMPLIANCY.



EDAC INC
TORONTO, ONTARIO
CANADA
YOUR CONNECTION TO QUALITY & SERVICE

THESE DRAWINGS AND SPECIFICATIONS
ARE THE PROPERTY OF EDAC INC., AND
SHALL NOT BE REPRODUCED OR COPIED
OR USED AS THE BASIS FOR THE
MANUFACTURE OR SALE OF APPARATUS
WITHOUT WRITTEN PERMISSION.