

- 1
- 2
- 3
- 4
- 5
- 6
- 7
- 8
- 9
- 10
- 11
- 12
- 13
- 14
- 15
- 16
- 17
- 18

MATERIAL

AISI 304 stainless steel.

RIVETS

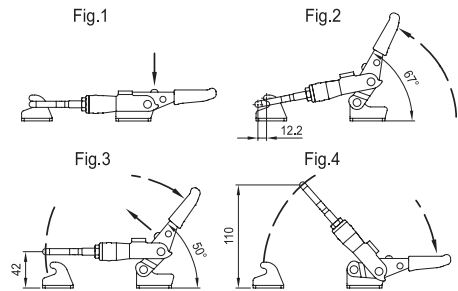
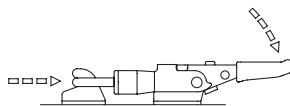
AISI 304 stainless steel.

STANDARD EXECUTIONS

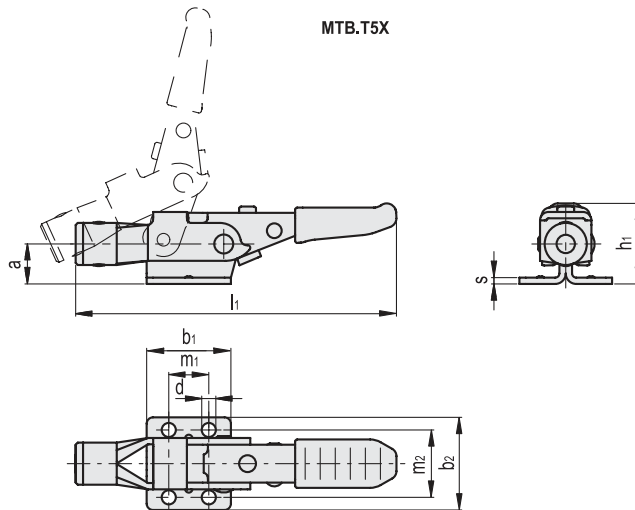
- **MTB.T5X**: without tie rod.
- **MTB.T5X-TG**: with eyelet tie rod.
- **MTB.T5X-TT**: with T tie rod.
- **MTB.T5X-TU**: with hook tie rod.

FEATURES AND APPLICATIONS

All articulated joints are lubricated with special grease. MTB-SST latch clamps are particularly suitable for equipment and applications with strong vibration stresses where it is required to assure the holding of the clamp engagement against accidental opening. By disengaging the safety device, pushing the slider (fig. 1) and using the handle, the clamp opens (fig. 2). By disengaging the safety device (fig. 3) and moving the control lever in the opposite direction (fig. 4), the result is the complete disengagement of the body of the clamp and the clamping plate. To re-engage the clamp, it is necessary to proceed in the opposite way. All these engaging and disengaging operations can be done by using one hand only, since in its movement the eyelet follows the lever. The engaging position can be length-regulated in order to suit better the application by means of a threaded eyelet, locked in place by a locking nut.



MTB.T5X



Toggle clamps

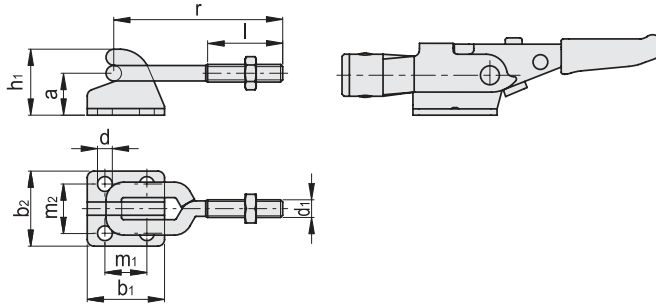
MTB.T5X

INOX STAINLESS STEEL METRIC

Code	Description	a	b1	b2	d	h1	l1	m1	m2	s	FH [N]*	⚖
GG.AS545	MTB.160-T5X	13	26	28	4.5	26.8	103	16	19	2	1750	100
GG.AS550	MTB.320-T5X	19	40	44	6.7	38.5	153	19	32	3	4000	295
GG.AS555	MTB.700-T5X	28	60	54	8.5	53	222	41.5	38.1	3.5	7500	690

* Holding force.

MTB.T5X-TG

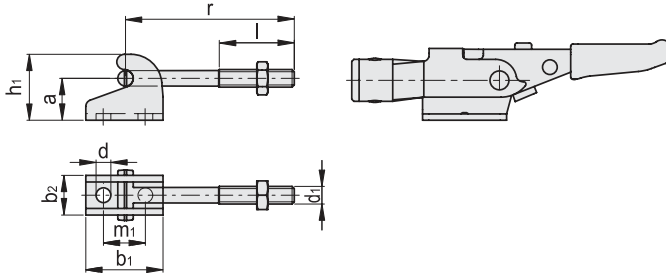


MTB.T5X-TG

INOX STAINLESS STEEL METRIC

Code	Description	a	b1	b2	d	d1	h1	l	m1	m2	r
GG.AS546	MTB.160-T5X-TG	13	26	23	4.5	M6	19.8	28	16	14.3	55.5
GG.AS551	MTB.320-T5X-TG	19	35	34	6.7	M8	30	34	19	22.3	76.5
GG.AS556	MTB.700-T5X-TG	28	50	41	8.5	M10	40.5	42	31	25.4	95.5

MTB.T5X-TT

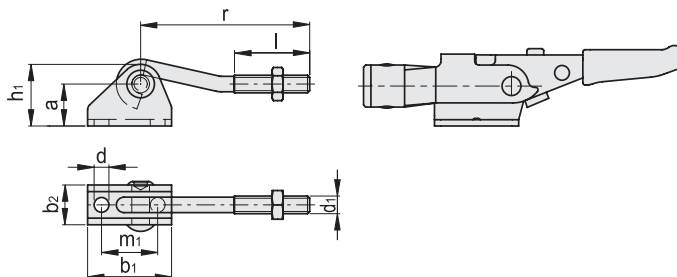


MTB.T5X-TT

INOX STAINLESS STEEL METRIC

Code	Description	a	b1	b2	d	d1	h1	l	m1	r
GG.AS548	MTB.160-T5X-TT	13	26	14	4.5	M6	20	28	16	55
GG.AS553	MTB.320-T5X-TT	19	35	18	6.7	M8	30	34	19	76.5
GG.AS558	MTB.700-T5X-TT	28	50	26	8.5	M10	40.5	42	31	93

MTB.T5X-TU



MTB.T5X-TU

INOX STAINLESS STEEL METRIC

Code	Description	a	b1	b2	d	d1	h1	l	m1	r
GG.AS547	MTB.160-T5X-TU	13	35	14	4.5	M6	20.4	28	25.4	54.5
GG.AS552	MTB.320-T5X-TU	19	38	18	6.7	M8	28	34	25.4	76.25
GG.AS557	MTB.700-T5X-TU	28	50	26	8.5	M10	39	42	31	92.75

* Holding force.



Models all rights reserved in accordance with the law. Always mention the source when reproducing our drawings and photos.

