

**MATERIALS AND FINISHES:**

BODY, COUPLING NUT: BRASS  
PLATED SEE TABLE

CENTER CONTACT: BRASS  
PLATED GOLD  
SEE TABLE

INSULATOR: TEFLON

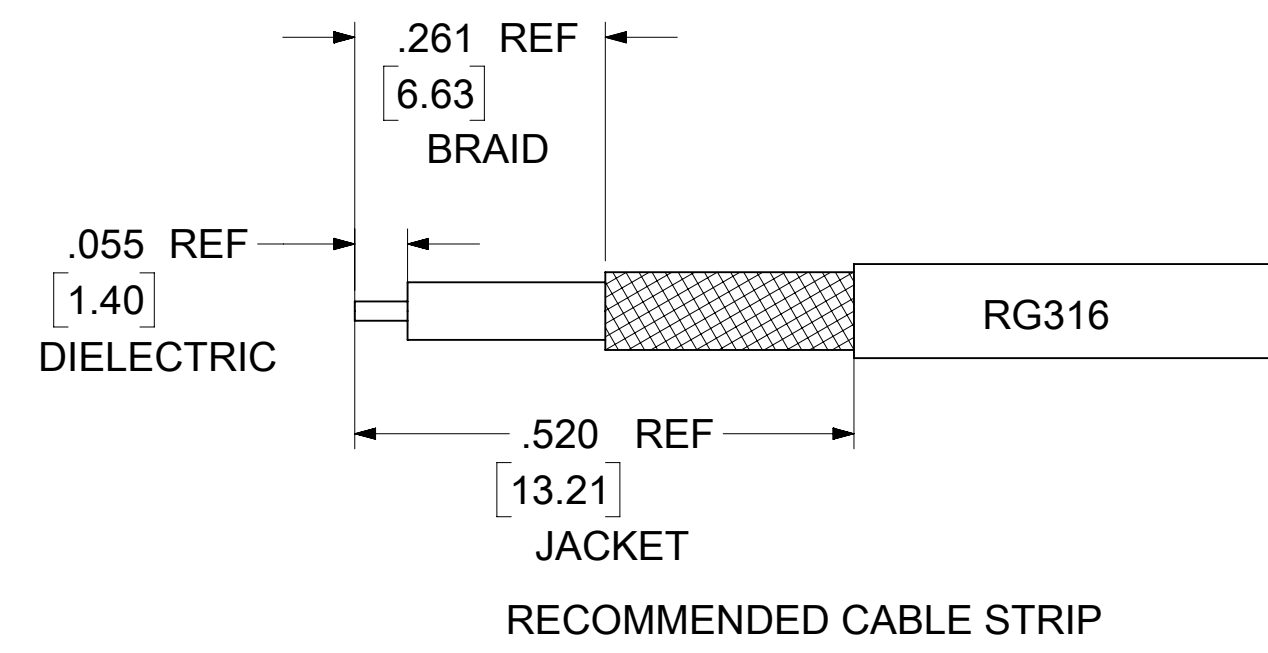
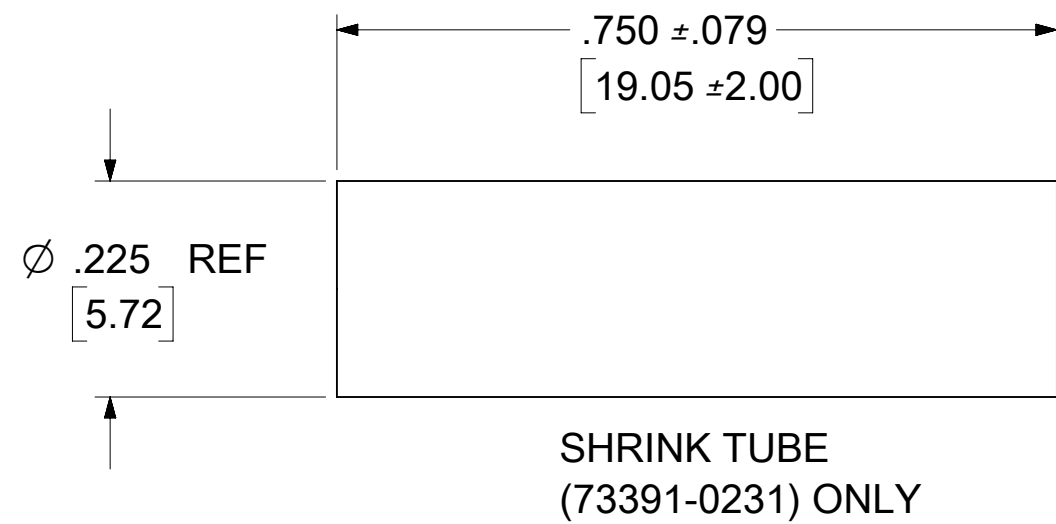
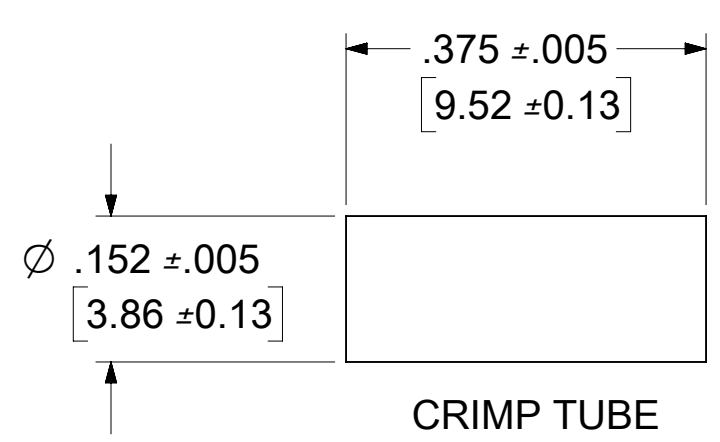
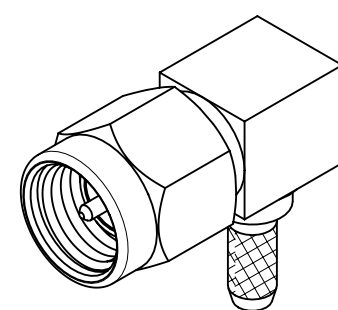
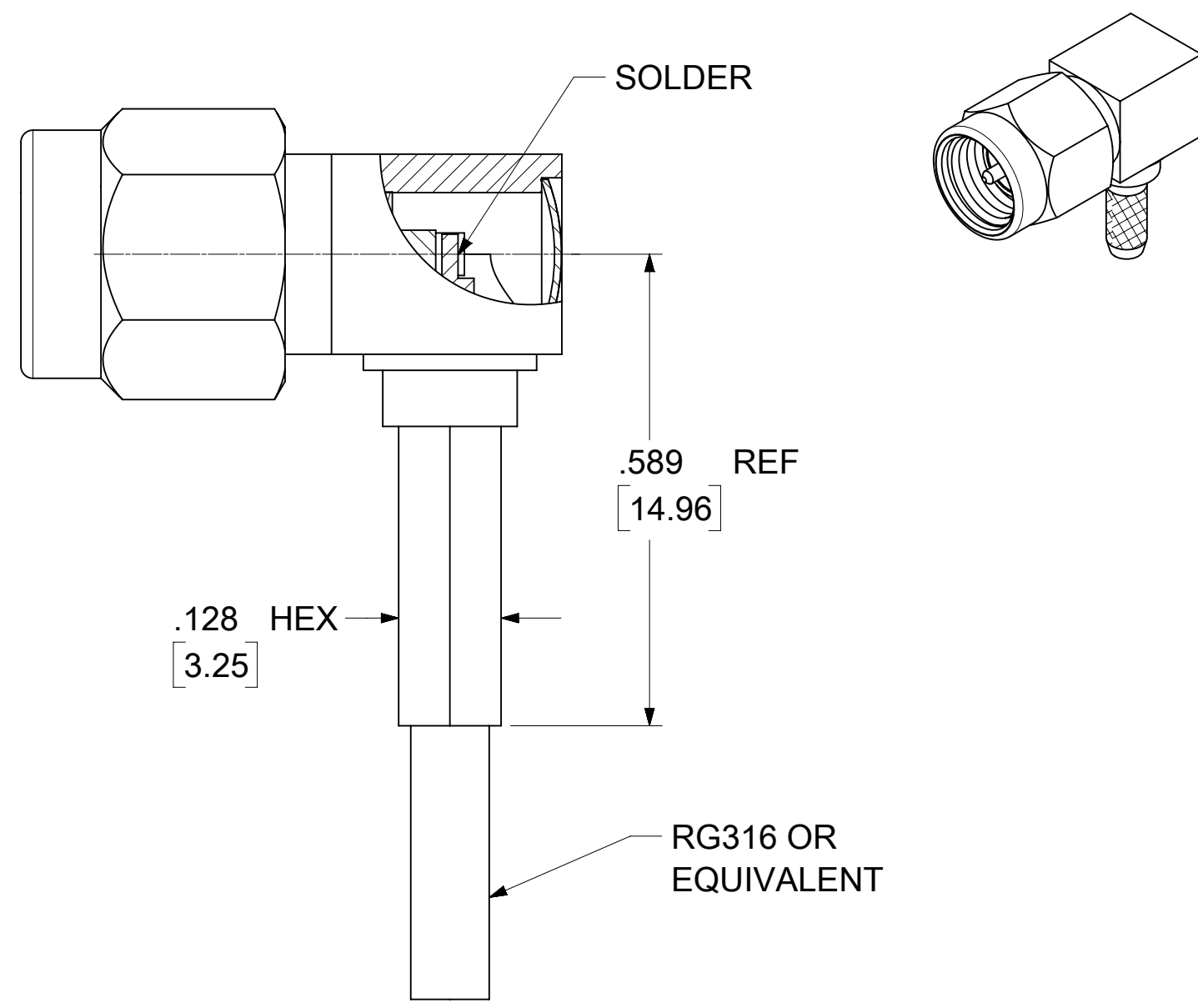
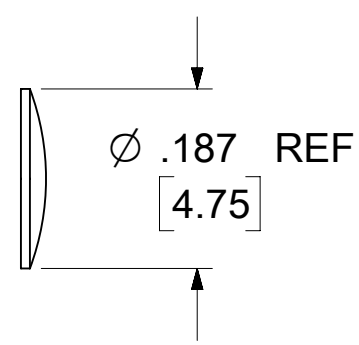
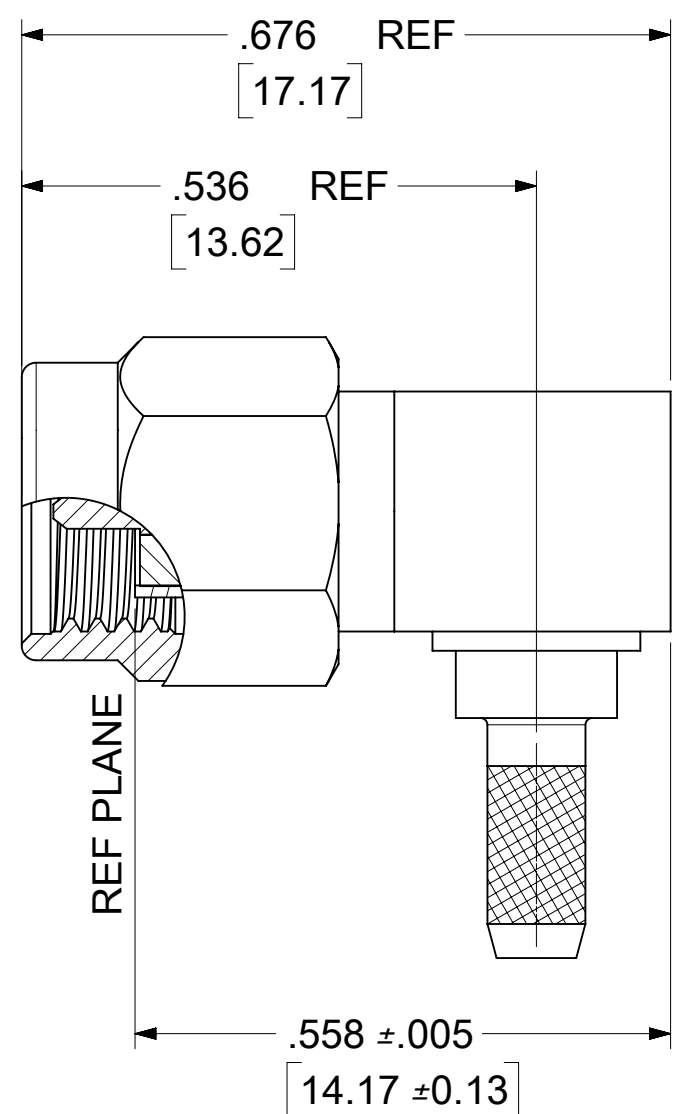
CAP: STAINLESS STEEL  
PASSIVATED

C'RING: BERYLLIUM COPPER

CRIMP TUBE: BRASS  
PLATED SEE TABLE

GASKET: SILICONE RUBBER

SHRINK TUBE: VERSAFIT  
SEE TABLE



73391-0236	NOT INCLUDED	GOLD (5µ" MIN.)	GOLD (5µ" MIN.)	GOLD (30µ" MIN.)	STANDARD TRAY (PER SPEC PK-89542-006)
73391-0235	NOT INCLUDED	NICKEL	NICKEL	GOLD	STANDARD TRAY (PER SPEC PK-89542-006)
73391-0234	NOT INCLUDED	GOLD	NICKEL	GOLD	73391-0230 PACKED ONE PER BAG
73391-0233	NOT INCLUDED	GOLD	GOLD	GOLD	STANDARD TRAY (PER SPEC PK-89542-006)
73391-0232	NOT INCLUDED	GOLD	NICKEL	GOLD	73391-0230 PACKED IN SMALL TRAY (20 CAVITY)
73391-0231	INCLUDED	GOLD	NICKEL	GOLD	STANDARD TRAY (PER SPEC PK-89542-006)
73391-0230	NOT INCLUDED	GOLD	NICKEL	GOLD	STANDARD TRAY (PER SPEC PK-89542-006)
PART NO.	SHRINK TUBE	BODY & NUT	CRIMP TUBE	CONTACT	PACKAGING
		PLATING	PLATING	PLATING	

\* THE GOLD PLATING IS 1µ" MIN. EXCEPT FOR 73251-0236

PS-89675-3460	ELECTRICAL/MECHANICAL
MIL-STD-348A, FIG. 310-1	INTERFACE
SPECIFICATION	DESCRIPTION

A8	2020/04/23	ADD -0236 PER EWR13738-B
REV.	DATE	DESCRIPTION

FUNCTIONAL SYMBOLS	THIS DRAWING CONTAINS INFORMATION THAT IS PROPRIETARY TO MOLEX ELECTRONIC TECHNOLOGIES, LLC AND SHOULD NOT BE USED WITHOUT WRITTEN PERMISSION		CURRENT REV DESC:		
$\frac{E}{A} = 0$ $\frac{E}{C} = 0$ $\frac{E}{P} = 0$	DIMENSION UNITS: <b>INCH</b> SCALE: <b>NTS</b>	GENERAL TOLERANCES (UNLESS SPECIFIED) ANGULAR TOL ± 2.0° 4 PLACES ± 3 PLACES ± 0.01 2 PLACES ± 1 PLACE ± 0 PLACES ±		EC NO: 637132 DRWN: CWEI02 2020/04/23 CHK'D: YCHENG 2020/05/20 APPR: YCHENG 2020/05/20	
DIVISIONAL SYMBOLS	DRAFT WHERE APPLICABLE MUST REMAIN WITHIN DIMENSIONS		THIRD ANGLE PROJECTION	DRAWING: <b>C-SIZE</b> SERIES: <b>73391</b>	PRODUCT CUSTOMER DRAWING DOCUMENT NUMBER: <b>SD-73391-023</b> DOC TYPE: PSD DOC PART: 001 REVISION: <b>A8</b>
					MATERIAL NUMBER: SEE TABLE CUSTOMER: GENERAL MARKET SHEET NUMBER: 1 OF 1