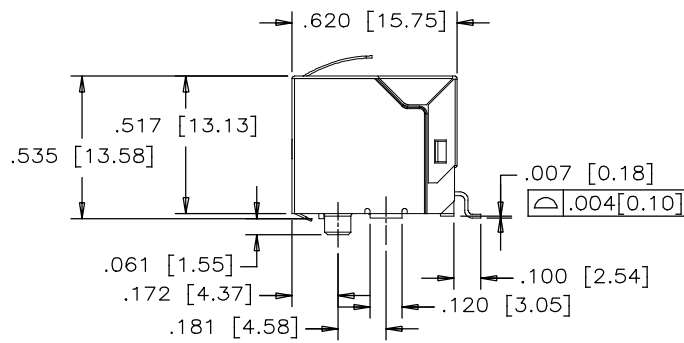
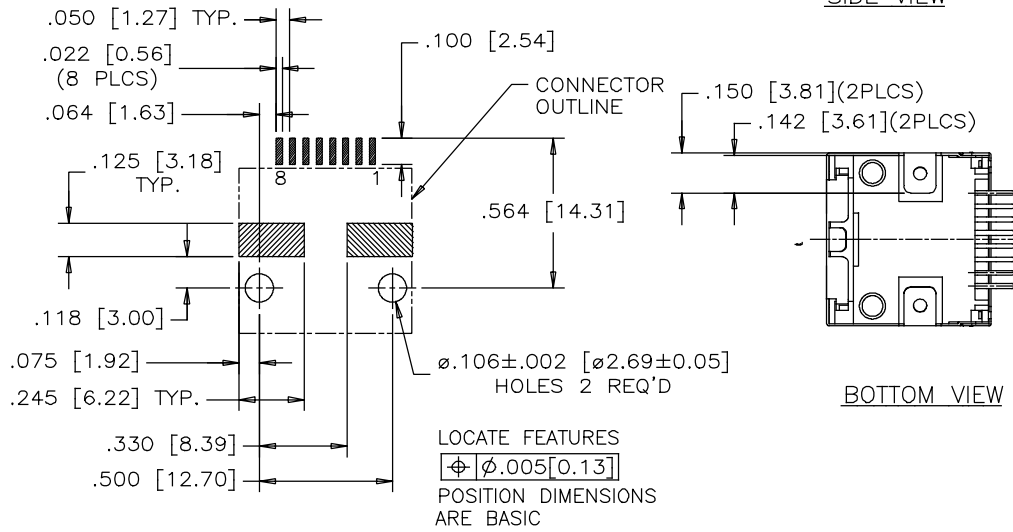


FRONT VIEW

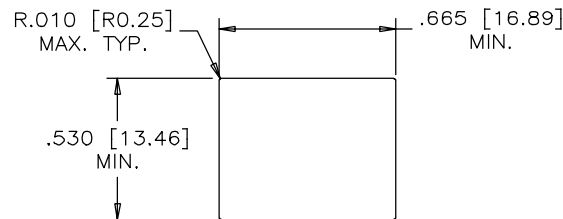


SIDE VIEW



BOTTOM VIEW

RECOMMENDED P.C.B. LAYOUT  
(COMPONENT SIDE OF BOARD)



RECOMMENDED PANEL CUTOUT

REVISIONS				
SYM	ZONE	ECN, ERN NO.	DATE	APPRD.
B		REVISED	2005/07/17	L.CHAN
C		REVISED BOTTOM VIEW	2005/07/25	L.CHAN
D		UPDATE DRAWING	2015/3/12	L.CHAN
E		CORRECT DIMENSION	2016/01/15	L.CHAN
F		CORRECT DRAWING	2016/09/27	L.CHAN



**MATERIALS:**

PLASTIC HOUSING: ENGINEERING THERMOPLASTIC  
FLAMMABILITY RATING UL 94V-0

**CONTACTS:**

PHOSPHOR BRONZE  
PLATING: 20 μ" [0.51 MICRONS]  
MIN. GOLD ON MATING SURFACES.  
50 μ" [1.27 MICRONS]  
MIN. NICKEL UNDERPLATE  
100 μ" [2.54 MICRONS]  
MIN. MATTE TIN ON CONTACT TAILS.

**SHIELD:**

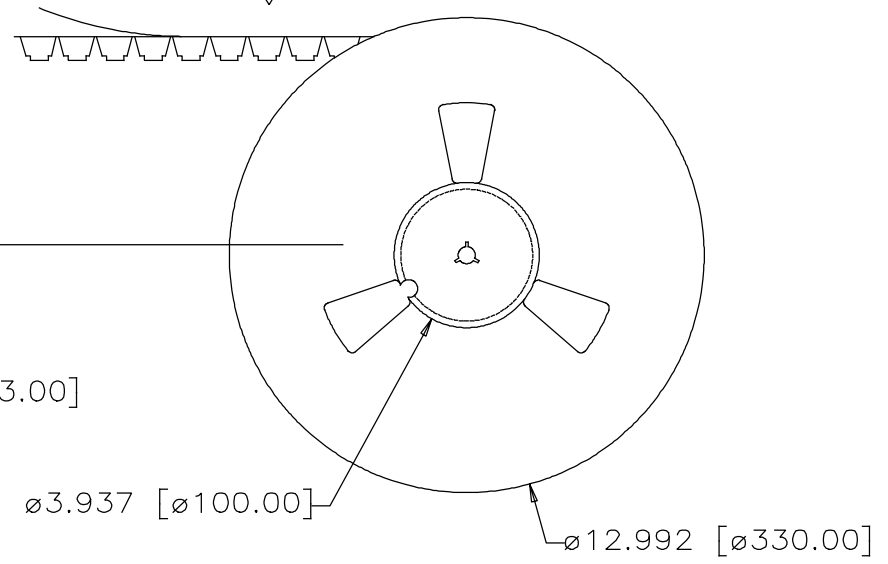
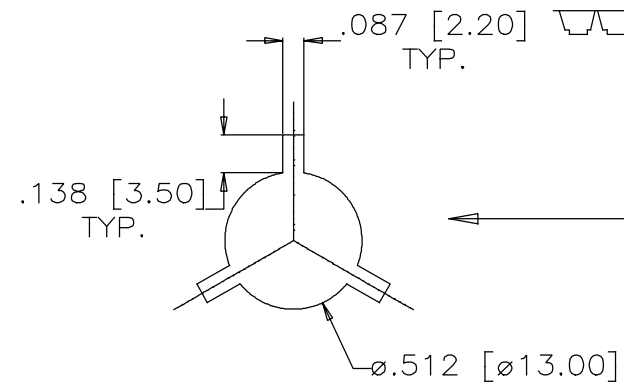
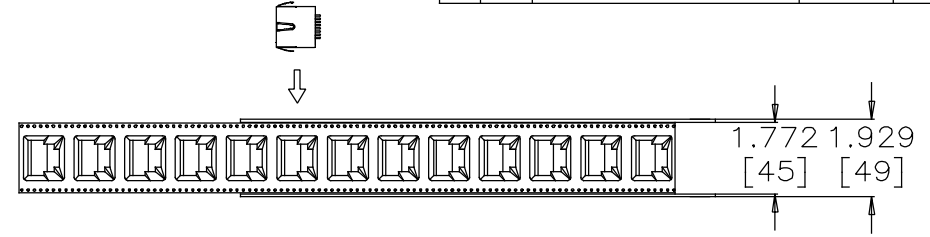
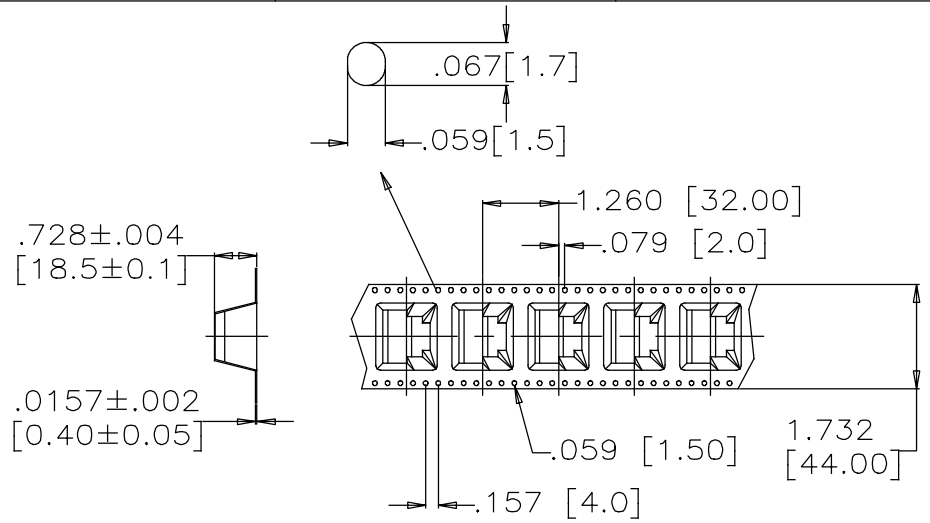
COPPER ALLOY  
PLATING: NICKEL

PART NUMBER: RJSSE-5380-01T

DRAWN	Chigow	DATE	2005/07/25	Amphenol Canada Corp.	
DESIGNED					
CHECKED	L.CHAN	DATE	2005/07/25	TITLE	
I. E. APPRD.					
Q. A. APPRD.				SINGLE PORT, SURFACE MOUNT RJ45 8 POSITION, 8 CONTACTS, SHIELDED TAPE & REEL PACKAGING, RoHS COMPLIANT	
DWG. APPRD.					
ENG. REL. NO.		DWG	DRAWING NO.	REV.	
REF.			P-RJSSE-5380-01T	F	
DIMENSIONS ARE IN INCHES [mm]	CODE ID. NO.	SCALE	WT.	SURF.	SHEET 1 OF 2
	03554				

THIS DOCUMENT CONTAINS PROPRIETARY INFORMATION AND SUCH INFORMATION MAY NOT BE DISCLOSED TO OTHERS FOR ANY PURPOSE OR USED FOR MANUFACTURING PURPOSES WITHOUT WRITTEN PERMISSION FROM AMPHENOL CANADA CORP.

REVISIONS				
SYM	ZONE	ECN, ERN NO.	DATE	APPRD.
B		REVISED	2005/07/17	L.CHAN
C		REVISED BOTTOM VIEW	2005/07/25	L.CHAN
D		UPDATE DRAWING	2015/03/12	L.CHAN
E		CORRECT DIMENSION	2016/01/15	L.CHAN
F		CORRECT DRAWING	2016/09/27	L.CHAN



PACKAGING NOTES:

1. ONE REEL SHOULD HOLD 100 CONNECTORS.
2. 10 EMPTY CAVITIES FOR BOTH TOP AND BOTTOM OF THE CARRIER.
3. A FULLY LOADED CARTON SHOULD CONTAIN 6 REELS (600 PCS) OF CONNECTOR.

MATERIAL -----	DRAWN <i>Chigow</i>	DATE 05/07/25	Amphenol Canada Corp.		
	DESIGNED				
FINISH -----	CHECKED <i>L.CHAN</i>	05/07/25	TITLE SINGLE PORT, SURFACE MOUNT RJ45 8 POSITION, 8 CONTACTS, SHIELDED TAPE & REEL PACKAGING, RoHS COMPLIANT		
	I. E. APPRD. X	x			
	Q. A. APPRD. X	x			
	DWG. APPRD. X	x			
	ENG. REL. NO. X				
	REF.				
	DIMENSIONS ARE IN INCHES [mm]	CODE ID. NO. 03554	DWG. C	DRAWING NO. P-RJSSE-5380-01T	REV. F
	SCALE	WT. -----	SURF. -----	SHEET 2 OF 2	

THIS DOCUMENT CONTAINS PROPRIETARY INFORMATION AND SUCH INFORMATION MAY NOT BE DISCLOSED TO OTHERS FOR ANY PURPOSE OR USED FOR MANUFACTURING PURPOSES WITHOUT WRITTEN PERMISSION FROM AMPHENOL CANADA CORP.