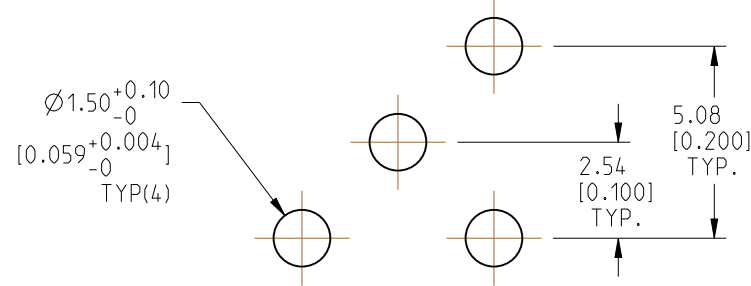


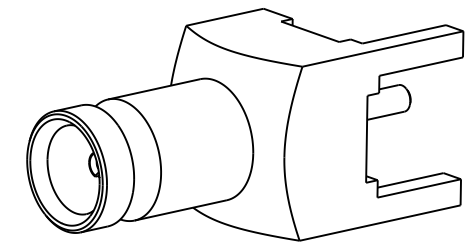
NOTES:

1. MATERIALS AND FINISHES:
 BODY - BRASS, GOLD PLATING
 CONTACT - BeCu, GOLD PLATING
 INSULATOR - PTFE, NATURAL
2. ELECTRICAL:
 A. IMPEDANCE: 75 OHM
 B. FREQUENCY RANGE: DC - 3 GHz
 C. VSWR: 1.15 MAX.
 D. DIELECTRIC WITHSTANDING VOLTAGE: 750 VRMS, MIN.
3. MECHANICAL:
 A. DURABILITY: 500 CYCLES MIN.
 B. TEMPERATURE RANGE: -40°C TO +155°C
4. PACKAGING:
 A. QUANTITY: SINGLE PACK
 B. MARKING: PACKAGING TO BE MARKED
 FOR NORTH AMERICA: "AMPHENOL RF, 282127-75-10 AND DATE CODE"
 FOR ASIA AND EUROPE: "AMPHENOL RF, 1236251B1-004-3GT10G-75 AND DATE CODE"

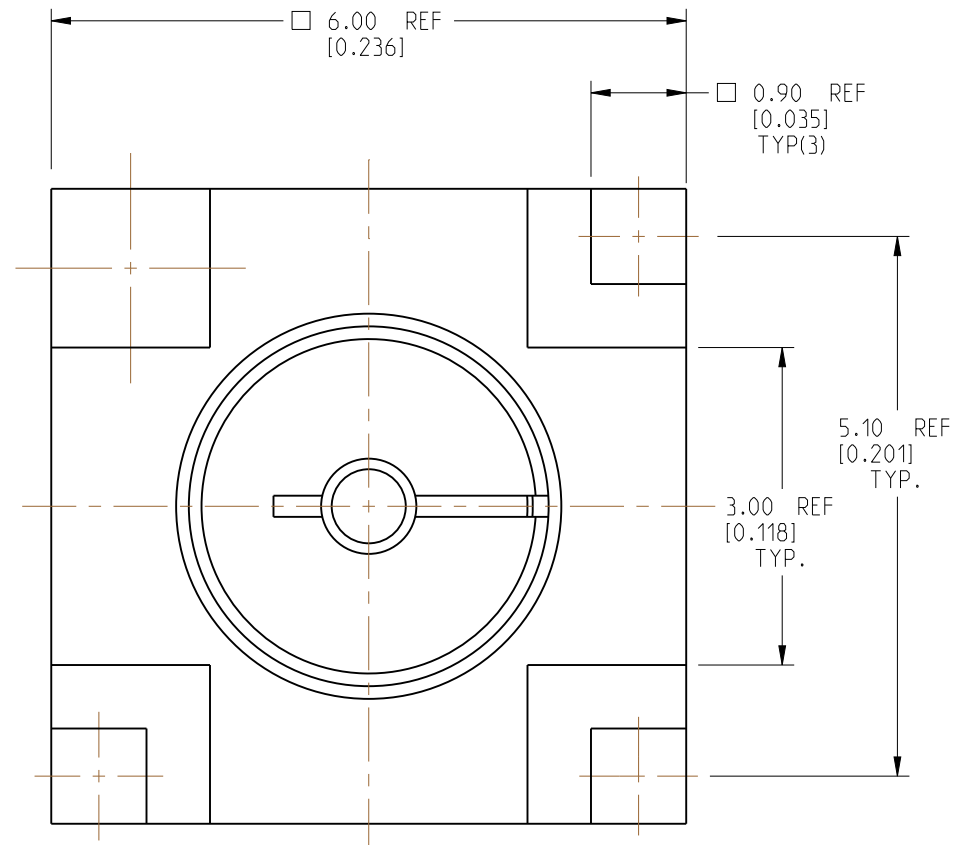
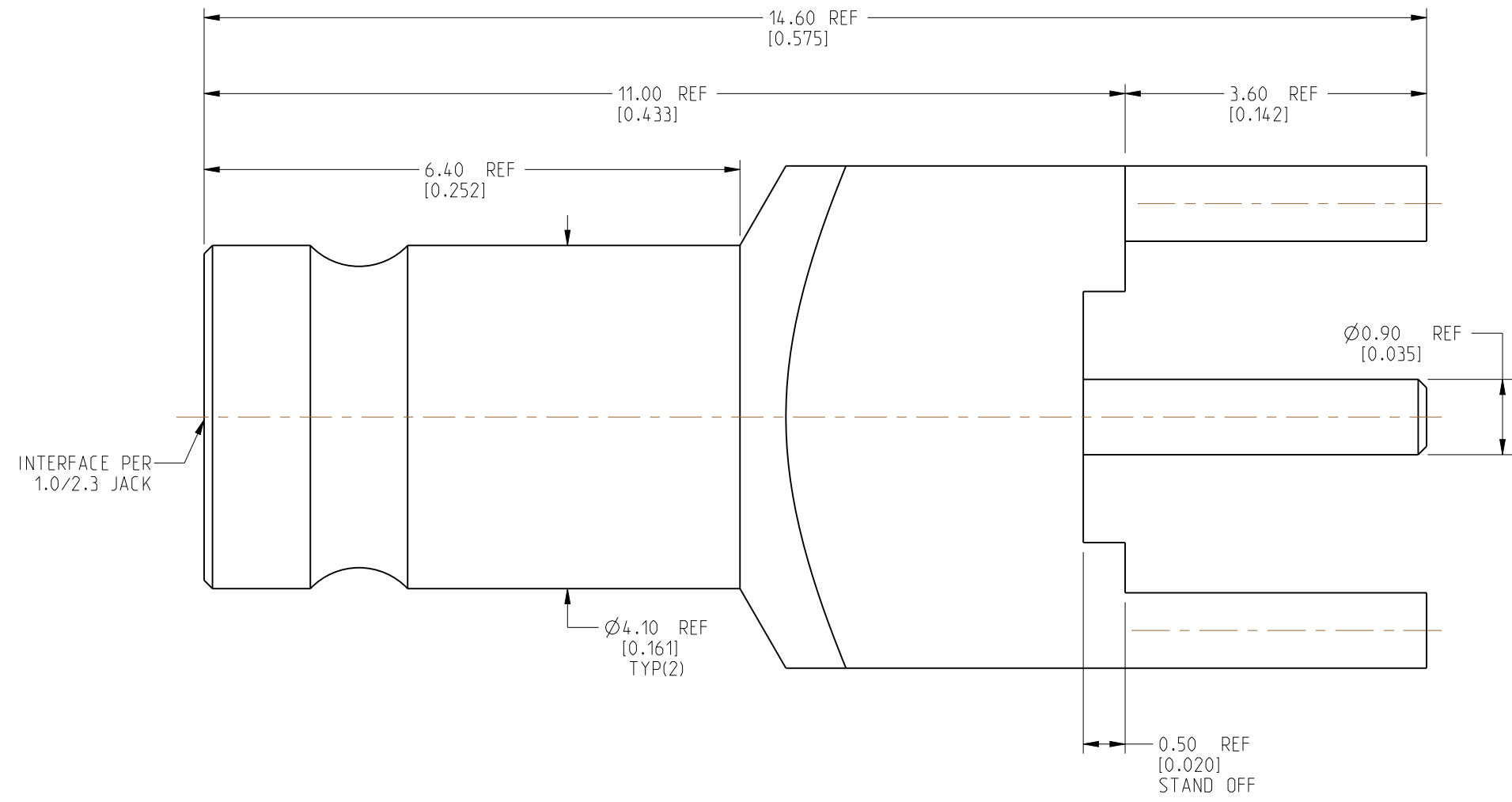


RECOMMENDED PCB MOUNTING HOLE DIMENSIONS

REVISIONS				
REV	DESCRIPTION	DATE	ECN	APPR
A	RELEASE TO MFG.	23-MAR-11	--	MZ
B	SYNCH ARFA & DANBURY DRAWING	09-SEP-20	15318	VK



SCALE 4.000



CUSTOMER OUTLINE DRAWING
 ALL OTHER SHEETS ARE FOR INTERNAL USE ONLY

NOTICE: These drawings, specifications, or other data (1) are, and remain the property of Amphenol corp. (2) must be returned upon request; and (3) are confidential and not to be disclosed to any person other than those to whom they are given by Amphenol Corp. The furnishing of these drawings, specifications, or other data by Amphenol Corp., or to any other person to anyone for any purpose is not to be regarded by implication or otherwise in any manner licensing, granting rights to permitting such holder or any other person to manufacture, use or sell any product, process or design, patented or otherwise, that may in any way be related to or disclosed by said drawings, specifications, or other data.

UNLESS OTHERWISE SPECIFIED DIMENSIONS ARE METRIC (INCHES) AND TOLERANCES ARE:
 <math><0.5\text{mm} = \pm 0.05\text{mm} \quad [<0.020 = \pm 0.002]</math>
 $>0.5 - 6\text{mm} = \pm 0.1\text{mm} \quad [>0.020 - 0.236 = \pm 0.004]$
 $>6.00 - 30\text{mm} = \pm 0.2\text{mm} \quad [>0.236 - 1.181 = \pm 0.008]$
 $>30.00 - 120\text{mm} = \pm 0.3\text{mm} \quad [>1.181 - 4.725 = \pm 0.012]$

ANGLES = $\pm 1^\circ$

MATERIAL: SEE NOTES
 ENGINEER: S.LI
 DATE: 23-MAR-11

TITLE: 75 OHM 1.0/2.3 STR JACK PCB MOUNT WITH 3 LEGS
 SHEET NO. 2 OF 2
 SCALE: 14.0:1.0

Amphenol RF
 DRAWING NO. 1236251B1-004-3GT10G-75
 ITEM NO. 106251ABBA1ER7F
 PART NO. 282127-75-10
 REV: B