

This drawing involves proprietary design rights of Tyco Electronics Corporation, and all design, manufacture, reproduction, use and sale rights regarding the same are expressly reserved. It is submitted for a specific purpose and the recipient by accepting this drawing, assumes custody and control and agrees to take reasonable precautions; (a) that this drawing will not be copied and reproduced, in whole or in part, or its contents revealed in any manner, or to any person except to meet the purpose for which it was delivered and (b) that any special features peculiar to this design will not be incorporated in other projects without the expressed written permission of Tyco Electronics Corporation.

REVISIONS			
EC	REV	DESCRIPTION	DATE
—	A	NEW RELEASE	12/23/05
CPR	B	ADDED NOTE 5 AND CORRESPONDING DESIGNATIONS	3/8/06

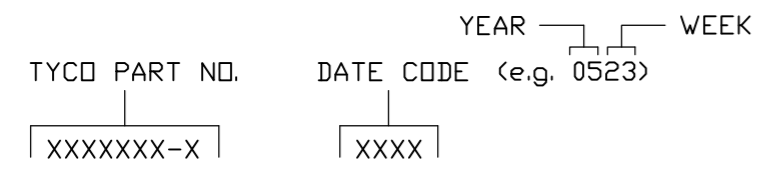
6. CONNECTOR INFORMATION

CONNECTOR	TYCO PART NUMBER	CONFIGURATION REF #	CONTACT	POSITION	CONTACT PITCH	VOLTAGE RATING*
SOCKET	1926018-1	MPK004	SIGNAL	9-32	2.50 [.098]	60 VOLTS
			POWER	1-2, 3-4 5-6, 7-8	4.50 [.177]	COMMON

*IAW UL 60950

NOTES: UNLESS OTHERWISE SPECIFIED.

- PART NUMBER CHANGES AND OR DESIGN CHANGES AFFECTING ITEM INTERCHANGEABILITY REQUIRE PRIOR ELCON APPROVAL AND AUTHORIZATION BY REVISION TO THIS DRAWING.
- MATERIALS:
 INSULATORS: THERMOPLASTIC, GLASS REINFORCED, COLOR BLACK. UL94V-0 FLAMMABILITY RATED.
 SIGNAL CONTACTS: BRASS ALLOY.
 POWER CONTACTS: COPPER ALLOY.
- FINISHES:
 CONTACT PLATING: GOLD PLATED PER MIL-G-45204 TYPE II, CLASS 0, .000030" MIN. THICKNESS OVER NICKEL, PER QQ-N-290.
 TERMINALS: TIN PLATE, MATTE FINISH .000100" MIN. THICKNESS.
- ITEMS PROVIDED TO THIS SPECIFICATION TO BE PERMANENTLY IDENTIFIED PER THE FOLLOWING IDENTIFIER.



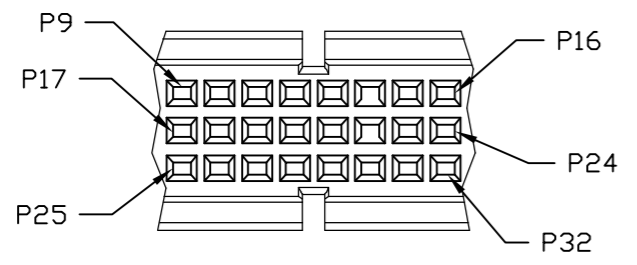
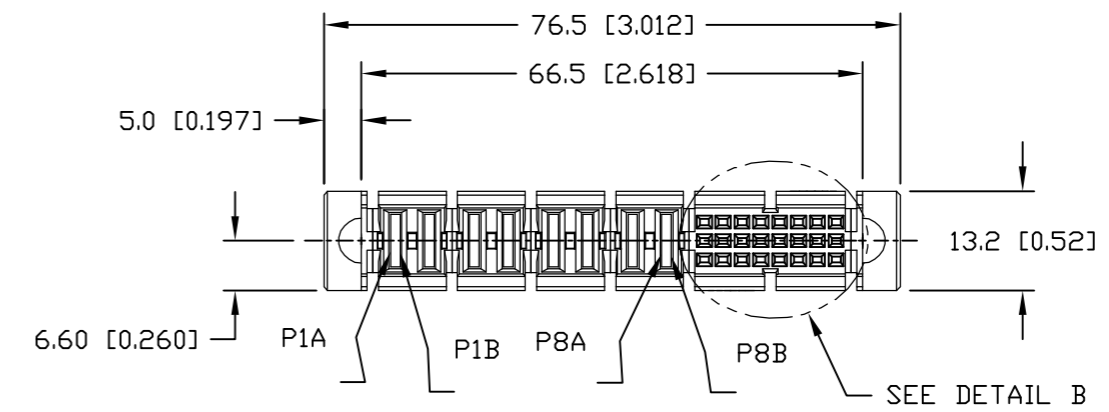
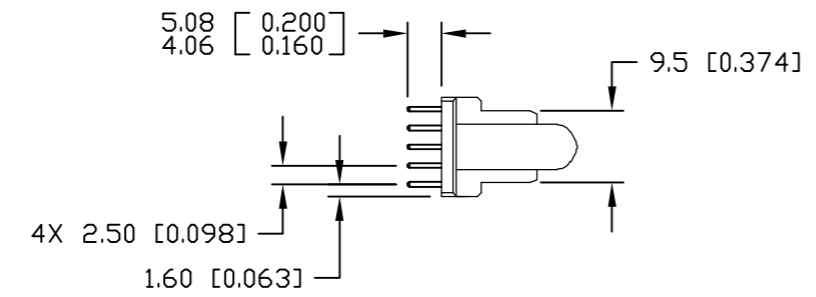
- 5 PINS INTERNAL TO DASHED LINE ARE SHORTED TO EACH OTHER.
 1B IS SHORTED TO 2A.
 3B IS SHORTED TO 4A.
 5B IS SHORTED TO 6A.
 7B IS SHORTED TO 8A.

TYCO PART NUMBER
1926018-1

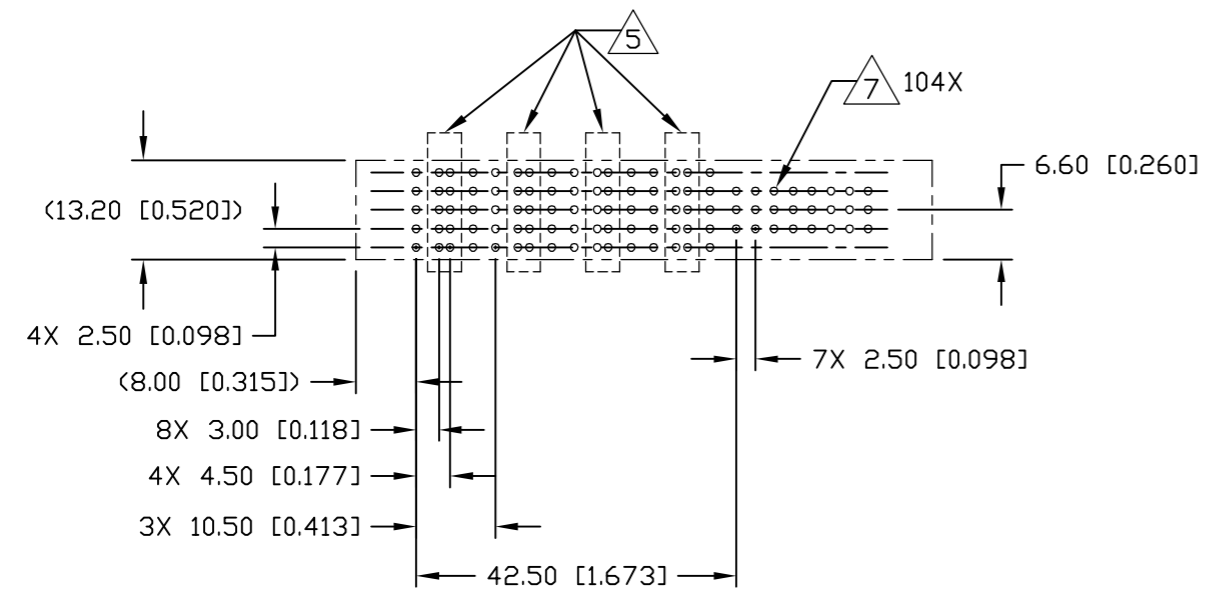
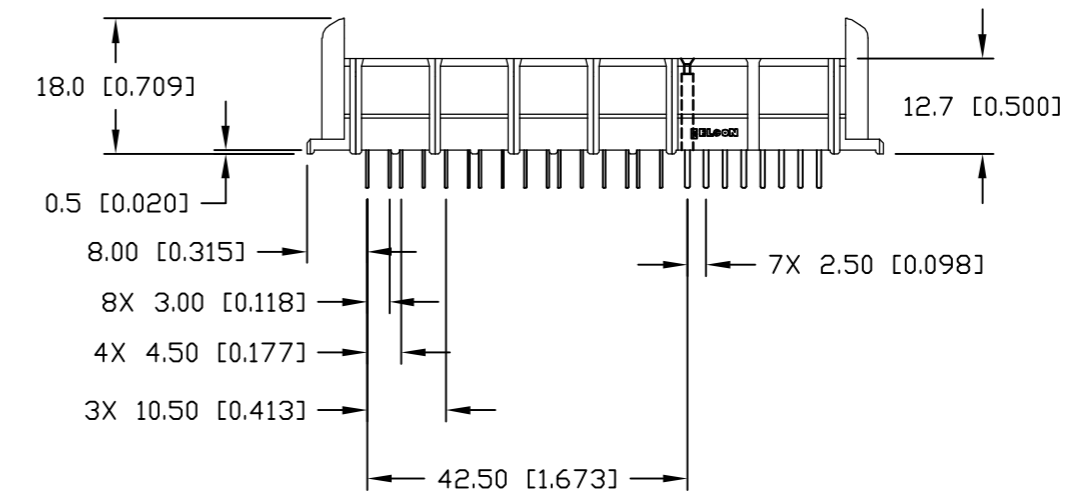
<p>THIRD ANGLE PROJECTION</p> <p>UNLESS OTHERWISE SPECIFIED DIMENSIONS ARE IN METRIC [INCHES]</p> <p>TOLERANCES</p> <p>ANGLES ± .5°</p> <p>DECIMALS</p> <p>.XX ± .25 [.010]</p> <p>.X ± .5 [.020]</p>	<p>← MM OR MM [INCH]</p> <p>INCH</p>	<p>DRAWN</p> <p>R. F. A.</p>	<p>DATE</p> <p>12/23/05</p>	<p>Tyco Electronics Corporation Menlo Park, Ca 94025</p>
	<p>CHECKED</p>		<p>TITLE</p> <p>MINIPAK SOCKET CONNECTOR STRAIGHT, SOLDER TAILS</p>	
	<p>APPROVED</p>		<p>SIZE</p> <p>B</p>	
	<p>APPROVED</p>		<p>DWG NUMBER</p> <p>C = 1926018</p>	
<p>DCA APPROVED</p>		<p>REV.</p> <p>B</p>		<p>ACAD FILE NUMBER</p> <p>C1926018B.DWG</p>
		<p>DWG SCALE</p> <p>1=1</p>		<p>SH 1 OF 3</p>

This drawing involves proprietary design rights of Tyco Electronics Corporation, and all design, manufacture, reproduction, use and sale rights regarding the same are expressly reserved. It is submitted for a specific purpose and the recipient by accepting this drawing, assumes custody and control and agrees to take reasonable precautions; (a) that this drawing will not be copied and reproduced, in whole or in part, or its contents revealed in any manner, or to any person except to meet the purpose for which it was delivered and (b) that any special features peculiar to this design will not be incorporated in other projects without the expressed written permission of Tyco Electronics Corporation.

REVISIONS			
EC	REV	DESCRIPTION	DATE
		SEE SHEET 1	



DETAIL B

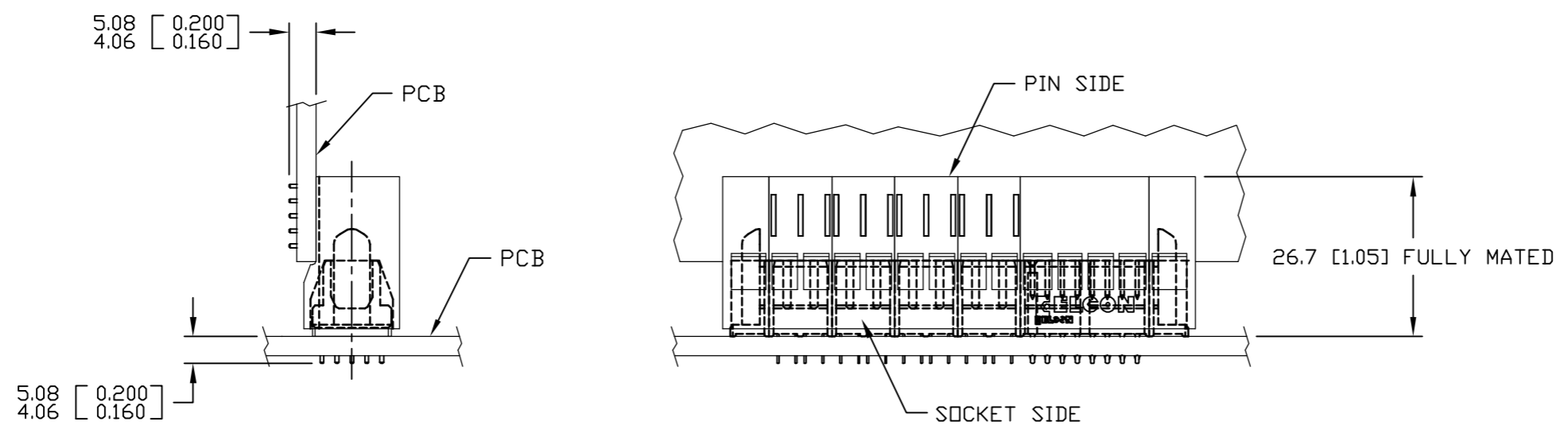


RECOMMENDED PC LAYOUT

← MM OR MM [INCH] THIRD ANGLE PROJECTION UNLESS OTHERWISE SPECIFIED DIMENSIONS ARE IN METRIC [INCHES] TOLERANCES ANGLES ± .5° DECIMALS .XX ± .25 [0.010] .X ± .5 [0.020]	DRAWN R. F. A.	DATE 12/23/05	Tyco Electronics Corporation Menlo Park, Ca 94025		
	CHECKED		TITLE MINIPAK SOCKET CONNECTOR STRAIGHT, SOLDER TAILS		
	APPROVED		SIZE B	DWG NUMBER C = 1926018	REV. B
	APPROVED		ACAD FILE NUMBER C1926018B.DWG		
			DWG SCALE 1=1	SH 2 OF 3	

This drawing involves proprietary design rights of Tyco Electronics Corporation, and all design, manufacture, reproduction, use and sale rights regarding the same are expressly reserved. It is submitted for a specific purpose and the recipient by accepting this drawing, assumes custody and control and agrees to take reasonable precautions; (a) that this drawing will not be copied and reproduced, in whole or in part, or its contents revealed in any manner, or to any person except to meet the purpose for which it was delivered and (b) that any special features peculiar to this design will not be incorporated in other projects without the expressed written permission of Tyco Electronics Corporation.

REVISIONS			
EC	REV	DESCRIPTION	DATE
		SEE SHEET 1	



MATED CONDITION

DETAIL A

7 SOLDER TERMINATION AREA
RECOMMENDED PRINTED CIRCUIT HOLE

- FINISHED HOLE: $\phi 1.02$ [0.040] ± 0.08 [0.003]
- DRILLED HOLE: $\phi 1.15$ [0.0453] ± 0.13 [0.005]
- COPPER PLATE: .025-.050 [0.001-.002] MINIMUM (PER SURFACE)
- TIN PLATE: .0005 [0.0002] MINIMUM (PER SURFACE)

← MM OR MM [INCH] INCH THIRD ANGLE PROJECTION UNLESS OTHERWISE SPECIFIED DIMENSIONS ARE IN METRIC [INCHES] TOLERANCES ANGLES $\pm .5^\circ$ DECIMALS .XX $\pm .25$ [0.010] .X $\pm .5$ [0.020]	DRAWN R. F. A.	DATE 12/23/05	Tyco Electronics Corporation Menlo Park, Ca 94025	
	CHECKED		TITLE	
	APPROVED		USER INFORMATION AND MATED CONDITION	
	APPROVED		SIZE B	DWG NUMBER C = 1926018
	DCA APPROVED		ACAD FILE NUMBER C1926018B.DWG	DWG SCALE 1=1 SH 3 OF 3