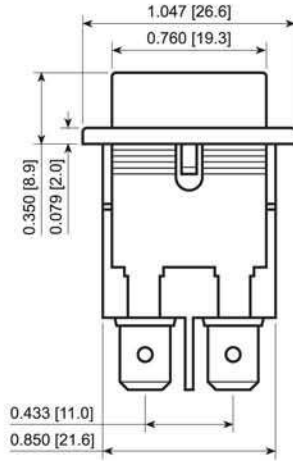
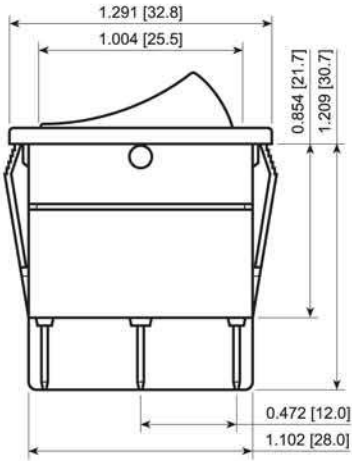


WB2 Series



FEATURES:

- High Ratings with UL and TUV Approvals
- Industry Standard 22mm x 30mm Cutout
- Internal Dust and Water Protection to IP55

SPECIFICATIONS:

RATING: *Maintained*

- 20A, 125/250VAC T65/T85 [cURus]
- 2.0HP, 125/250VAC [cURus]
- 18(12)A, 250VAC 5E4 T85 [TUV]

Momentary

- 20A, 125/250VAC T65/T85 [cURus]
- 1.5HP, 125/250VAC [cURus]
- 18(10)A, 250VAC 5E4 T85 [TUV]

TEMPERATURE: -20°C to 65°C Min.

CONTACT RESISTANCE: 50mΩ Max.

INSULATION RESISTANCE: 500MΩ Min. at 500VDC

DIELECTRIC STRENGTH: 1,500VAC for 1 Minute

INGRESS PROTECTION: IP55 Standard

MATERIALS:

Body: Polyamide 6/6

ACTUATOR: Polyamide 6/6

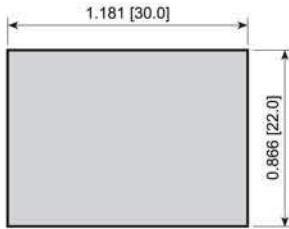
MOUNTING EARS: Polyamide 6/6

RUBBER SEAL: Ethylene Propylene

CONTACTS: Silver Alloy

TERMINALS: Silver Plated Brass

Panel Cutout



WB24D1121



WB246D1100

SPECIFICATIONS SUBJECT TO CHANGE WITHOUT NOTICE

| Series | Terminal | Function | Rating | Body Color | Actuator Color | Marking Color | Marking Type |
|--------|----------------|---|----------------|------------------------|-----------------------------------|------------------------------------|---|
| WB2 | 4 - 6.3mm Tabs | 1 Pole: D - (On)-Off-(On) 2 Pole: 2 - Off-On G - On-On E - Off-(On) H - On-(On) 6 - On-Off-On K - (On)-Off-(On) | D - 20A 125VAC | 1 - Black 2 - White | 1 - Black 2 - White 9 - Red | 0 - None 1 - Black 2 - White | 0 - None 1 - I/O Vert. 2 - ON/OFF/ON Vert. 3 - ON/OFF Vert. 4 - ON/OFF Horiz. 9 - I/O/II Vert. S - I/O/II Vert. R - I/O Horiz. |

Custom Colors and Markings Available Upon Request

EXAMPLE PART NUMBERS:

| | | |
|------------|------------------|-----------------------------------|
| WB242D1100 | 2P Off-On | Black Body/Actuator, No Marking |
| WB242D1121 | 2P Off-On | Black Body/Actuator, I/O Vert. |
| WB246D1100 | 2P On-Off-On | Black Body/Actuator, No Marking |
| WB246D112S | 2P On-Off-On | Black Body/Actuator, I/O/II Vert. |
| WB24ED1121 | 2P Off-(On) | Black Body/Actuator, No Marking |
| WB24GD1100 | 2P On-On | Black Body/Actuator, No Marking |
| WB24KD1100 | 2P (On)-Off-(On) | Black Body/Actuator, No Marking |



E-SWITCH®

www.e-switch.com

800.867.2717